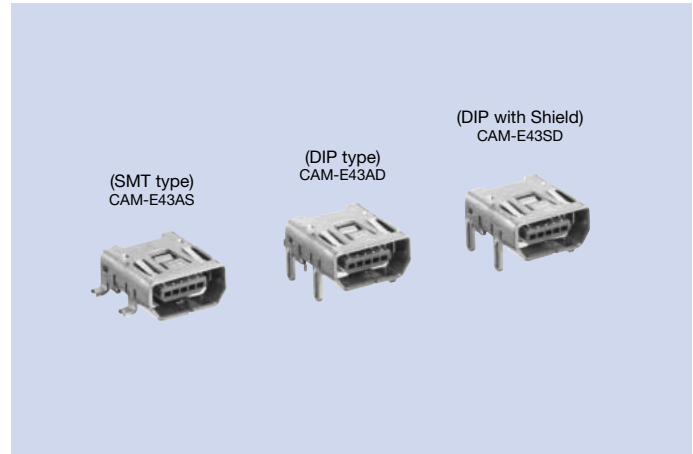


# USB Series "Mini-AB" Connectors

## CAM-E43AS · E43AD · E43SD

### FEATURES

1. Ultra-small size realized for 5 poles.  
Volume as compared to conventional Mitsumi product : 1/5  
Coupling projection area ratio : 1/4
2. It is the most suitable for connection with PC peripheral equipment with slim PCs, PDAs, mobile phones and so on.
3. Utilizes a sequential function that slides power supply and signal contact connection timing.
4. Couple/decouple reliability ensured for 5,000 times.
5. Weight : 0.6g
6. Supports USB 2.0 (on-the-Go).



### HOW TO ORDER

#### 1. CAM-E43AS

**E43AS-005-8604A**

1      2      3

- 1 Series No. (E43AS)
- 2 No. of contacts (005 : 5pins)
- 3 Running No. assigned by us

#### 2. CAM-E43AD

**E43AD-005-4965A**

1      2      3

- 1 Series No. (E43AD)
- 2 No. of contacts (005 : 5pins)
- 3 Running No. assigned by us

#### 3. CAM-E43SD

**E43SD-005-4966A**

1      2      3

- 1 Series No. (E43SD)
- 2 No. of contacts (005 : 5pins)
- 3 Running No. assigned by us

### SPECIFICATIONS

#### ELECTRICAL CHARACTERISTICS

Rated Voltage	AC 5V (rms)
Rated Current	1.0A
Withstanding Voltage	AC 100V (rms) 1minute
Insulation Resistance	100MΩ min. (AC500V)
Contact Resistance	50mΩmax.

#### MECHANICAL CHARACTERISTICS

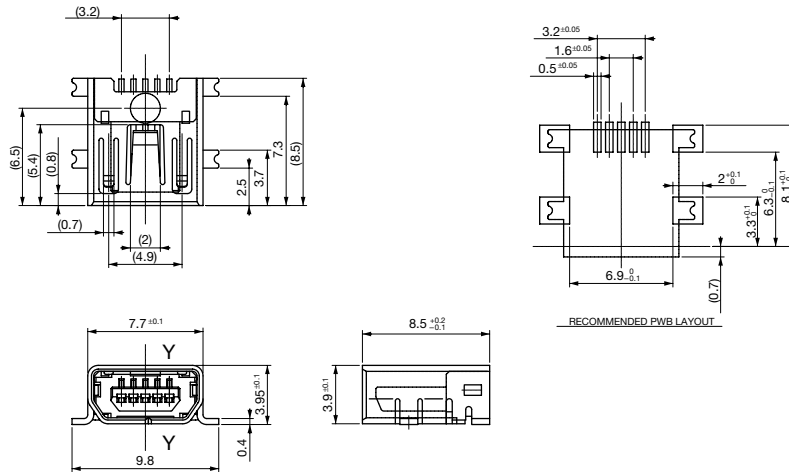
Life (Matching Cycle)	5000
Total Insertion Force	35N (3.57kgf) max.
Total Withdrawal Force	Beginning 7N (0.71kgf) min. After 5,000 times 3N (0.31kgf) min.

## MATERIAL & FINISH

Component Parts	Material	Finish
Housing	Thermo plastic	(Gray)
Contact	Copper Alloy	Gold plating/Solder plating
Shield Case	Copper Alloy	Solder plating

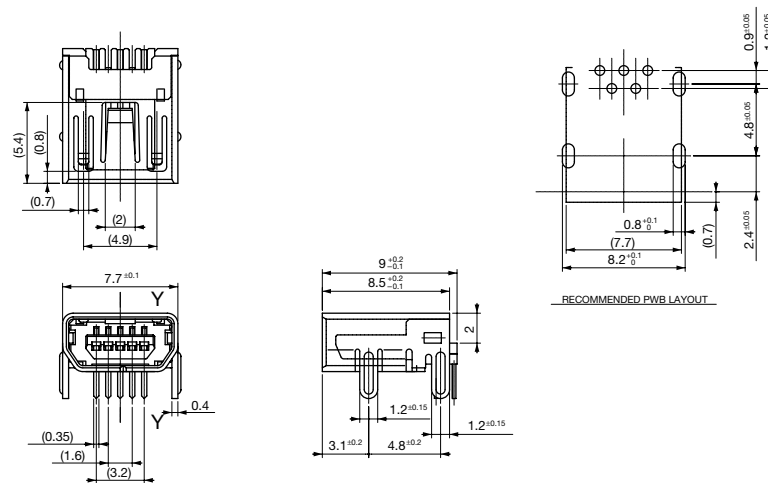
## DIMENSIONS

CAM-E43AS



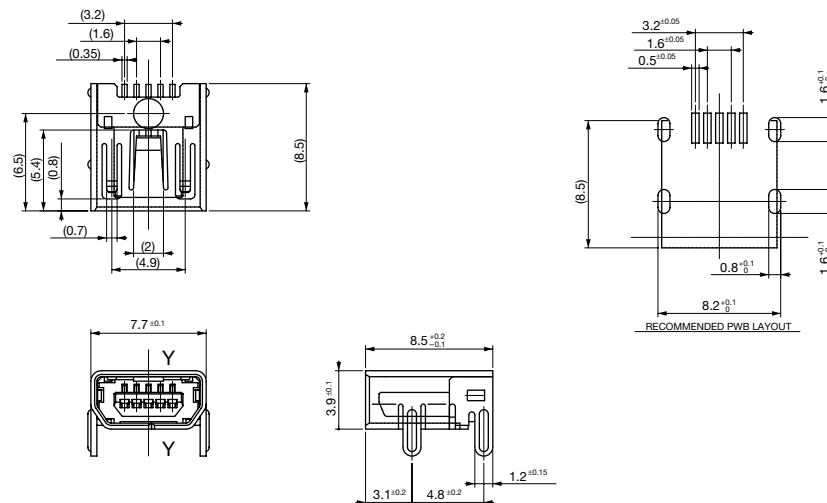
Unit : mm

CAM-E43AD



Unit : mm

CAM-E43SD



Unit : mm