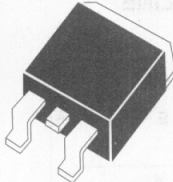


CSHDD16-40C
 CSHDD16-60C
 CSHDD16-100C

**SURFACE MOUNT
 SILICON SCHOTTKY RECTIFIERS
 DUAL, COMMON CATHODE
 16 AMP, 40 THRU 100 VOLTS**

**D²PAK!
 SUPER POWER**



D²PAK CASE

**CentralTM
 Semiconductor Corp.**

FEATURES:

- HIGH RELIABILITY
- HIGH CURRENT CAPABILITY
- UL FLAMMABILITY CLASSIFICATION 94V-0
- LOW POWER LOSS, HIGH EFFICIENCY
- LOW FORWARD VOLTAGE
- HIGH SURGE CAPACITY
- SUPERIOR LOT TO LOT CONSISTENCY
- HIGH VOLTAGE

DESCRIPTION:

The CENTRAL SEMICONDUCTOR CSHDD16-40C Series types are Silicon Schottky Rectifiers designed for surface mount fast switching applications requiring a low forward voltage drop. To order devices on 24mm Tape and Reel (800/13" Reel), add TR13 suffix to part number.

MARKING CODE: FULL PART NUMBER

MAXIMUM RATINGS: (T_C=25°C unless otherwise noted)

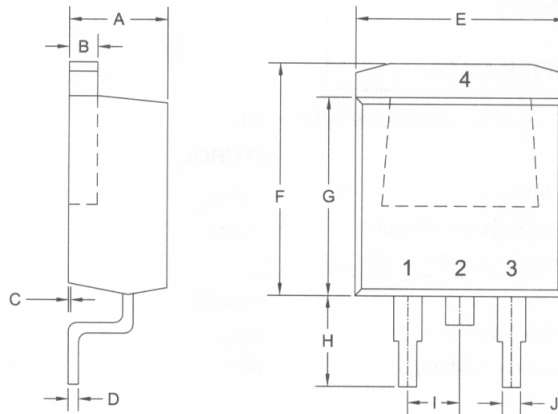
	SYMBOL	CSHDD16	CSHDD16	CSHDD16	UNITS
		-40C	-60C	-100C	
Peak Repetitive Reverse Voltage	V _{RRM}	40	60	100	V
DC Blocking Voltage	V _R	40	60	100	V
RMS Reverse Voltage	V _{R(RMS)}	26	42	80	V
Average Forward Current (T _C =90°C)	I _O		16		A
Peak Forward Surge Current (8.3ms)	I _{FSM}		150		A
Critical Rate of Rise of Reverse Voltage	dv/dt		10,000		V/μs
Operating and Storage					
Junction Temperature	T _J , T _{stg}		-65 to +150		°C
Typical Thermal Resistance	θ _{JC}		2.0		°C/W
Typical Thermal Resistance	θ _{JA}		50		°C/W

ELECTRICAL CHARACTERISTICS PER DIODE: (T_C=25°C unless otherwise noted)

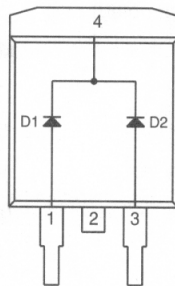
SYMBOL	TEST CONDITIONS	CSHDD16		CSHDD16		CSHDD16		UNITS
		-40C		-60C		-100C		
		TYP	MAX	TYP	MAX	TYP	MAX	
I _R	V _R =Rated V _{RRM}		100		100		100	μA
I _R	V _R =Rated V _{RRM} , T _C = 125°C		15		15		15	mA
V _F	I _F =8.0A		0.65		0.75		0.85	V
V _F	I _F =8.0A, T _C = 125°C		0.57		0.65		0.75	V
V _F	I _F =16A		0.84		0.95		1.10	V
V _F	I _F =16A, T _C = 125°C		0.72		0.85		1.00	V
C _J	V _R =4.0V, f=1.0MHz	300		300		300		pF

**SURFACE MOUNT
SILICON SCHOTTKY RECTIFIERS
DUAL, COMMON CATHODE
16 AMP, 40 THRU 100 VOLTS**

D²PAK CASE - MECHANICAL OUTLINE



R1



SYMBOL	DIMENSIONS			
	INCHES		MILLIMETERS	
	MIN	MAX	MIN	MAX
A	0.173	0.189	4.39	4.80
B	0.047	0.055	1.19	1.40
C	± 0.012		± 0.30	
D	0.011	0.026	0.28	0.66
E	0.387	0.409	9.83	10.39
F	0.378	0.418	9.60	10.62
G	0.335	0.357	8.51	9.07
H	0.197	0.236	5.00	5.99
I	0.092	0.108	2.34	2.74
J	-	0.035	-	0.89

D2PAK (REV: R1)

LEAD CODE:

- 1) ANODE D1
- 2) CATHODE D1,D2
- 3) ANODE D2
- 4) CATHODE D1,D2

PIN 2 IS COMMON TO THE TAB(4)

MARKING CODE: FULL PART NUMBER

DATA
SHEETS