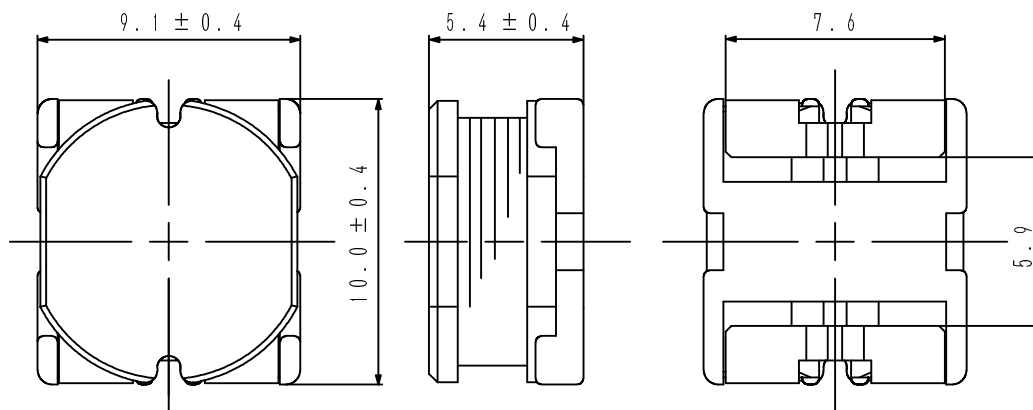
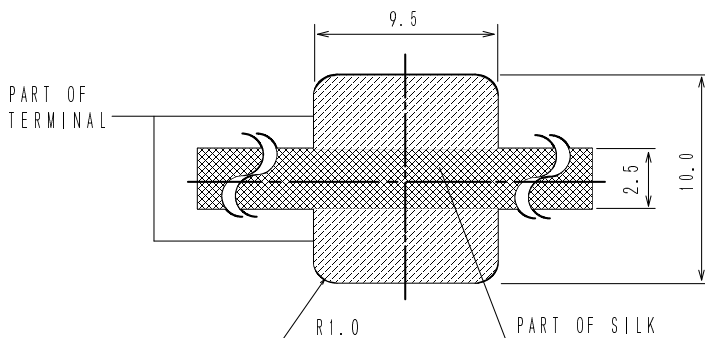


Type: CR105
◆ Product Description

- 10.4×9.5mm Max.(L×W), 5.8mm Max. Height.
- Inductance range: 1.8~820 μ H.
- Rated current range: 0.24~6.0A.
- In addition to the standard versions of inductors shown here, custom inductors are available to meet your exact requirements.


◆ Feature

- Magnetically unshielded construction.
- Storage temperature range: -40°C ~+100°C.
- Operating temperature range: -40°C ~+100°C (Including coil's self temperature rise).
- Ideally used in Projector, PDA, DSC/DVC, Game Machine, DVD, STB, Notebook PC etc as DC-DC converter inductors.
- RoHS compliance.

◆ Dimensions (mm)

◆ Land Pattern (mm)


Type: CR105
◆ Specification

Part Name ※	Stamp	Inductance (μ H) ※ 1	D.C.R. (Ω) [MAX.] at 20°C	Rated Current (A) ※ 2	S.R.F. (MHz) [REF.]
CR105NP-1R8M□	1R8M	1.8 \pm 20%	13.0m	6.0	91.0
CR105NP-2R5M□	2R5M	2.5 \pm 20%	15.6m	5.5	67.6
CR105NP-3R3M□	3R3M	3.3 \pm 20%	18.2m	5.0	54.8
CR105NP-4R2M□	4R2M	4.2 \pm 20%	20.8m	4.5	46.4
CR105NP-5R1M□	5R1M	5.1 \pm 20%	23.4m	4.0	40.7
CR105NP-6R3M□	6R3M	6.3 \pm 20%	26.0m	3.6	34.4
CR105NP-7R5M□	7R5M	7.5 \pm 20%	28.6m	3.3	32.9
CR105NP-8R6M□	8R6M	8.6 \pm 20%	32.5m	3.0	30.1
CR105NP-100M□	100M	10 \pm 20%	0.06	2.6	26.3
CR105NP-120M□	120M	12 \pm 20%	0.07	2.45	24.7
CR105NP-150M□	150M	15 \pm 20%	0.08	2.27	22.8
CR105NP-180M□	180M	18 \pm 20%	0.09	2.15	19.6
CR105NP-220M□	220M	22 \pm 20%	0.10	1.95	17.8
CR105NP-270M□	270M	27 \pm 20%	0.11	1.76	15.5
CR105NP-330M□	330M	33 \pm 20%	0.12	1.50	14.3
CR105NP-390M□	390M	39 \pm 20%	0.14	1.37	12.5
CR105NP-470K□	470K	47 \pm 10%	0.17	1.28	10.9
CR105NP-560K□	560K	56 \pm 10%	0.19	1.17	10.0
CR105NP-680K□	680K	68 \pm 10%	0.22	1.11	9.20
CR105NP-820K□	820K	82 \pm 10%	0.25	1.00	8.50
CR105NP-101K□	101K	100 \pm 10%	0.35	0.97	7.20
CR105NP-121K□	121K	120 \pm 10%	0.40	0.89	7.00
CR105NP-151K□	151K	150 \pm 10%	0.47	0.78	6.30
CR105NP-181K□	181K	180 \pm 10%	0.63	0.72	5.50
CR105NP-221K□	221K	220 \pm 10%	0.73	0.66	5.10
CR105NP-271K□	271K	270 \pm 10%	0.97	0.57	4.50
CR105NP-331K□	331K	330 \pm 10%	1.15	0.52	3.90
CR105NP-391K□	391K	390 \pm 10%	1.30	0.48	3.70
CR105NP-471K□	471K	470 \pm 10%	1.48	0.42	3.50
CR105NP-561K□	561K	560 \pm 10%	1.90	0.33	3.20
CR105NP-681K□	681K	680 \pm 10%	2.25	0.28	2.70
CR105NP-821K□	821K	820 \pm 10%	2.55	0.24	2.60

Please refer to the sales offices on our website for a representative near you

Type: CR105
※ Description of part name

CR105NP-1R8M□
 └─ B Box
 └─ C Carrier Tape

- ※ 1. Measuring frequency: 1.8 μ H \sim 8.6 μ H ; at 7.96 MHz
 10 μ H \sim 82 μ H ; at 2.52 MHz
 100 μ H \sim 820 μ H ; at 1 kHz

- ※ 2. Rated current: The D.C. current at which the inductance decreases to 90% of it's initial value or when $\Delta t=40^{\circ}\text{C}$, whichever is lower ($T_a=20^{\circ}\text{C}$).