

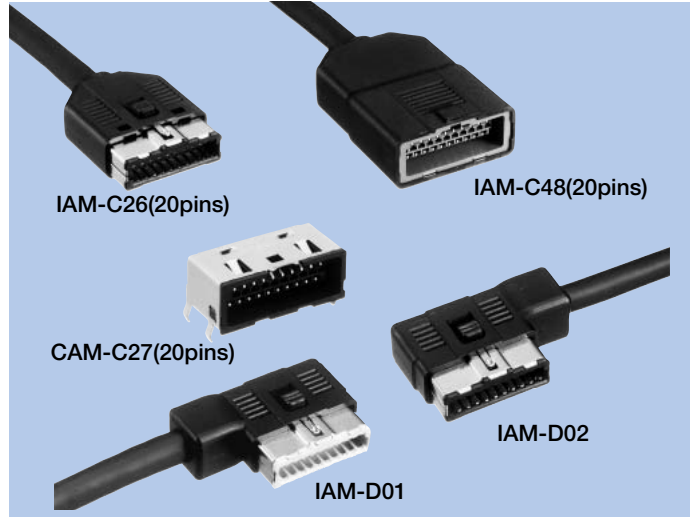
# Rectangular Connectors

## IAM-C26 · D01 · D02 · C48, CAM-C27 · C68

Connectors

### FEATURES

1. These are external interface connectors for 20 pins. IAM-C26 a cable assembly straight type plug. IAM-D01 and D02 are cable assembly type L plugs (D01 : right out ; D02 : left out). IAM-C48 is a junction socket. There are two types of sockets: CAM-C27, the angle dip type, and CAM-C68, the angle SMT type.
2. The coupling/decoupling cycle life is 10,000 times and a one-touch locking mechanism is used. The unit is also thin and the area occupied by the circuit board is small. Occupation ratio : Approx. 63% (MITSUMI comparison).



### HOW TO ORDER

**1. IAM-C26**

**C26-020-2420**

1      2      3      4

- 1 Series No.
- 2 No. of contacts (020 : 20pins)
- 3 Product Specifications
- 4 Housing Color (A : Black, B : Sky blue, C : Green)

**2. IAM-D01**

**D01-020-2063**

1      2      3      4

- 1 Series No.
- 2 No. of contacts (020 : 20pins)
- 3 Running No. assigned by us
- 4 Housing Color (A : Black, B : Sky blue, C : Green)

**3. IAM-D02**

**D02-020-2022**

1      2      3      4

- 1 Series No.
- 2 No. of contacts (020 : 20pins)
- 3 Running No. assigned by us
- 4 Housing Color (A : Black, B : Sky blue, C : Green)

**4. IAM-C48**

**C48-020-2541A**

1      2      3

- 1 Series No.
- 2 No. of contacts (020 : 20pins)
- 3 Running No. assigned by us

\*The connector shape and color are Type E (color : gray) and connects with all types of IAM-C26, D01 and D02.

5. CAM-C27

**C27-020-020-BGBAA**

1      2                      3

- 1 Series No.
- 2 No. of contacts (020 : 20pins)
- 3 Connector style (A : Black, B : Sky blue, C : Green)

6. CAM-C68

**C68-020-050-BGBAA**

1      2                      3

- 1 Series No.
- 2 No. of contacts (020 : 20pins)
- 3 Connector style (A : Black, B : Sky blue, C : Green)

## SPECIFICATIONS

### ELECTRICAL CHARACTERISTICS

Rated Voltage	14V DC
Rated Current	1A
Withstanding Voltage	AC 500V (rms) 1minute
Insulation Resistance	100MΩ min. (at 500V DC)
Contact Resistance	100mΩ max.

### MECHANICAL CHARACTERISTICS

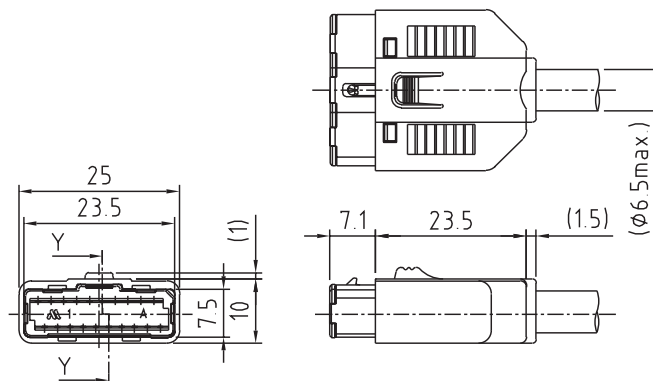
Life (Matching Cycle)	10,000 times
Total Insertion Force	29.4N (3kgf) min.
Total Withdrawal Force	1.96~29.4N (0.2~3kgf)
Using Temperature Range	-30~+85°C

## MATERIAL & FINISH

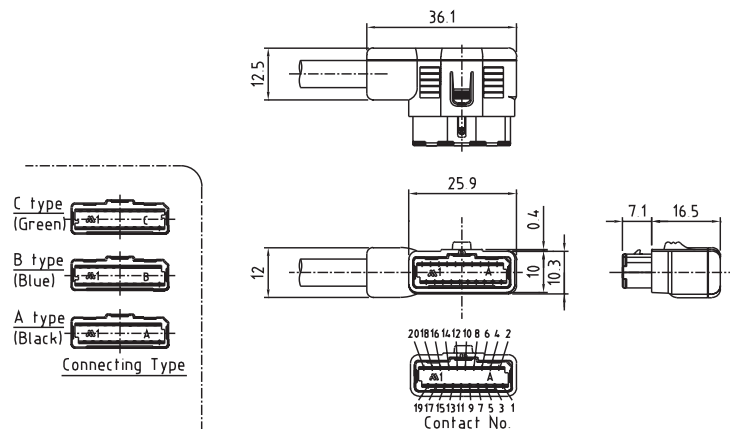
Component Parts		Material	Finish
IAM-C26• D01•D02	Housing	PBT resin	—
	Contact	Copper Alloy	Gold plating
	Shielded Case	Steel	Nickel plating
	Case	PBT resin	—
	Locks	Copper Alloy	Nickel plating
	Cord Clamper	Aluminum	—
CAM-C48	Housing	PBT resin	—
	Contact	Copper Alloy	Gold plating
	Rely Contact	Copper Alloy	Tin reflow plating
	Shielded Case	Copper Alloy · Steel	Tin reflow plating · Nickel plating
	Case	PBT resin	—
	Cord Clamper	Aluminum	—
CAM-C27	Housing	PBT resin	—
	Contact	Copper Alloy	Gold plating
	Shielded Case	Copper Alloy	Tin reflow plating
CAM-C68	Housing	46 Nylon resin	—
	Contact	Copper Alloy	Gold plating
	Shielded Case	Copper Alloy	Tin reflow plating

## DIMENSIONS

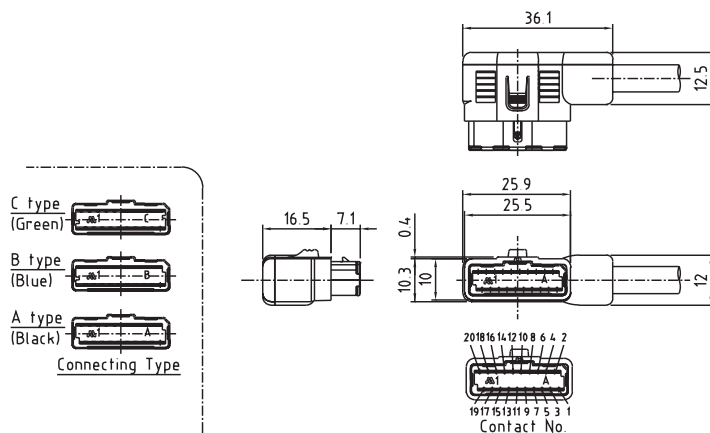
IAM-C26 (20pins)



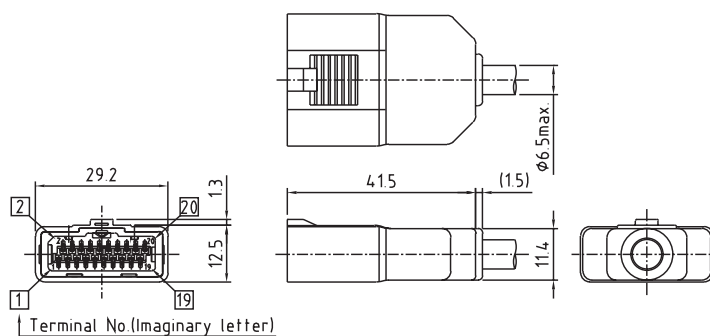
IAM-D01



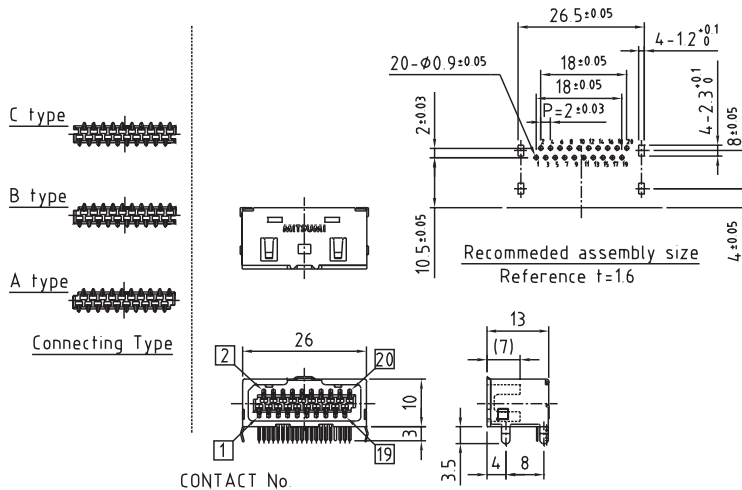
IAM-D02



IAM-C48 (20pins)



CAM-C27 (20pins)



CAM-C68

