

# 8,0mm Two-Screw Terminal Strip

## Description

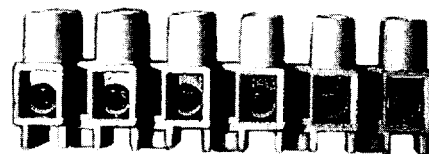
These Eurostyle® two-screw terminal strips provide safe, efficient and reliable wiring connections. The recessed screws and the fully enclosed design of the molding greatly reduces the danger of accidental contact with current-carrying parts and meets the requirements of the IEC Low Voltage Directive.

The most popular configuration includes standoffs on the base of the molding, raising the terminal block to facilitate wiring. The -L feature removes the standoffs to meet the requirements of height constrained applications.

The optional stainless steel wire protector is recommended for use with standard wire and smaller AWG solid wires. The strips are offered in 2 to 12 circuits.

## Features

- **Modular design.** Can be cut into smaller sections with an utility knife. Maintains center-to-center spacing when installed end to end. Mounting holes are provided between every circuit.
- **Dead front construction.** Both screws and terminals are recessed to avoid shock hazard. Allows closer mounting to components. Also allows installation of connector where space is limited.
- **Captive wire protectors** (option) hold wire firmly in place. They maintain the integrity of the wire and the electrical connection while increasing pull-out strength.



## PRODUCT RATINGS

<b>UL</b>	Class B	10 Amps @ 250 V 12 AWG
	Class C	10 Amps @ 300 V 12 AWG
<b>CSA</b>	Class B	10 Amps @ 300 V 12 AWG
	Class C	10 Amps @ 300 V 12 AWG

## SAFETY AGENCIES

<b>UL</b>	File No. E82573
	Guide No. XCFR2
<b>CSA</b>	File No. 25562

## TECHNICAL SPECIFICATIONS

<b>ELECTRICAL</b>	
DWV	>5000 VDC
IR	>3 x 10 <sup>6</sup> Megohms

<b>MECHANICAL</b>	
Tightening torque	4 in.-lbs.
Wire range	12 to 24 AWG

<b>ENVIRONMENTAL</b>	
Operating temp	110°C

## MATERIALS

Insulator	Nylon 6.6, UL94V-2, white
Inserts	Brass, chemically tinned
Wire protector	18/18 stainless band steel
Screws	Zinc-plated steel
Terminals	Nickel-plated brass

## OPTIONS

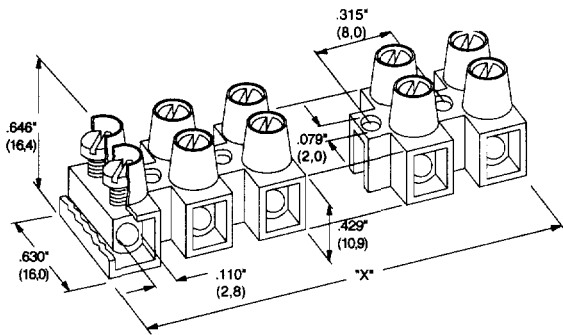
-L	Low profile
-10A	Imprinting
-151	Wire protector

## HOW TO ORDER

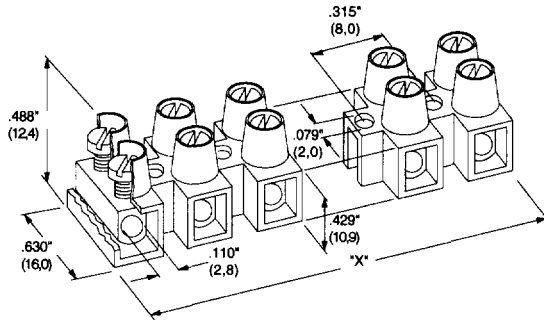
C	1	5	X	X	X	X
SERIES			NO. OF POLES		OPTIONS	
			2 to 12		(Dash #'s above)	

Molex Industrial Division  
 New England Operations  
 Gilford, NH 03246-6600  
 Phone (603) 524-5101  
 Fax (603) 524-1627  
 Internet www.beauint.com

**With Standoffs**



**Low Profile (-L option)**



No. of	A	
Circuits	in	mm
02	.54	13,8
03	.86	21,8
04	1.17	29,8
05	1.49	37,8
06	1.80	45,8
07	2.12	53,8
08	2.43	61,8
09	2.75	69,8
10	3.06	77,8
11	3.38	85,8
12	3.69	93,8

No. of	A	
Circuits	in	mm
02	.54	13,8
03	.86	21,8
04	1.17	29,8
05	1.49	37,8
06	1.80	45,8
07	2.12	53,8
08	2.43	61,8
09	2.75	69,8
10	3.06	77,8
11	3.38	85,8
12	3.69	93,8