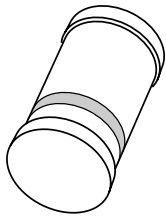


DATA SHEET



BZD27 series Voltage regulator diodes

Product specification
Supersedes data of October 1991

1996 Jun 10

Voltage regulator diodes

BZD27 series

FEATURES

- Glass passivated
- High maximum operating temperature
- Low leakage current
- Excellent stability
- Zener working voltage range: 3.6 to 270 V for 46 types
- Transient suppressor stand-off voltage range: 6.2 to 430 V for 45 types
- Supplied in 8 mm embossed tape.

DESCRIPTION

Cavity free cylindrical glass SOD87 package through Implotec™(1) technology. This package is

hermetically sealed and fatigue free as coefficients of expansion of all used parts are matched.

(1) Implotec is a trademark of Philips.

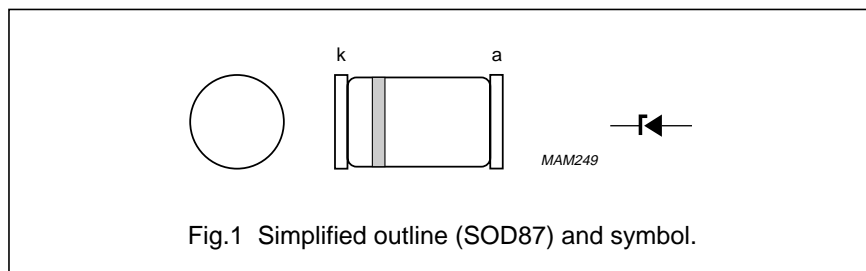


Fig.1 Simplified outline (SOD87) and symbol.

LIMITING VALUES

In accordance with the Absolute Maximum Rating System (IEC 134).

| SYMBOL | PARAMETER | CONDITIONS | MIN. | MAX. | UNIT |
|------------------|---|--|------|------|------|
| P _{tot} | total power dissipation | T _{tp} = 105 °C; see Figs 2 and 3 | | | |
| | BZD27-C3V6 to -C6V8 | | – | 1.7 | W |
| | BZD27-C7V5 to -C510 | | – | 2.3 | W |
| P _{tot} | total power dissipation | PCB mounted (see Fig.7) | | | |
| | BZD27-C3V6 to -C6V8 | T _{amb} = 60 °C; see Fig.2 | – | 0.8 | W |
| | BZD27-C7V5 to -C510 | T _{amb} = 55 °C; see Fig.3 | – | 0.8 | W |
| P _{ZSM} | non-repetitive peak reverse power dissipation | t _p = 100 μs; square pulse; T _j = 25 °C prior to surge; see Figs.4 and 5 | | | |
| | BZD27-C3V6 to -C6V8 | | – | 300 | W |
| | BZD27-C7V5 to -C510 | | – | 300 | W |
| P _{RSM} | non-repetitive peak reverse power dissipation | 10/1000 μs exponential pulse (see Fig.8); T _j = 25 °C prior to surge | | | |
| | BZD27-C7V5 to -C510 | | – | 150 | W |
| T _{stg} | storage temperature | | | | |
| | BZD27-C3V6 to -C6V8 | | –65 | +200 | °C |
| | BZD27-C7V5 to -C510 | | –65 | +175 | °C |
| T _j | junction temperature | | | | |
| | BZD27-C3V6 to -C6V8 | | –65 | +200 | °C |
| | BZD27-C7V5 to -C510 | | –65 | +175 | °C |

Voltage regulator diodes

BZD27 series

ELECTRICAL CHARACTERISTICS

Total series

$T_j = 25\text{ }^\circ\text{C}$ unless otherwise specified.

| SYMBOL | PARAMETER | CONDITIONS | MIN. | MAX. | UNIT |
|--------|-----------------|----------------------------------|------|------|------|
| V_F | forward voltage | $I_F = 0.2\text{ A}$; see Fig.6 | – | 1.2 | V |

Per type when used as voltage regulator diodes

$T_j = 25\text{ }^\circ\text{C}$ unless otherwise specified.

| TYPE No. SUFFIX (1) | WORKING VOLTAGE | | | DIFFERENTIAL RESISTANCE | | TEMPERATURE COEFFICIENT | | TEST CURRENT I_Z (mA) | REVERSE CURRENT at REVERSE VOLTAGE | |
|------------------------------|--------------------|------|------|---------------------------------|------|----------------------------|-------|-------------------------------|---------------------------------------|-----------|
| | V_Z (V) at I_Z | | | r_{dif} (Ω) at I_Z | | S_Z (%/K) at I_Z | | | I_R (μA) | V_R (V) |
| | MIN. | NOM. | MAX. | TYP. | MAX. | MIN. | MAX. | MAX. | | |
| C3V6 | 3.4 | 3.6 | 3.8 | 4 | 8 | -0.14 | -0.04 | 100 | 100 | 1 |
| C3V9 | 3.7 | 3.9 | 4.1 | 4 | 8 | -0.14 | -0.04 | 100 | 50 | 1 |
| C4V3 | 4.0 | 4.3 | 4.6 | 4 | 7 | -0.12 | -0.02 | 100 | 25 | 1 |
| C4V7 | 4.4 | 4.7 | 5.0 | 3 | 7 | -0.10 | 0.00 | 100 | 10 | 1 |
| C5V1 | 4.8 | 5.1 | 5.4 | 3 | 6 | -0.08 | -0.02 | 100 | 5 | 1 |
| C5V6 | 5.2 | 5.6 | 6.0 | 2 | 4 | -0.04 | 0.04 | 100 | 10 | 2 |
| C6V2 | 5.8 | 6.2 | 6.6 | 2 | 3 | -0.01 | 0.06 | 100 | 5 | 2 |
| C6V8 | 6.4 | 6.8 | 7.2 | 1 | 3 | 0.00 | 0.07 | 100 | 10 | 3 |
| C7V5 | 7.0 | 7.5 | 7.9 | 1 | 2 | 0.00 | 0.07 | 100 | 50 | 3 |
| C8V2 | 7.7 | 8.2 | 8.7 | 1 | 2 | 0.03 | 0.08 | 100 | 10 | 3 |
| C9V1 | 8.5 | 9.1 | 9.6 | 2 | 4 | 0.03 | 0.08 | 50 | 10 | 5 |
| C10 | 9.4 | 10 | 10.6 | 2 | 4 | 0.05 | 0.09 | 50 | 7 | 7.5 |
| C11 | 10.4 | 11 | 11.6 | 4 | 7 | 0.05 | 0.10 | 50 | 4 | 8.2 |
| C12 | 11.4 | 12 | 12.7 | 4 | 7 | 0.05 | 0.10 | 50 | 3 | 9.1 |
| C13 | 12.4 | 13 | 14.1 | 5 | 10 | 0.05 | 0.10 | 50 | 2 | 10 |
| C15 | 13.8 | 15 | 15.6 | 5 | 10 | 0.05 | 0.10 | 50 | 1 | 11 |
| C16 | 15.3 | 16 | 17.1 | 6 | 15 | 0.06 | 0.11 | 25 | 1 | 12 |
| C18 | 16.8 | 18 | 19.1 | 6 | 15 | 0.06 | 0.11 | 25 | 1 | 13 |
| C20 | 18.8 | 20 | 21.2 | 6 | 15 | 0.06 | 0.11 | 25 | 1 | 15 |
| C22 | 20.8 | 22 | 23.3 | 6 | 15 | 0.06 | 0.11 | 25 | 1 | 16 |
| C24 | 22.8 | 24 | 25.6 | 7 | 15 | 0.06 | 0.11 | 25 | 1 | 18 |
| C27 | 25.1 | 27 | 28.9 | 7 | 15 | 0.06 | 0.11 | 25 | 1 | 20 |
| C30 | 28 | 30 | 32 | 8 | 15 | 0.06 | 0.11 | 25 | 1 | 22 |
| C33 | 31 | 33 | 35 | 8 | 15 | 0.06 | 0.11 | 25 | 1 | 24 |
| C36 | 34 | 36 | 38 | 21 | 40 | 0.06 | 0.11 | 10 | 1 | 27 |
| C39 | 37 | 39 | 41 | 21 | 40 | 0.06 | 0.11 | 10 | 1 | 30 |
| C43 | 40 | 43 | 46 | 24 | 45 | 0.07 | 0.12 | 10 | 1 | 33 |
| C47 | 44 | 47 | 50 | 24 | 45 | 0.07 | 0.12 | 10 | 1 | 36 |

Voltage regulator diodes

BZD27 series

| TYPE No. SUFFIX (1) | WORKING VOLTAGE | | | DIFFERENTIAL RESISTANCE | | TEMPERATURE COEFFICIENT | | TEST CURRENT | REVERSE CURRENT at REVERSE VOLTAGE | |
|------------------------------|--------------------------------------|------|------|---|------|--|------|---------------------|---------------------------------------|--------------------|
| | V _Z (V) at I _Z | | | r _{diff} (Ω) at I _Z | | S _Z (%/K) at I _Z | | I _Z (mA) | I _R (μA) | V _R (V) |
| | MIN. | NOM. | MAX. | TYP. | MAX. | MIN. | MAX. | | MAX. | |
| C51 | 48 | 51 | 54 | 25 | 60 | 0.07 | 0.12 | 10 | 1 | 39 |
| C56 | 52 | 56 | 60 | 25 | 60 | 0.07 | 0.12 | 10 | 1 | 43 |
| C62 | 58 | 62 | 66 | 25 | 80 | 0.08 | 0.13 | 10 | 1 | 47 |
| C68 | 64 | 68 | 72 | 25 | 80 | 0.08 | 0.13 | 10 | 1 | 51 |
| C75 | 70 | 75 | 79 | 30 | 100 | 0.08 | 0.13 | 10 | 1 | 56 |
| C82 | 77 | 82 | 87 | 30 | 100 | 0.08 | 0.13 | 10 | 1 | 62 |
| C91 | 85 | 91 | 96 | 60 | 200 | 0.09 | 0.13 | 5 | 1 | 68 |
| C100 | 94 | 100 | 106 | 60 | 200 | 0.09 | 0.13 | 5 | 1 | 75 |
| C110 | 104 | 110 | 116 | 80 | 250 | 0.09 | 0.13 | 5 | 1 | 82 |
| C120 | 114 | 120 | 127 | 80 | 250 | 0.09 | 0.13 | 5 | 1 | 91 |
| C130 | 124 | 130 | 141 | 110 | 300 | 0.09 | 0.13 | 5 | 1 | 100 |
| C150 | 138 | 150 | 156 | 130 | 300 | 0.09 | 0.13 | 5 | 1 | 110 |
| C160 | 153 | 160 | 171 | 150 | 350 | 0.09 | 0.13 | 5 | 1 | 120 |
| C180 | 168 | 180 | 191 | 180 | 400 | 0.09 | 0.13 | 5 | 1 | 130 |
| C200 | 188 | 200 | 212 | 200 | 500 | 0.09 | 0.13 | 5 | 1 | 150 |
| C220 | 208 | 220 | 233 | 350 | 750 | 0.09 | 0.13 | 2 | 1 | 160 |
| C240 | 228 | 240 | 256 | 400 | 850 | 0.09 | 0.13 | 2 | 1 | 180 |
| C270 | 251 | 270 | 289 | 450 | 1000 | 0.09 | 0.13 | 2 | 1 | 200 |

Note

1. To complete the type number the suffix is added to the basic type number, e.g. BZD27-C51.

Voltage regulator diodes

BZD27 series

Per type when used as transient suppressor diodes

 $T_j = 25\text{ }^\circ\text{C}$ unless otherwise specified.

| TYPE NUMBER | REVERSE BREAKDOWN VOLTAGE | TEMPERATURE COEFFICIENT | | TEST CURRENT | CLAMPING VOLTAGE | | REVERSE CURRENT at STAND-OFF VOLTAGE | |
|-------------|-------------------------------|---------------------------|------|-----------------|------------------|-------------------------|--------------------------------------|--------------|
| | $V_{(BR)R}$ (V) at I_{test} | S_z (%/K) at I_{test} | | I_{test} (mA) | $V_{(CL)R}$ (V) | at I_{RSM} (A) note 1 | I_R (μ A) | at V_R (V) |
| | MIN. | MIN. | MAX. | | MAX. | | MAX. | |
| BZD27-C7V5 | 7.0 | 0.00 | 0.07 | 100 | 11.3 | 13.3 | 1500 | 6.2 |
| BZD27-C8V2 | 7.7 | 0.03 | 0.08 | 100 | 12.3 | 12.2 | 1200 | 6.8 |
| BZD27-C9V1 | 8.5 | 0.03 | 0.08 | 50 | 13.3 | 11.3 | 100 | 7.5 |
| BZD27-C10 | 9.4 | 0.05 | 0.09 | 50 | 14.8 | 10.1 | 20 | 8.2 |
| BZD27-C11 | 10.4 | 0.05 | 0.10 | 50 | 15.7 | 9.6 | 5 | 9.1 |
| BZD27-C12 | 11.4 | 0.05 | 0.10 | 50 | 17.0 | 8.8 | 5 | 10 |
| BZD27-C13 | 12.4 | 0.05 | 0.10 | 50 | 18.9 | 7.9 | 5 | 11 |
| BZD27-C15 | 13.8 | 0.05 | 0.10 | 50 | 20.9 | 7.2 | 5 | 12 |
| BZD27-C16 | 15.3 | 0.06 | 0.11 | 25 | 22.9 | 6.6 | 5 | 13 |
| BZD27-C18 | 16.8 | 0.06 | 0.11 | 25 | 25.6 | 5.9 | 5 | 15 |
| BZD27-C20 | 18.8 | 0.06 | 0.11 | 25 | 28.4 | 5.3 | 5 | 16 |
| BZD27-C22 | 20.8 | 0.06 | 0.11 | 25 | 31.0 | 4.8 | 5 | 18 |
| BZD27-C24 | 22.8 | 0.06 | 0.11 | 25 | 33.8 | 4.4 | 5 | 20 |
| BZD27-C27 | 25.1 | 0.06 | 0.11 | 25 | 38.1 | 3.9 | 5 | 22 |
| BZD27-C30 | 28 | 0.06 | 0.11 | 25 | 42.2 | 3.6 | 5 | 24 |
| BZD27-C33 | 31 | 0.06 | 0.11 | 25 | 46.2 | 3.2 | 5 | 27 |
| BZD27-C36 | 34 | 0.06 | 0.11 | 10 | 50.1 | 3.0 | 5 | 30 |
| BZD27-C39 | 37 | 0.06 | 0.11 | 10 | 54.1 | 2.8 | 5 | 33 |
| BZD27-C43 | 40 | 0.07 | 0.12 | 10 | 60.7 | 2.5 | 5 | 36 |
| BZD27-C47 | 44 | 0.07 | 0.12 | 10 | 65.5 | 2.3 | 5 | 39 |
| BZD27-C51 | 48 | 0.07 | 0.12 | 10 | 70.8 | 2.1 | 5 | 43 |
| BZD27-C56 | 52 | 0.07 | 0.12 | 10 | 78.6 | 1.9 | 5 | 47 |
| BZD27-C62 | 58 | 0.08 | 0.13 | 10 | 86.5 | 1.7 | 5 | 51 |
| BZD27-C68 | 64 | 0.08 | 0.13 | 10 | 94.4 | 1.6 | 5 | 56 |
| BZD27-C75 | 70 | 0.08 | 0.13 | 10 | 103.5 | 1.5 | 5 | 62 |
| BZD27-C82 | 77 | 0.08 | 0.13 | 10 | 114 | 1.3 | 5 | 68 |
| BZD27-C91 | 85 | 0.09 | 0.13 | 5 | 126 | 1.2 | 5 | 75 |
| BZD27-C100 | 94 | 0.09 | 0.13 | 5 | 139 | 1.1 | 5 | 82 |
| BZD27-C110 | 104 | 0.09 | 0.13 | 5 | 152 | 1.0 | 5 | 91 |
| BZD27-C120 | 114 | 0.09 | 0.13 | 5 | 167 | 0.90 | 5 | 100 |
| BZD27-C130 | 124 | 0.09 | 0.13 | 5 | 185 | 0.81 | 5 | 110 |
| BZD27-C150 | 138 | 0.09 | 0.13 | 5 | 204 | 0.73 | 5 | 120 |
| BZD27-C160 | 153 | 0.09 | 0.13 | 5 | 224 | 0.67 | 5 | 130 |

Voltage regulator diodes

BZD27 series

| TYPE NUMBER | REVERSE BREAKDOWN VOLTAGE | TEMPERATURE COEFFICIENT | | TEST CURRENT | CLAMPING VOLTAGE | | REVERSE CURRENT at STAND-OFF VOLTAGE | |
|-------------|-------------------------------|---------------------------|------|-----------------|------------------|-------------------------|--------------------------------------|--------------|
| | $V_{(BR)R}$ (V) at I_{test} | S_z (%/K) at I_{test} | | I_{test} (mA) | $V_{(CL)R}$ (V) | at I_{RSM} (A) note 1 | I_R (μ A) | at V_R (V) |
| | MIN. | MIN. | MAX. | | MAX. | | MAX. | |
| BZD27-C180 | 168 | 0.09 | 0.13 | 5 | 249 | 0.60 | 5 | 150 |
| BZD27-C200 | 188 | 0.09 | 0.13 | 5 | 276 | 0.54 | 5 | 160 |
| BZD27-C220 | 208 | 0.09 | 0.13 | 2 | 305 | 0.50 | 5 | 180 |
| BZD27-C240 | 228 | 0.09 | 0.13 | 2 | 336 | 0.45 | 5 | 200 |
| BZD27-C270 | 251 | 0.09 | 0.13 | 2 | 380 | 0.40 | 5 | 220 |
| BZD27-C300 | 280 | 0.09 | 0.13 | 2 | 419 | 0.36 | 5 | 240 |
| BZD27-C330 | 310 | 0.09 | 0.13 | 2 | 459 | 0.33 | 5 | 270 |
| BZD27-C360 | 340 | 0.09 | 0.13 | 2 | 498 | 0.30 | 5 | 300 |
| BZD27-C390 | 370 | 0.09 | 0.13 | 2 | 537 | 0.28 | 5 | 330 |
| BZD27-C430 | 400 | 0.09 | 0.13 | 2 | 603 | 0.25 | 5 | 360 |
| BZD27-C470 | 440 | 0.09 | 0.13 | 2 | 655 | 0.23 | 5 | 390 |
| BZD27-C510 | 480 | 0.09 | 0.13 | 2 | 707 | 0.21 | 5 | 430 |

Note

1. Non-repetitive peak reverse current in accordance with "IEC 60-1, Section 8" (10/1000 μ s pulse); see Fig.8.

THERMAL CHARACTERISTICS

| SYMBOL | PARAMETER | CONDITIONS | VALUE | UNIT |
|----------------|---|------------|-------|------|
| $R_{th\ j-tp}$ | thermal resistance from junction to tie-point | | | |
| | BZD27-C3V6 to -C6V8 | | 55 | K/W |
| | BZD27-C7V5 to -C510 | | 30 | K/W |
| $R_{th\ j-a}$ | thermal resistance from junction to ambient | note 1 | | |
| | BZD27-C3V6 to -C6V8 | | 175 | K/W |
| | BZD27-C7V5 to -C510 | | 150 | K/W |

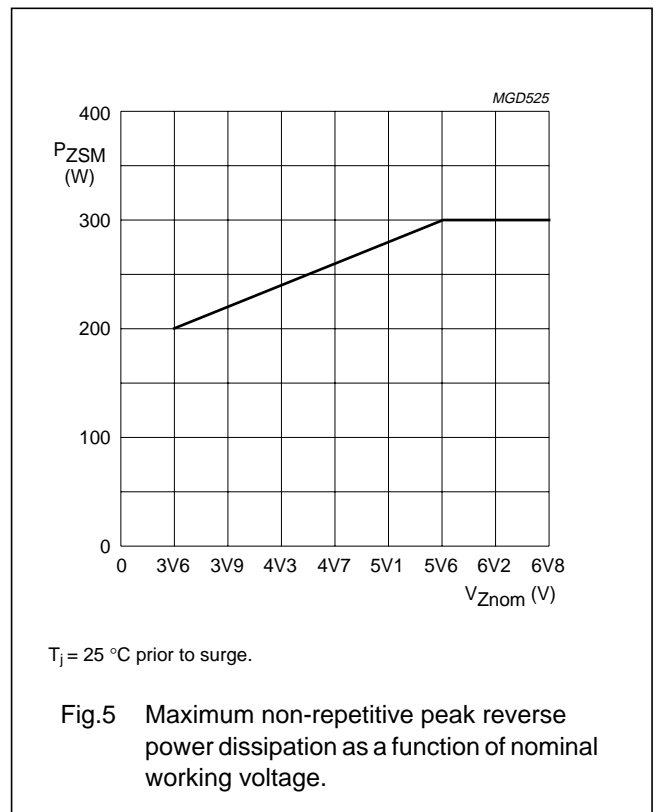
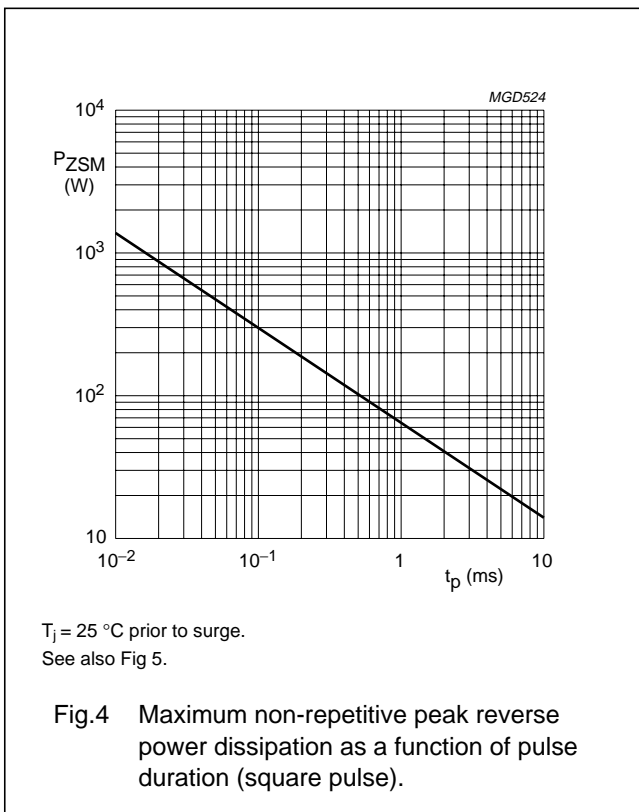
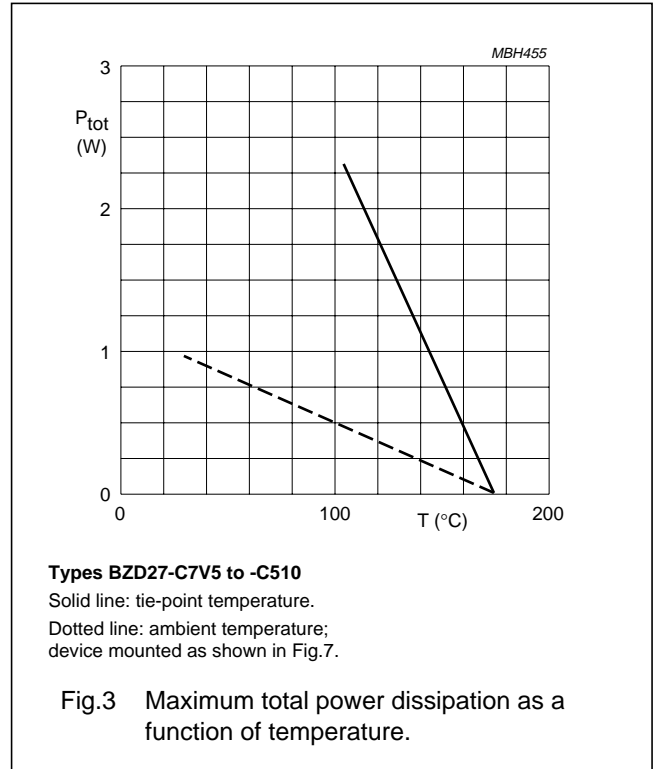
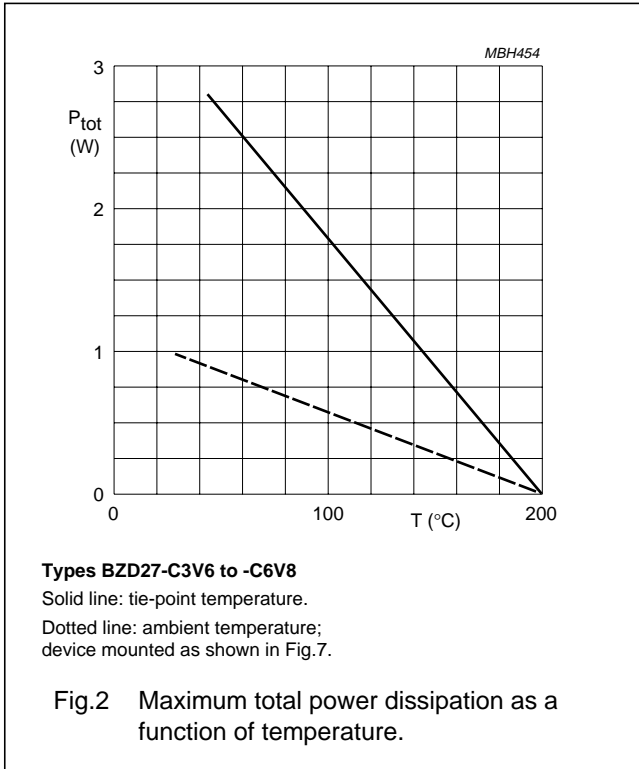
Note

1. Device mounted on an epoxy-glass printed-circuit board, 1.5 mm thick; thickness of Cu-layer $\geq 40\ \mu$ m, see Fig.7. For more information please refer to the "General Part of associated Handbook".

Voltage regulator diodes

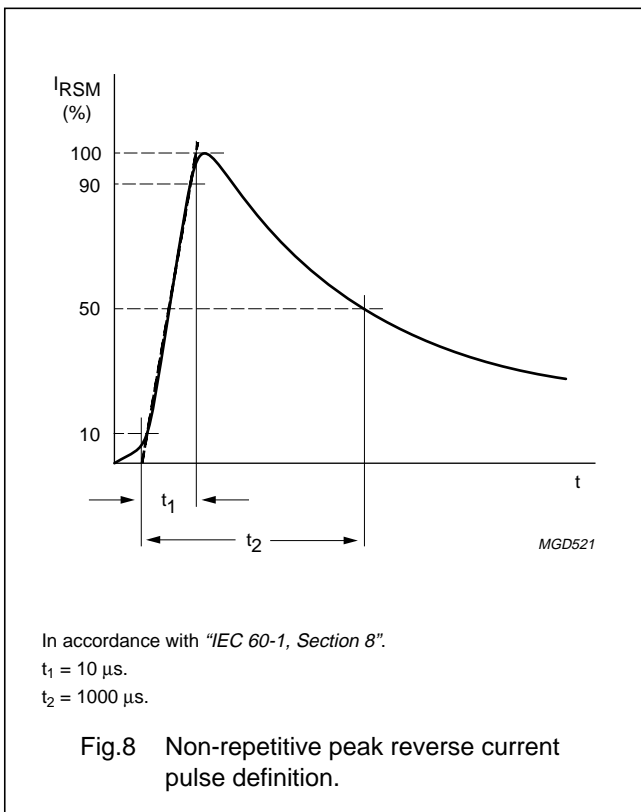
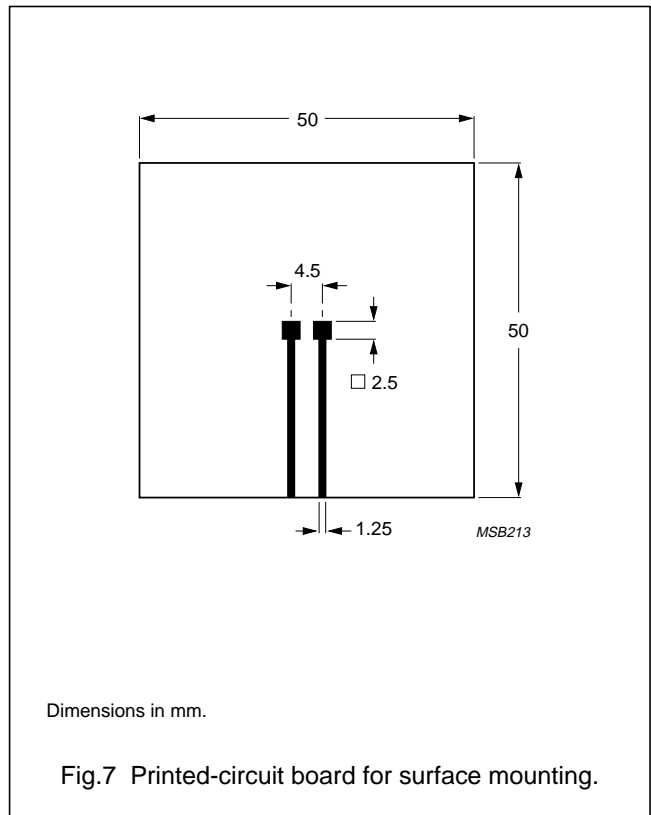
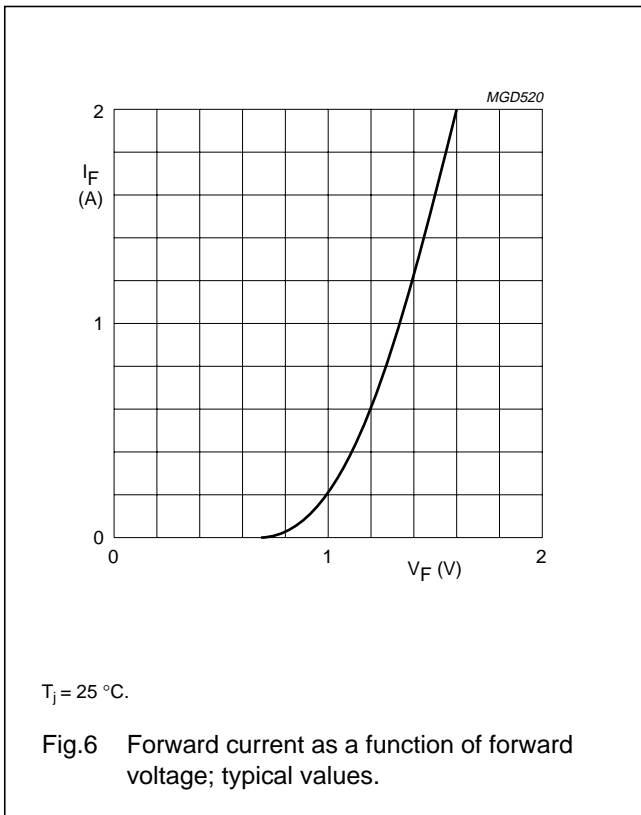
BZD27 series

GRAPHICAL DATA



Voltage regulator diodes

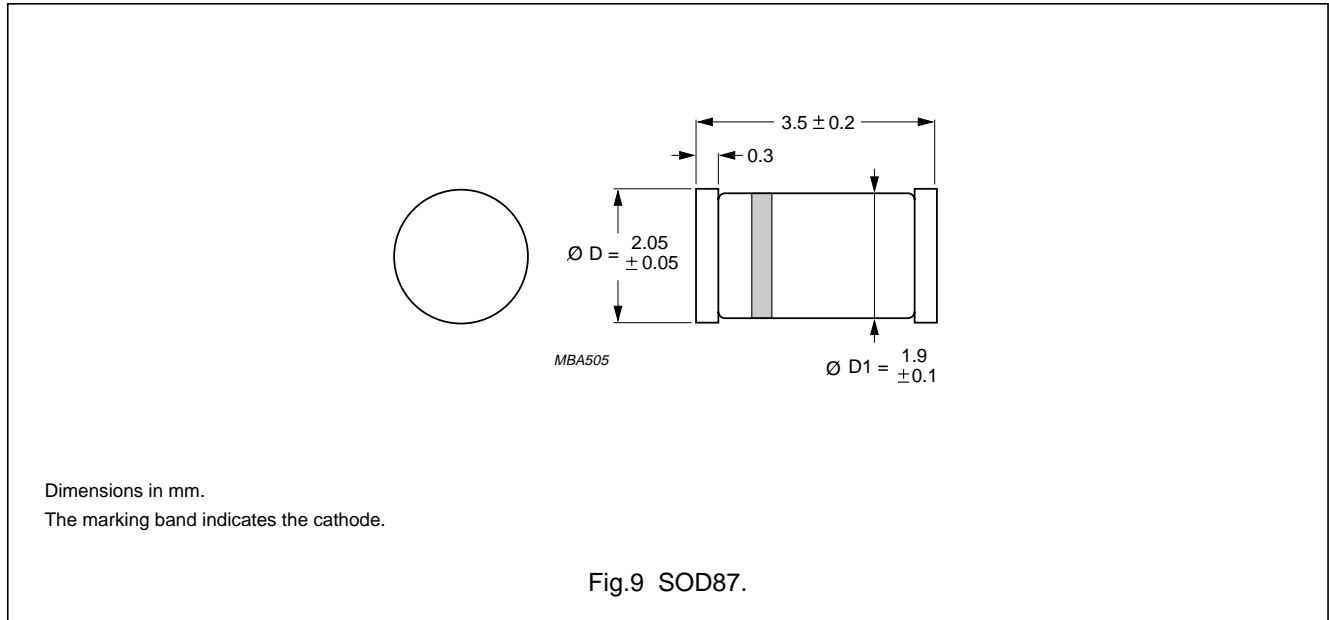
BZD27 series



Voltage regulator diodes

BZD27 series

PACKAGE OUTLINE



DEFINITIONS

| | |
|---|---|
| Data sheet status | |
| Objective specification | This data sheet contains target or goal specifications for product development. |
| Preliminary specification | This data sheet contains preliminary data; supplementary data may be published later. |
| Product specification | This data sheet contains final product specifications. |
| Limiting values | |
| Limiting values given are in accordance with the Absolute Maximum Rating System (IEC 134). Stress above one or more of the limiting values may cause permanent damage to the device. These are stress ratings only and operation of the device at these or at any other conditions above those given in the Characteristics sections of the specification is not implied. Exposure to limiting values for extended periods may affect device reliability. | |
| Application information | |
| Where application information is given, it is advisory and does not form part of the specification. | |

LIFE SUPPORT APPLICATIONS

These products are not designed for use in life support appliances, devices, or systems where malfunction of these products can reasonably be expected to result in personal injury. Philips customers using or selling these products for use in such applications do so at their own risk and agree to fully indemnify Philips for any damages resulting from such improper use or sale.

Select & Go...

Information as of 2000-08-21

- Catalog by Function
- Discrete semiconductors
 - Audio
 - Clocks and Watches
 - Data communications
 - Microcontrollers
 - Peripherals
 - Standard analog
 - Video
 - Wired communications
 - Wireless communications

BZD27 series; Voltage regulator diodes

- [Description](#)
- [Features](#)
- [Datasheet](#)
- [Products, packages, availability and ordering](#)
- [Find similar products](#)
-

- Catalog by System
- Automotive
 - Consumer Multimedia Systems
 - Communications
 - PC/PC-peripherals

Description

Cavity free cylindrical glass SOD87 package through Implotec™ (1) technology. This package is hermetically sealed and fatigue free as coefficients of expansion of all used parts are matched.

(1) Implotec is a trademark of Philips.

Cross reference

Models

Packages

Application notes

Selection guides

Other technical documentation

End of Life information

Datahandbook system

Features

- Glass passivated
- High maximum operating temperature
- Low leakage current
- Excellent stability
- Zener working voltage range: 3.6 to 270 V for 46 types
- Transient suppressor stand-off voltage range: 6.2 to 430 V for 45 types
- Supplied in 8 mm embossed tape.

Relevant Links

- About catalog tree
- About search
- About this site
- Subscribe to eNews
- Catalog & Datasheets
- Search
- [BZD27 series](#)
- [BZD27 series](#)

Datasheet

| Type nr. | Title | Publication release date | Datasheet status | Page count | File size (kB) | Datasheet |
|--------------|--------------------------|--------------------------|-----------------------|------------|----------------|---|
| BZD27 series | Voltage regulator diodes | 10-Jun-96 | Product Specification | 9 | 38 | <input type="checkbox"/> Download |



To be kept informed on BZD27 series, subscribe to eNews.

Products, packages, availability and ordering



| <u>Partnumber</u> | <u>North American Partnumber</u> | <u>Order code (12nc)</u> | <u>marking/packing</u> | <u>package</u> | <u>device status</u> | <u>buy online</u> |
|-------------------|----------------------------------|--------------------------|--|-----------------------|----------------------|--------------------------|
| BZD27-C10 | BZD27-C10 T/R | 9338 674 70115 | Standard Marking * Reel Pack, SMD | SOD87 | Full production | <input type="checkbox"/> |
| | BZD27-C10 /T3 | 9338 674 70135 | Standard Marking * Reel Pack, SMD, Large | SOD87 | Full production | <input type="checkbox"/> |
| BZD27-C10/MO | BZD27-C10/MO /T3 | 9340 503 50135 | Standard Marking * Reel Pack, SMD, Large | SOD87 | Full production | <input type="checkbox"/> |
| BZD27-C100 | BZD27-C100 /T3 | 9338 677 10135 | Standard Marking * Reel Pack, SMD, Large | SOD87 | Full production | <input type="checkbox"/> |
| BZD27-C11 | BZD27-C11 T/R | 9338 674 80115 | Standard Marking * Reel Pack, SMD | SOD87 | Full production | <input type="checkbox"/> |
| | BZD27-C11 /T3 | 9338 674 80135 | Standard Marking * Reel Pack, SMD, Large | SOD87 | Full production | <input type="checkbox"/> |
| BZD27-C110 | BZD27-C110 /T3 | 9338 677 20135 | Standard Marking * Reel Pack, SMD, Large | SOD87 | Full production | <input type="checkbox"/> |
| BZD27-C12 | BZD27-C12 T/R | 9338 674 90115 | Standard Marking * Reel Pack, SMD | SOD87 | Full production | <input type="checkbox"/> |
| | BZD27-C12 /T3 | 9338 674 90135 | Standard Marking * Reel Pack, SMD, Large | SOD87 | Full production | <input type="checkbox"/> |
| BZD27-C120 | BZD27-C120 /T3 | 9338 677 30135 | Standard Marking * Reel Pack, SMD, Large | SOD87 | Full production | <input type="checkbox"/> |
| BZD27-C13 | BZD27-C13 /T3 | 9338 675 00135 | Standard Marking * Reel Pack, SMD, Large | SOD87 | Full production | <input type="checkbox"/> |
| BZD27-C130 | BZD27-C130 /T3 | 9338 677 40135 | Standard Marking * Reel Pack, SMD, Large | SOD87 | Full production | <input type="checkbox"/> |
| BZD27-C15 | BZD27-C15 T/R | 9338 675 10115 | Standard Marking * Reel Pack, SMD | SOD87 | Full production | <input type="checkbox"/> |
| | BZD27-C15 /T3 | 9338 675 10135 | Standard Marking * Reel Pack, SMD, Large | SOD87 | Full production | <input type="checkbox"/> |
| BZD27-C150 | BZD27-C150 /T3 | 9338 677 50135 | Standard Marking * Reel Pack, SMD, Large | SOD87 | Full production | <input type="checkbox"/> |
| BZD27-C16 | BZD27-C16 /T3 | 9338 675 20135 | Standard Marking * Reel Pack, SMD, Large | SOD87 | Full production | <input type="checkbox"/> |
| BZD27-C160 | BZD27-C160 T/R | 9338 677 60115 | Standard Marking * Reel Pack, SMD | SOD87 | Full production | <input type="checkbox"/> |
| | BZD27-C160 /T3 | 9338 677 60135 | Standard Marking * Reel Pack, SMD, Large | SOD87 | Full production | <input type="checkbox"/> |
| BZD27-C18 | BZD27-C18 T/R | 9338 675 30115 | Standard Marking * Reel Pack, SMD | SOD87 | Full production | <input type="checkbox"/> |

| | | | | | | |
|------------|----------------|----------------|--|-----------------------|-----------------|--------------------------|
| | BZD27-C18 /T3 | 9338 675 30135 | Standard Marking * Reel Pack, SMD, Large | SOD87 | Full production | <input type="checkbox"/> |
| BZD27-C180 | BZD27-C180 /T3 | 9338 677 70135 | Standard Marking * Reel Pack, SMD, Large | SOD87 | Full production | <input type="checkbox"/> |
| BZD27-C20 | BZD27-C20 T/R | 9338 675 40115 | Standard Marking * Reel Pack, SMD | SOD87 | Full production | <input type="checkbox"/> |
| | BZD27-C20 /T3 | 9338 675 40135 | Standard Marking * Reel Pack, SMD, Large | SOD87 | Full production | <input type="checkbox"/> |
| BZD27-C200 | BZD27-C200 /T3 | 9338 677 80135 | Standard Marking * Reel Pack, SMD, Large | SOD87 | Full production | <input type="checkbox"/> |
| BZD27-C22 | BZD27-C22 T/R | 9338 675 50115 | Standard Marking * Reel Pack, SMD | SOD87 | Full production | <input type="checkbox"/> |
| | BZD27-C22 /T3 | 9338 675 50135 | Standard Marking * Reel Pack, SMD, Large | SOD87 | Full production | <input type="checkbox"/> |
| BZD27-C220 | BZD27-C220 /T3 | 9338 677 90135 | Standard Marking * Reel Pack, SMD, Large | SOD87 | Full production | <input type="checkbox"/> |
| BZD27-C24 | BZD27-C24 T/R | 9338 675 60115 | Standard Marking * Reel Pack, SMD | SOD87 | Full production | <input type="checkbox"/> |
| | BZD27-C24 /T3 | 9338 675 60135 | Standard Marking * Reel Pack, SMD, Large | SOD87 | Full production | <input type="checkbox"/> |
| BZD27-C240 | BZD27-C240 /T3 | 9338 678 00135 | Standard Marking * Reel Pack, SMD, Large | SOD87 | Full production | <input type="checkbox"/> |
| BZD27-C27 | BZD27-C27 T/R | 9338 675 70115 | Standard Marking * Reel Pack, SMD | SOD87 | Full production | <input type="checkbox"/> |
| | BZD27-C27 /T3 | 9338 675 70135 | Standard Marking * Reel Pack, SMD, Large | SOD87 | Full production | <input type="checkbox"/> |
| BZD27-C270 | BZD27-C270 /T3 | 9338 678 10135 | Standard Marking * Reel Pack, SMD, Large | SOD87 | Full production | <input type="checkbox"/> |
| BZD27-C30 | BZD27-C30 T/R | 9338 675 80115 | Standard Marking * Reel Pack, SMD | SOD87 | Full production | <input type="checkbox"/> |
| | BZD27-C30 /T3 | 9338 675 80135 | Standard Marking * Reel Pack, SMD, Large | SOD87 | Full production | <input type="checkbox"/> |
| BZD27-C300 | BZD27-C300 /T3 | 9340 012 20135 | Standard Marking * Reel Pack, SMD, Large | SOD87 | Full production | <input type="checkbox"/> |
| BZD27-C33 | BZD27-C33 T/R | 9338 675 90115 | Standard Marking * Reel Pack, SMD | SOD87 | Full production | <input type="checkbox"/> |
| | BZD27-C33 /T3 | 9338 675 90135 | Standard Marking * Reel Pack, SMD, Large | SOD87 | Full production | <input type="checkbox"/> |
| BZD27-C330 | BZD27-C330 /T3 | 9340 012 30135 | Standard Marking * Reel Pack, SMD, Large | SOD87 | Full production | <input type="checkbox"/> |
| BZD27-C36 | BZD27-C36 T/R | 9338 676 00115 | Standard Marking * Reel Pack, SMD | SOD87 | Full production | <input type="checkbox"/> |
| | BZD27-C36 /T3 | 9338 676 00135 | Standard Marking * Reel Pack, SMD, Large | SOD87 | Full production | <input type="checkbox"/> |

Standard Marking * Reel Pack

| | | | | | | |
|------------|----------------|----------------|--|-----------------------|-----------------|--------------------------|
| BZD27-C360 | BZD27-C360 /T3 | 9340 012 40135 | Standard Marking * Reel Pack, SMD, Large | SOD87 | Full production | <input type="checkbox"/> |
| BZD27-C39 | BZD27-C39 T/R | 9338 676 10115 | Standard Marking * Reel Pack, SMD | SOD87 | Full production | <input type="checkbox"/> |
| | BZD27-C39 /T3 | 9338 676 10135 | Standard Marking * Reel Pack, SMD, Large | SOD87 | Full production | <input type="checkbox"/> |
| BZD27-C390 | BZD27-C390 /T3 | 9340 012 50135 | Standard Marking * Reel Pack, SMD, Large | SOD87 | Full production | <input type="checkbox"/> |
| BZD27-C3V6 | BZD27-C3V6 /T3 | 9340 093 80135 | Standard Marking * Reel Pack, SMD, Large | SOD87 | Full production | <input type="checkbox"/> |
| BZD27-C3V9 | BZD27-C3V9 /T3 | 9340 108 60135 | Standard Marking * Reel Pack, SMD, Large | SOD87 | Full production | <input type="checkbox"/> |
| BZD27-C43 | BZD27-C43 T/R | 9338 676 20115 | Standard Marking * Reel Pack, SMD | SOD87 | Full production | <input type="checkbox"/> |
| | BZD27-C43 /T3 | 9338 676 20135 | Standard Marking * Reel Pack, SMD, Large | SOD87 | Full production | <input type="checkbox"/> |
| BZD27-C430 | BZD27-C430 /T3 | 9340 012 60135 | Standard Marking * Reel Pack, SMD, Large | SOD87 | Full production | <input type="checkbox"/> |
| BZD27-C47 | BZD27-C47 T/R | 9338 676 30115 | Standard Marking * Reel Pack, SMD | SOD87 | Full production | <input type="checkbox"/> |
| | BZD27-C47 /T3 | 9338 676 30135 | Standard Marking * Reel Pack, SMD, Large | SOD87 | Full production | <input type="checkbox"/> |
| BZD27-C470 | BZD27-C470 /T3 | 9340 012 70135 | Standard Marking * Reel Pack, SMD, Large | SOD87 | Full production | <input type="checkbox"/> |
| BZD27-C4V3 | BZD27-C4V3 /T3 | 9340 108 70135 | Standard Marking * Reel Pack, SMD, Large | SOD87 | Full production | <input type="checkbox"/> |
| BZD27-C4V7 | BZD27-C4V7 /T3 | 9340 108 80135 | Standard Marking * Reel Pack, SMD, Large | SOD87 | Full production | <input type="checkbox"/> |
| BZD27-C51 | BZD27-C51 /T3 | 9338 676 40135 | Standard Marking * Reel Pack, SMD, Large | SOD87 | Full production | <input type="checkbox"/> |
| BZD27-C510 | BZD27-C510 /T3 | 9340 012 80135 | Standard Marking * Reel Pack, SMD, Large | SOD87 | Full production | <input type="checkbox"/> |
| BZD27-C56 | BZD27-C56 /T3 | 9338 676 50135 | Standard Marking * Reel Pack, SMD, Large | SOD87 | Full production | <input type="checkbox"/> |
| BZD27-C5V1 | BZD27-C5V1 /T3 | 9340 108 90135 | Standard Marking * Reel Pack, SMD, Large | SOD87 | Full production | <input type="checkbox"/> |
| BZD27-C5V6 | BZD27-C5V6 T/R | 9340 109 00115 | Standard Marking * Reel Pack, SMD | SOD87 | Full production | <input type="checkbox"/> |
| | BZD27-C5V6 /T3 | 9340 109 00135 | Standard Marking * Reel Pack, SMD, Large | SOD87 | Full production | <input type="checkbox"/> |
| BZD27-C62 | BZD27-C62 /T3 | 9338 676 60135 | Standard Marking * Reel Pack, SMD, Large | SOD87 | Full production | <input type="checkbox"/> |
| BZD27-C68 | BZD27-C68 T/R | 9338 676 70115 | Standard Marking * Reel Pack, SMD | SOD87 | Full production | <input type="checkbox"/> |
| | BZD27-C68 /T3 | 9338 676 70135 | Standard Marking * Reel Pack, | SOD87 | Full production | <input type="checkbox"/> |

| | | | | | | |
|------------|----------------|----------------|--|-----------------------|-----------------|--------------------------|
| | BZD27-C6V1 /T3 | 9338 676 70135 | SMD, Large | SOD87 | Full production | <input type="checkbox"/> |
| BZD27-C6V2 | BZD27-C6V2 /T3 | 9340 109 10135 | Standard Marking * Reel Pack, SMD, Large | SOD87 | Full production | <input type="checkbox"/> |
| BZD27-C6V8 | BZD27-C6V8 /T3 | 9340 109 20135 | Standard Marking * Reel Pack, SMD, Large | SOD87 | Full production | <input type="checkbox"/> |
| BZD27-C75 | BZD27-C75 T/R | 9338 676 80115 | Standard Marking * Reel Pack, SMD | SOD87 | Full production | <input type="checkbox"/> |
| | BZD27-C75 /T3 | 9338 676 80135 | Standard Marking * Reel Pack, SMD, Large | SOD87 | Full production | <input type="checkbox"/> |
| BZD27-C7V5 | BZD27-C7V5 T/R | 9338 674 50115 | Standard Marking * Reel Pack, SMD | SOD87 | Full production | <input type="checkbox"/> |
| | BZD27-C7V5 /T3 | 9338 674 50135 | Standard Marking * Reel Pack, SMD, Large | SOD87 | Full production | <input type="checkbox"/> |
| BZD27-C82 | BZD27-C82 /T3 | 9338 676 90135 | Standard Marking * Reel Pack, SMD, Large | SOD87 | Full production | <input type="checkbox"/> |
| BZD27-C8V2 | BZD27-C8V2 T/R | 9338 674 60115 | Standard Marking * Reel Pack, SMD | SOD87 | Full production | <input type="checkbox"/> |
| | BZD27-C8V2 /T3 | 9338 674 60135 | Standard Marking * Reel Pack, SMD, Large | SOD87 | Full production | <input type="checkbox"/> |
| BZD27-C91 | BZD27-C91 /T3 | 9338 677 00135 | Standard Marking * Reel Pack, SMD, Large | SOD87 | Full production | <input type="checkbox"/> |
| BZD27-C9V1 | BZD27-C9V1 /T3 | 9338 728 10135 | Standard Marking * Reel Pack, SMD, Large | SOD87 | Full production | <input type="checkbox"/> |

Please read [information about some discontinued variants of this product](#).

Find similar products:



[BZD27 series](#) links to the similar products page containing an overview of products that are similar in function or related to the part number(s) as listed on this page. The similar products page includes products from the same catalog tree(s) , relevant selection guides and products from the same functional category.