

Series B48-2T, B48-2

35-50 Amp • DIODE Modules

- **Single and Three Phase Circuits**
- **Up to 1600 Volt Blocking Standard**

Single- and three-phase diode circuits come in a panel mount package that provides 2500 Vrms isolation from the terminals to the ceramic base. Available in ratings up to 1600 Volts, all models are UL recognized (file no. E72445).

Manufactured in Crydom's ISO 9001 Certified facility for optimum product performance and reliability.



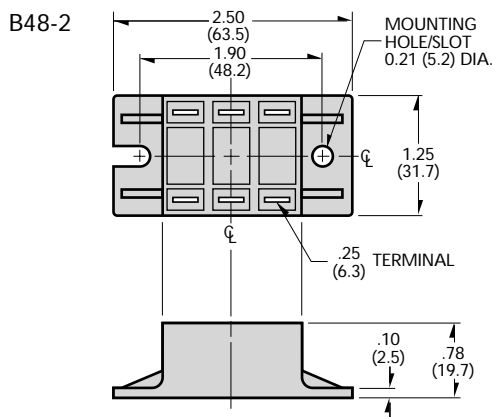
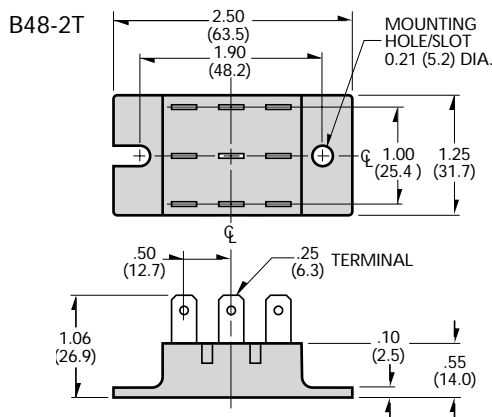
PART NUMBER IDENTIFICATION

Series Type	Circuit Type	Voltage		Case Style
B48	1 - 5 (see schematic diagrams)	B - 400 (120Vac)	F - 1200 (480Vac)	-2T (Standard)
		C - 600 (240Vac)	G - 1400 (530Vac)	-2 With Isolation Barriers
		E - 1000 (380Vac)	H - 1600 (600Vac)	

Example: B483C-2T

MECHANICAL DIMENSIONS

All dimensions are in inches (millimeters)



ELECTRICAL SPECIFICATIONS

SYMBOL SPECIFICATION

		RATINGS	
		SINGLE PHASE	THREE PHASE
I_D	Maximum DC Output Current ($T_c = 85^\circ\text{C}$)	35A	50A
V_F	Maximum Voltage Drop @ Amps Peak	1.25V @ 35A	1.35V @ 50A
T_J	Operating Junction Temperature Range	-40°C to +125°C	
V_{RRM}	Repetitive Peak Reverse Voltage (Ac Line)	400 (120 Vac)	
		600 (240 Vac)	
		1000 (380 Vac)	
		1200 (480 Vac)	
		1400 (530 Vac)	
I_{TSM}	Maximum Non-Repetitive Surge Current (1/2 Cycle, 60Hz)	600A	600A
I^2T	Maximum I^2T for Fusing ($t=8.3\text{ms}$) [A^2sec]	1500	1500
$R_{\theta JC}$	Maximum Thermal Resistance Junction to Ceramic Base per Chip	0.9°C/W	0.9°C/W
V_{ISOL}	Isolation Voltage	2500 V_{RMS}	2500 V_{RMS}

MECHANICAL SPECIFICATIONS

Weight: (typical)

1.5 oz. (42.5g)

© 2001 CRYDOM CORP Specifications subject to change without notice.

For recommended applications and more information contact:

USA: Sales Support (877) 502-5500 **Tech Support** (877) 702-7700 **FAX** (619) 710-8540
 Crydom Corp, 2320 Paseo de las Americas, Ste. 201, San Diego, CA 92154

Email: sales@crydom.com **WEB SITE:** http://www.crydom.com

UK: +44 (0)1202 365070 **FAX** +44 (0)1202 365090 Crydom International Ltd., 7 Cobham Road, Ferndown Industrial Estate, Ferndown, Dorset BH21 7PE, **Email:** intsales@crydom.com.

GERMANY: +49 (0)180 3000 506



Series B48-2T, B48-2

35-50 Amp • DIODE Modules

- Single and Three Phase Circuits
- Up to 1600 Volt Blocking Standard

CRYDOM

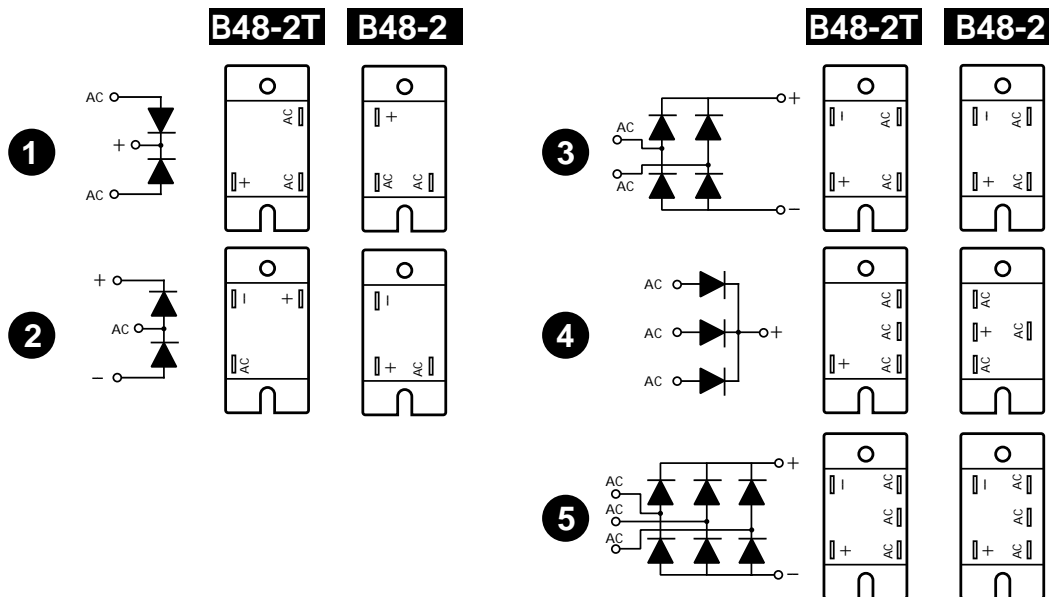
Control over power

PART NUMBER IDENTIFICATION

Series Type	Circuit Type	Voltage		Case Style
B48	1 - 5 (see schematic diagrams)	B - 400 (120Vac)	F - 1200 (480Vac)	-2T (Standard)
		C - 600 (240Vac)	G - 1400 (530Vac)	-2 With Isolation Barriers
		E - 1000 (380Vac)	H - 1600 (600Vac)	

Example: B483C-2T

SERIES B48 CIRCUITS



APPROVALS

UL E72445

© 2001 CRYDOM CORP Specifications subject to change without notice.

For recommended applications and more information contact:

USA: Sales Support (877) 502-5500 **Tech Support** (877) 702-7700 **FAX** (619) 710-8540

Crydom Corp, 2320 Paseo de las Americas, Ste. 201, San Diego, CA 92154

Email: sales@crydom.com **WEB SITE:** http://www.crydom.com

UK: +44 (0)1202 365070 • **FAX** +44 (0)1202 365090 Crydom International Ltd., 7 Cobham

Road, Ferndown Industrial Estate, Ferndown, Dorset BH21 7PE, **Email:** intsales@crydom.com.

GERMANY: +49 (0)180 3000 506

