

0.250" STANDARD CONNECTORS WITH CAGE CLAMP SERIES 25EV

PHYSICAL PROPERTIES

Housing:

HOUSING MATERIAL: Thermoplastic
FLAMMABILITY: UL94V-0
COLOR: Green or Black

Terminal:

CONTACTS: Bright acid-tin plated copper alloy
SOLDERABILITY: MIL STD 202, Method 208
CAGE CLAMP: Zinc plated steel with yellow chromate coating
SCREWS: Zinc plated steel with yellow chromate coating, M3 rating

Terminal:

PITCH (TERMINAL SPACING): 0.250"
RECOMMENDED PCB HOLE DIA.: 0.062" Dia.
RECOMMENDED TIGHTENING TORQUE: 5.0 lb. inch

ELECTRICAL PROPERTIES

RATING: 10 Amps, 300 volts/15 amps, 150 volts (limited ratings)
WIRE RANGE: 10-22 AWG (solid or stranded)

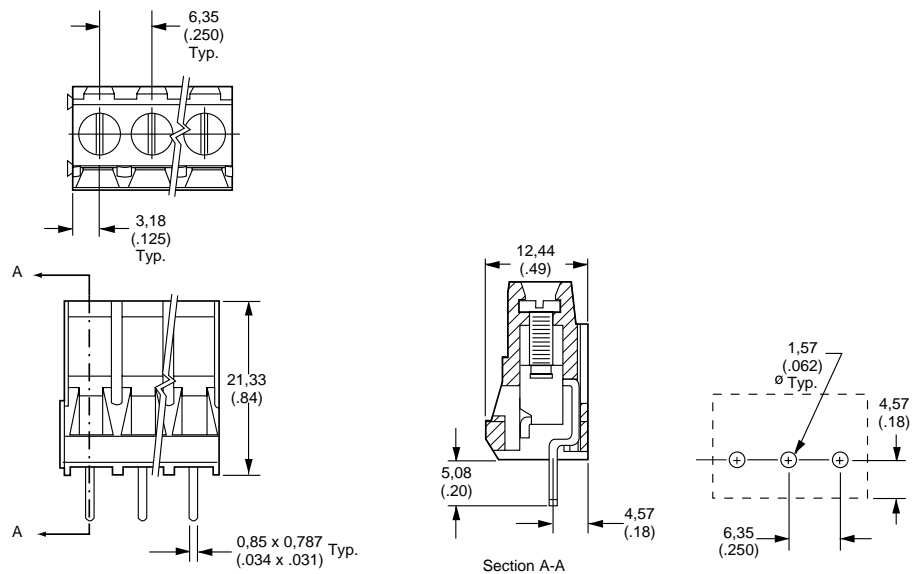
ENVIRONMENTAL PROPERTIES

MAX. OPERATING TEMPERATURE: 120° C .



.250" Pitch

25EV (vertical solder pins)



Ordering Information

# OF TERMINALS	.250" VERTICAL GREEN	.250" VERTICAL BLACK
2	25EV-02TB	25EV-02TB-1
3	25EV-03TB	25EV-03TB-1
4	25EV-04TB	25EV-04TB-1
5	25EV-05TB	25EV-05TB-1
6	25EV-06TB	25EV-06TB-1
7	25EV-07TB	25EV-07TB-1
8	25EV-08TB	25EV-08TB-1
9	25EV-09TB	25EV-09TB-1
10	25EV-10TB	25EV-10TB-1
11	25EV-11TB	25EV-11TB-1
12	25EV-12TB	25EV-12TB-1
13	25EV-13TB	25EV-13TB-1
14	25EV-14TB	25EV-14TB-1
15	25EV-15TB	25EV-15TB-1
16	25EV-16TB	25EV-16TB-1
17	25EV-17TB	25EV-17TB-1
18	25EV-18TB	25EV-18TB-1
19	25EV-19TB	25EV-19TB-1
20	25EV-20TB	25EV-20TB-1
21	25EV-21TB	25EV-21TB-1
22	25EV-22TB	25EV-22TB-1
23	25EV-23TB	25EV-23TB-1
24	25EV-24TB	25EV-24TB-1

