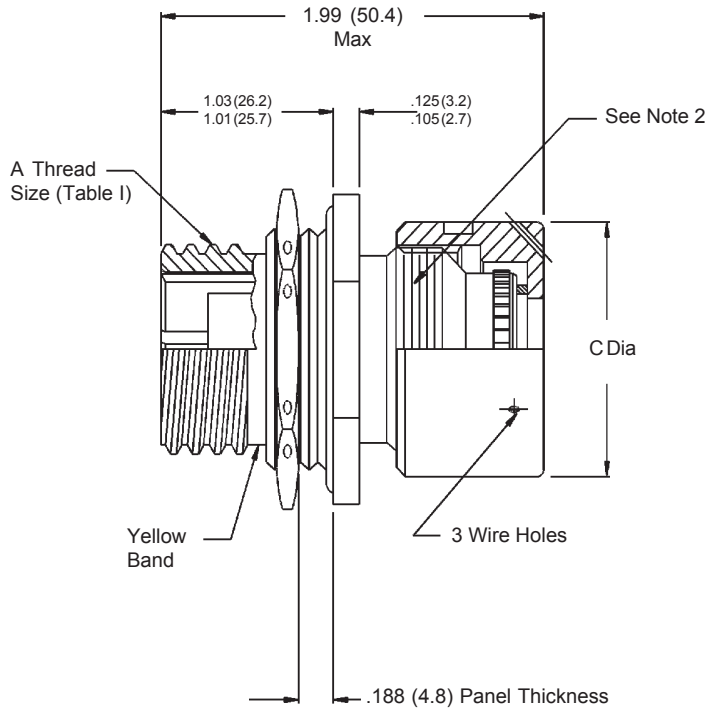
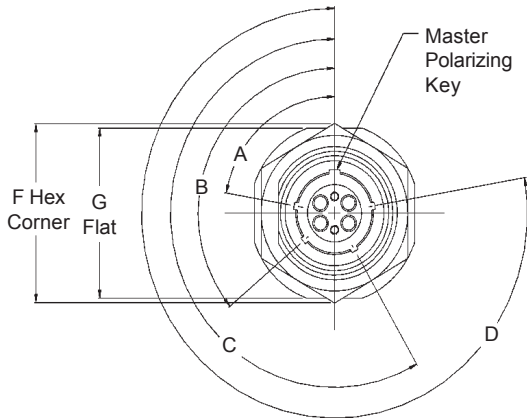
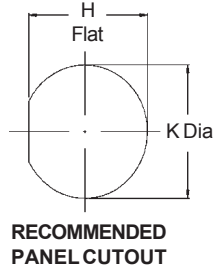
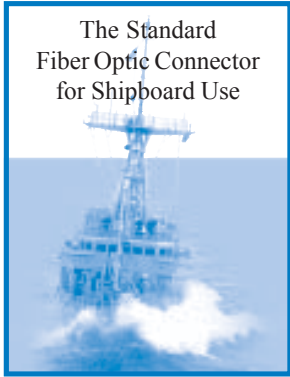
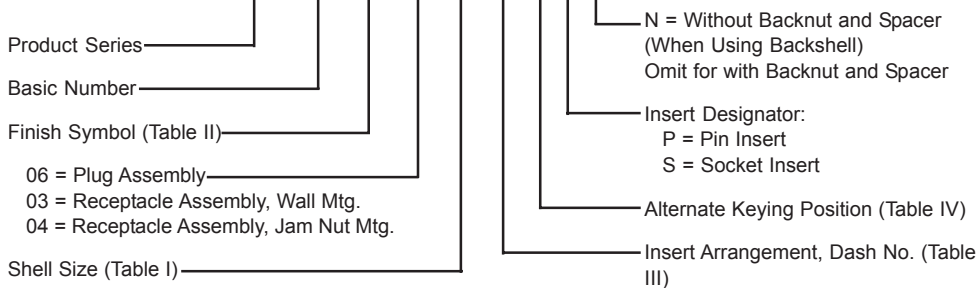


MIL-C-28876 Style Fiber Optic Connector
For use with MIL-T-29504/14 and /15 Termini
04 Jam Nut Mounted Receptacle



180-040 NF 04-13-04-1 P N



MIL-C-28876 Style Fiber Optic Connector
For use with MIL-T-29504/14 and /15 Termini
04 Jam Nut Mounted Receptacle



TABLE I: SHELL SIZE

Shell Size	"A" Thread .IP- .2L-DS	F Hex Max	G Flat + .010 (.005)	H Flat + .010 (.005)	K Dia + .010 (.005)	C Dia Max
11	.750	1.290 (32.8)	1.262 (32.1)	.848 (21.5)	.885 (22.5)	.960 (24.4)
13	.875	1.435 (36.4)	1.387 (35.2)	.973 (24.7)	1.010 (25.7)	1.085 (27.6)
15	1.062	1.650 (41.9)	1.575 (40.0)	1.160 (29.5)	1.198 (30.4)	1.255 (31.9)

TABLE III: INSERT ARRANGEMENT

Shell Size	Insert Arrangement Dash No.	Number of Terminus Cavities
11	02	2
13	04	4
15	06 or 08	6 or 8

TABLE II: FINISH

Symbol	Finish Description
M	Electroless Nickel
NF	Cadmium/Olive Drab over Electroless Nickel (500 Hour Salt Spray)

TABLE IV: ALTERNATE KEYING POSITION

Shell Size	Keying Position	Keying Position			
		A°	B°	C°	D°
11 and 13	1	95	141	208	236
	2	113	156	182	292
13	3	90	145	195	252
	4	53	156	220	255
	5	119	146	176	298
	6	51	141	184	242
15	1	80	142	196	293
	2	135	170	200	310
	3	49	169	200	244
	4	66	140	200	257
	5	62	145	180	280
	6	79	153	197	272

NOTES:

1. Metric dimensions (mm) are in parentheses and are for reference only.
2. Backnut retained with thread locking compound.