

TABLE 1				
SH D	CONN TYPE	IMPD (OHMS)	MATERIAL Δ	ASSEMBLE PER
1	PL220		1-0442-005	TAI-A118
2	CJ220		1-0443-005	
3	PL240		1-0446-005	
4	CJ240		1-0445-005	
5	BJ226	50	1-0472-005	TAI-123
6	BJ229		1-0473-005	
7	BJ246		1-0046-005	
8	BJ249		1-0047-005	
9	UPL220	75	1-0468-005	TAI-D118
10	UPL240		1-0041-005	
11	PL223	50	1-0009-005	TAI-A118
12	UPL223	75	1-0050-005	TAI-D118
13	PL240S	50	1-0446-005	TAI-A118
14	UPL240S		1-0041-005	TAI-D118
15	UBJ229		1-0488-005	TAI-123
16	UCJ220		1-0494-005	TAI-D118
17	UCJ240	75	1-0496-005	
18	UBJ226		1-0489-005	
19	UPLR220		1-0504-005	
20	UPLFF220		1-0517-005	TAI-223
21	UBJ220		1-0515-005	TAI-D118

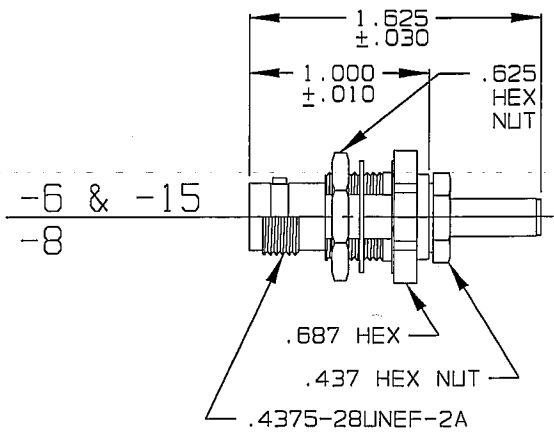
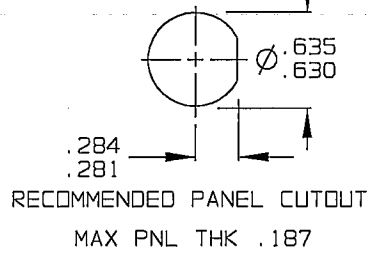
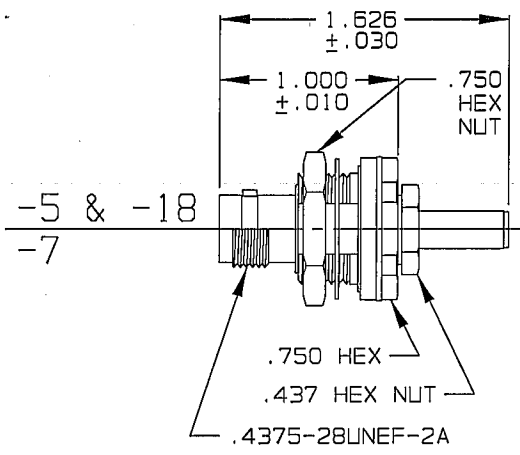
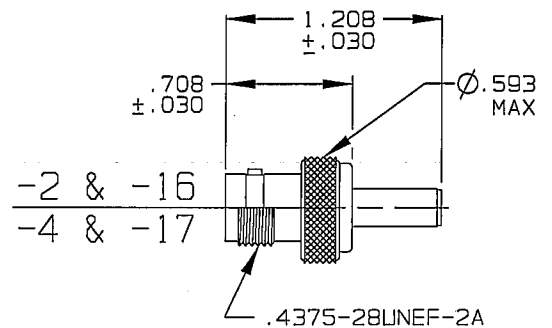
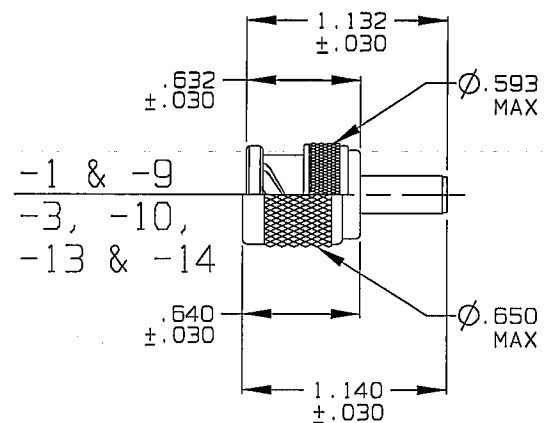
CENTER CONTACT CRIMP TOOLING			
CONTACT TYPE	MILITARY 8 POINT INDENTER	COMMERCIAL HEX	COMMERCIAL 8 POINT INDENTER
50 OHM PIN	M22520/1-01 BASIC TOOL WITH M22520/1-12 TURRET HEAD SELECTOR NO. 6	TEI CT4L BASIC TOOL WITH TEI CD3-1 DIE, CLOSURE C (.068 HEX)	N/A
50 OHM SOCKET	M22520/1-01 BASIC TOOL WITH M22520/1-12 TURRET HEAD SELECTOR NO. 6	TEI CT4L BASIC TOOL WITH TEI CD3-1 DIE, CLOSURE C (.068 HEX)	N/A
75 OHM PIN	N/A	TEI CT4L BASIC TOOL WITH TEI CD3-1 DIE, CLOSURE D (.042 HEX)	TEI 010-0097 8 PT 010-0098 12 PT
75 OHM SOCKET	N/A	TEI CT4L BASIC TOOL WITH TEI CD3-1 DIE, CLOSURE D (.042 HEX)	TEI 010-0088

DATA CONTAINED IN THIS DOCUMENT IS PROPRIETARY TO TROMPETER ELECTRONICS INC. AND SHALL NOT BE DISCLOSED, COPIED OR USED FOR PROCUREMENT OR MANUFACTURE WITHOUT EXPRESS WRITTEN PERMISSION OF TROMPETER ELECTRONICS INC.

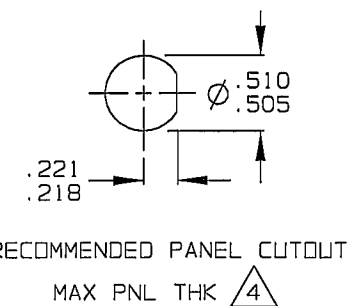
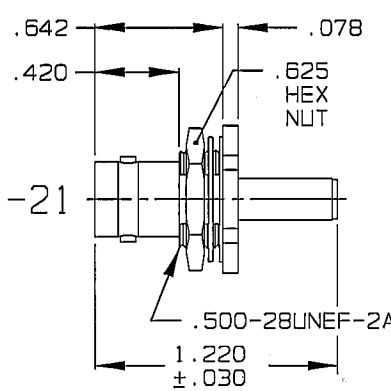
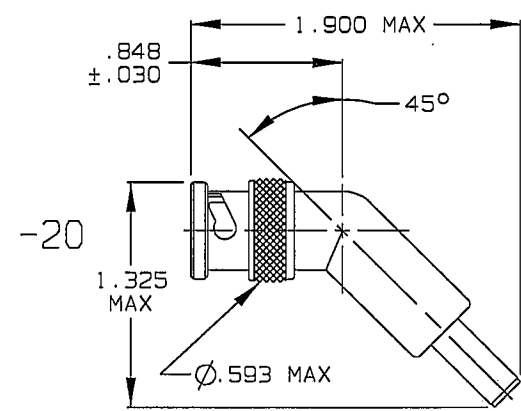
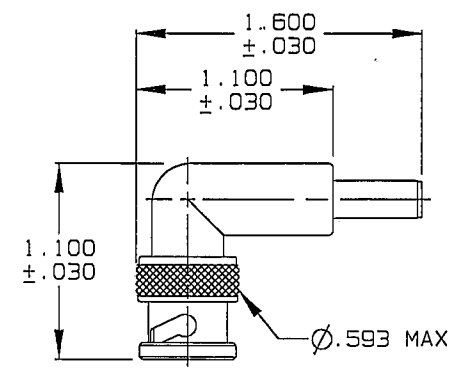
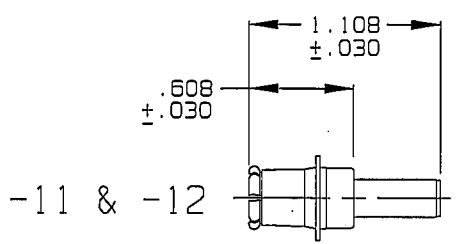
REVISIONS		105-1273	SH 1C
REV	DESCRIPTION	DATE	APPROVED
C	REVISED PER ECD 14058	5/23/01	<i>[Signature]</i>

RED INDICATES ORIGINAL

CRIMP SLEEVE TOOLING		
CONNECTOR TYPE	MILITARY HEX	COMMERCIAL HEX
50 OR 75 OHM CONNECTORS	M22520/5-01 BASIC TOOL WITH M22520/5-5 DIE, CLOSURE B (.178 HEX)	TEI CT4L BASIC TOOL WITH TEI CD3-1 DIE, CLOSURE B (.178 HEX)



Δ .218 THK



RECOMMENDED PANEL CUTOUT
MAX PNL THK Δ

Δ REPLACE CRIMP SLEEVE 8-1613-11 WITH CRIMP SLEEVE 8-3275-26

2. EXAMPLE OF COMPLETE PART NO:
105-1273 - 1
BASIC PART NO. DASH NO
(SEE TABLE 1)

1. 50 & 75 OHM FULL CRIMP COAXIAL BNC/TNC CABLE PLUGS/RECEPTACLE/INSULATED & NONINSULATED BULKHEAD MOUNT CABLE RECEPTACLE/PUSH-ON PLUG & 75 OHM BNC/TNC/PUSH-ON FULL CRIMP COAXIAL CABLE PLUG FOR PIC WIRE NO. S59 HEC

INTERPRET DRAWING PER MIL-STD-100 DIMENSIONS ARE IN INCHES AND INCLUDE FINISH THICKNESS UNLESS OTHERWISE SPECIFIED

TOL: UNLESS SPECIFIED
.XX
.XXX ±.005
.XXXX
ANGLES
MATERIAL:



DRAWN: AAH
CHECKED: *[Signature]*
DATE: 5-11-01
APPROVED: *[Signature]*

FINISH: TFS-1A (NICKEL)

TITLE: 220/240 SERIES-KS19224L2

CAD FILE NO. 105-1273.PRT

DO NOT SCALE DWG

SIZE: B
CAGE CODE: 14949
DRAWING NO.: 105-1273
REV.: C
SCALE: NONE
DATE: 3/22/89
SHEET: 1C

NEXT ASSY