

### Electrical

(REV. X)

#### ELECTRICAL SPECIFICATIONS

##### URNS RATIO :

(TD+) - (TCT) - (TD-) : (TX+) - (CMT) - (TX-) : 1CT : 1CT ±2%  
 (RX+) - (RCT) - (RD-) : (RX+) - (RXT) - (RX-) : 1CT : 1CT ±2%

##### INDUCTANCE :

(TD+) - (TD-) : 350 uH MIN. @ 0.1V, 100KHz, 8mADC BIAS  
 (RX+) - (RX-) : 350 uH MIN. @ 0.1V, 100KHz, 8mADC BIAS

##### DIELECTRIC VOLTAGE WITHSTAND:

[(TD+), (TCT), (TD-)] TO [(TX+), (CMT), (TX-)] : 1500VAC  
 [(RD+), (RCT), (RD-)] TO [(RX+), (RXT), (RX-)] : 1500VAC

##### CMR

1MHz TO 100MHz : -35 dB TYP

##### CROSSTALK

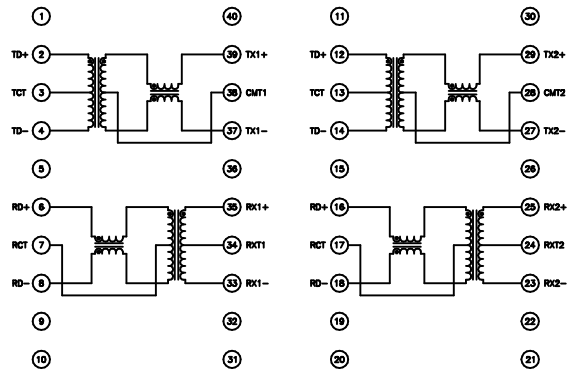
1MHz TO 100MHz : 30 dB MIN

##### INSERTION LOSS

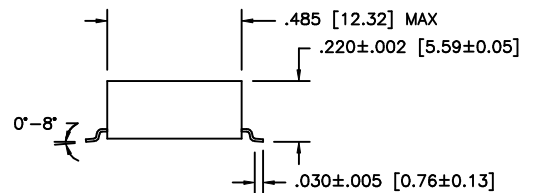
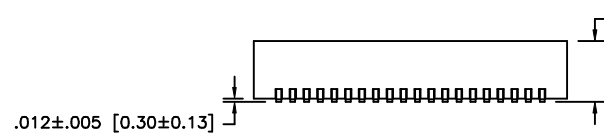
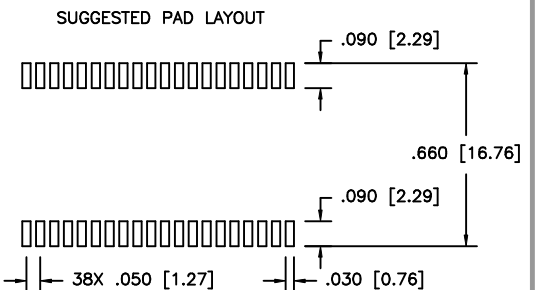
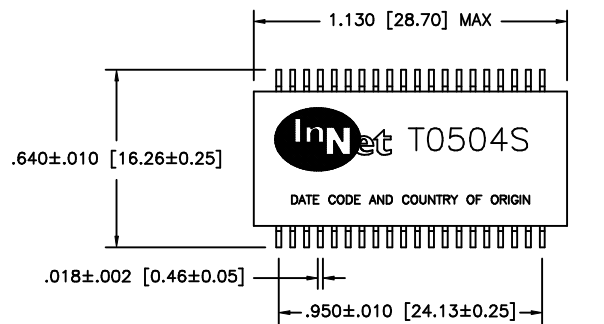
RS=RL=100 ohms  
 100KHz TO 100MHz : -1.1 dB MAX

##### RETURN LOSS

RS = 100 OHMS AND RL = 100 OHMS  
 2MHz TO 30MHz : -16 dB MIN  
 60MHz TO 80MHz : -12 dB MIN.



### Mechanical



#### NOTES:

- LEADS MEET THE SOLDERABILITY REQUIREMENTS TO MIL-STD-202 METHOD 208.
- COPLANARITY OF PINS IS .004 [0.102] MAX.
- THE CASE IS UL 94 V-0 BLACK PLASTIC.