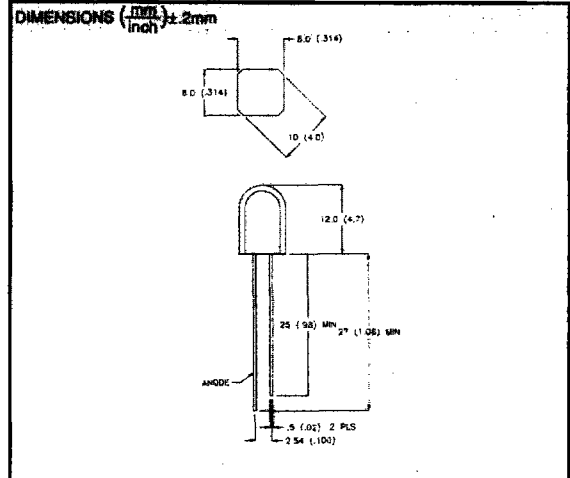


## SSL-LX88123XX SERIES JUMBO LED 8x8 SQUARE LENS

| LUMEX PART NBR          | EMITTED COLOR |           | EPOXY LENS COLOR | BRIGHTNESS |        | VIEW ANGLE | VI@20mA |     |
|-------------------------|---------------|-----------|------------------|------------|--------|------------|---------|-----|
|                         | PEAK(nm)      | RED DIFF. |                  | TYP.(mcd)  | I(fmA) |            | TYP.    | MAX |
| SSL-LX88123ID           | RED           | 635       | RED DIFF.        | 15         | 20     | 8          | 2.0     | 2.8 |
| SSL-LX88123SRD          | RED           | 660       | RED DIFF.        | 40         | 20     | 80         | 1.7     | 2.2 |
| SSL-LX88123GD           | GREEN         | 565       | GREEN DIFF.      | 15         | 20     | 80         | 2.1     | 2.8 |
| SSL-LX88123YD           | YELLOW        | 585       | YELLOW DIFF.     | 15         | 20     | 80         | 2.1     | 2.8 |
| <b>BI-COLOR OPTIONS</b> |               |           |                  |            |        |            |         |     |
| SSL-LX88123HGW          | RED/GREEN     | 695/565   | WHITE DIFF.      | 8/8        | 20/20  | 80         | 2.0     | 2.8 |

See pages 8 -14 for Max. operating limits and operational curves

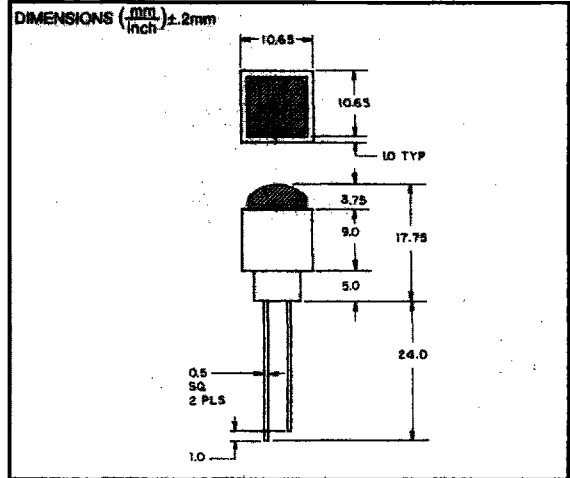


## SSI-LXH808X SERIES JUMBO 8x8mm P.C. INDICATOR

| LUMEX PART NBR         | EMITTED COLOR |           | OPERATING CURRENT (mA) | OPERATING TYP.(mcd) | BRIGHTNESS  |    | LED SERIES USED |
|------------------------|---------------|-----------|------------------------|---------------------|-------------|----|-----------------|
|                        | PEAK(nm)      | RED DIFF. |                        |                     | TYP (mCD) @ | mA |                 |
| SSI-LXH808ID           | RED           | 635       | 10-25                  | 2.1                 | 15          | 20 | SSL-LX88123XX   |
| SSI-LXH808SRD          | RED           | 660       | 10-25                  | 1.7                 | 40          | 20 | SSL-LX88123XX   |
| SSI-LXH808GD           | GREEN         | 565       | 10-25                  | 2.1                 | 15          | 20 | SSL-LX88123XX   |
| SSI-LXH808YD           | YELLOW        | 585       | 10-25                  | 2.1                 | 15          | 20 | SSL-LX88123XX   |
| <b>BI-COLOR OPTION</b> |               |           |                        |                     |             |    |                 |
| SSI-LXH808HGW          | RED/GREEN     | 695/565   | 10-25                  | 2.1                 | 8/12        | 20 | SSL-LX88123HGW  |

INSULATED LEAD OPTIONS ADD -150 TO PART NBR. (6" LENGTH)

See pages 8 -14 for Max. operating limits and operating curves



## SSL-LX80113XX SERIES JUMBO 8mm ROUND LEDS

| LUMEX PART NBR          | EMITTED COLOR |           | EPOXY LENS COLOR | BRIGHTNESS |        | VIEW ANGLE | VI@20mA |     |
|-------------------------|---------------|-----------|------------------|------------|--------|------------|---------|-----|
|                         | PEAK(nm)      | RED DIFF. |                  | TYP.(mcd.) | I(fmA) |            | TYP.    | MAX |
| SSL-LX80113ID           | RED           | 635       | RED DIFF.        | 15         | 20     | 80         | 2.0     | 2.8 |
| SSL-LX80113SRD          | RED           | 660       | RED DIFF.        | 40         | 20     | 80         | 1.7     | 2.2 |
| SSL-LX80113GD           | GREEN         | 565       | GREEN DIFF.      | 15         | 20     | 80         | 2.1     | 2.8 |
| SSL-LX80113YD           | YELLOW        | 585       | YELLOW DIFF.     | 15         | 20     | 80         | 2.1     | 2.8 |
| <b>BI-COLOR OPTIONS</b> |               |           |                  |            |        |            |         |     |
| SSL-LX80113HGW          | RED/GREEN     | 695/565   | WHITE DIFF.      | 8/8        | 20/20  | 80         | 2.0     | 2.8 |
| <b>BLINKING OPTIONS</b> |               |           |                  |            |        |            |         |     |
| SSL-LX80113BID          | RED           | 635       | RED DIFF.        | 12         | 9V     | 80         | 3-15V   |     |

See pages 8 -14 for Max. operating limits and operating curves

