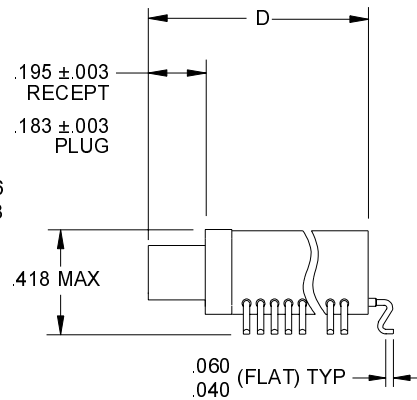
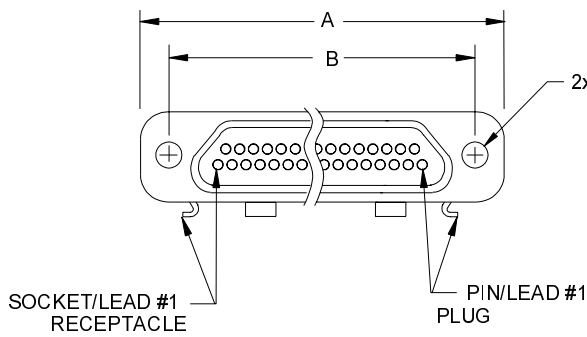
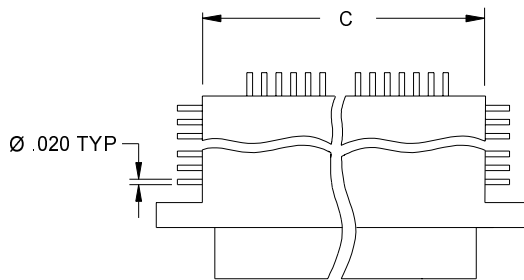
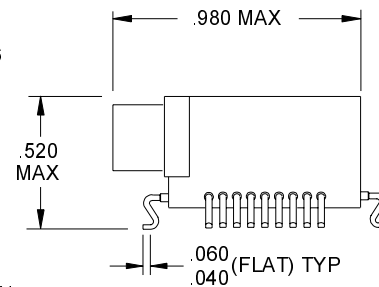
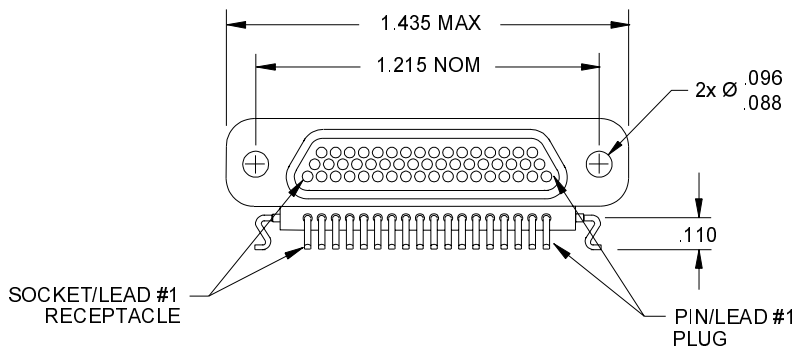


NO. OF CONTACTS	A MAX	B	C MAX	D MAX
9	.785	.565	.400	.570
15	.935	.715	.550	.620
21	1.085	.865	.700	.720
25	1.185	.965	.800	.770
31	1.335	1.115	.950	.870
37	1.485	1.265	1.100	.920

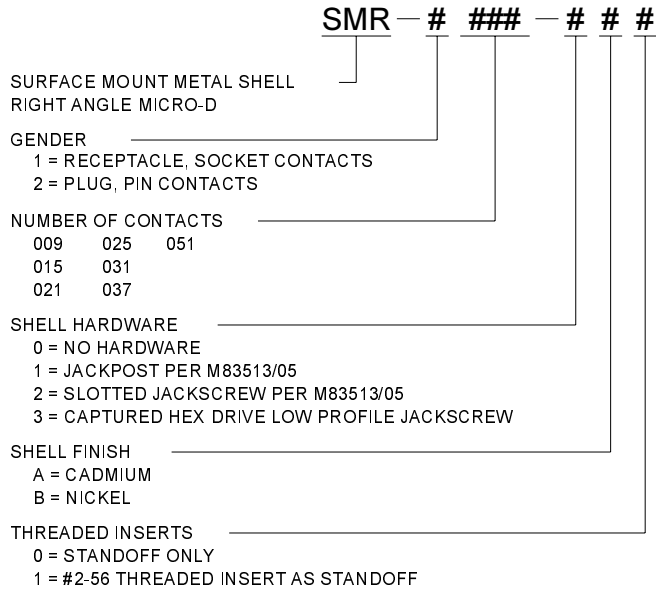


SIZE 9 THRU 37



SIZE 51

CRISTEK INTERCONNECTS, INC. www.cristek.com 1301 S. Lewis St. Anaheim, CA 92805 Phone: (714) 618-2000 FAX: (714) 535-4897	TITLE MICRO-D METAL SHELL SURFACE MOUNT RIGHT ANGLE	DWG. NO. SMR		
	FILENAME ADS-SMR-1	CODE IDENT NO. 67720	SHT 1 OF 4	REV E
TOLERANCE: .XXX ±.005 .XX ±.01 ANGLE ±1°				



1. MATERIALS:

SHELL - ALUMINUM PER QQ-A-200/8, QQ-A-250/11, OR QQ-A-591
INSULATOR - DIALLYL PHTHALATE PER MIL-M-14G, TYPE SDG-F
BACKSHELL - POLYPHENYLENE SULFIDE PER MIL-M-24519
TYPE GST-40F
PIN CONTACT - BERYLLIUM COPPER
SOCKET CONTACT - COPPER ALLOY
LEAD - BRASS
INTERFACIAL SEAL - FLUOROSILICONE BLEND

2. FINISH:

SHELL - CADMIUM PER QQ-P-416, TYPE II, CLASS 3 OVER
ELECTROLESS NICKEL PER AMS 2404 OR
ELECTROLESS NICKEL PER AMS 2404
CONTACT / LEAD - GOLD PER MIL-G-45204, TYPE II, GRADE C,
CLASS I OVER NICKEL PER QQ-N-290
(LEADS ARE TYPICALLY HOT TIN DIPPED)

3. SPECIFICATIONS:

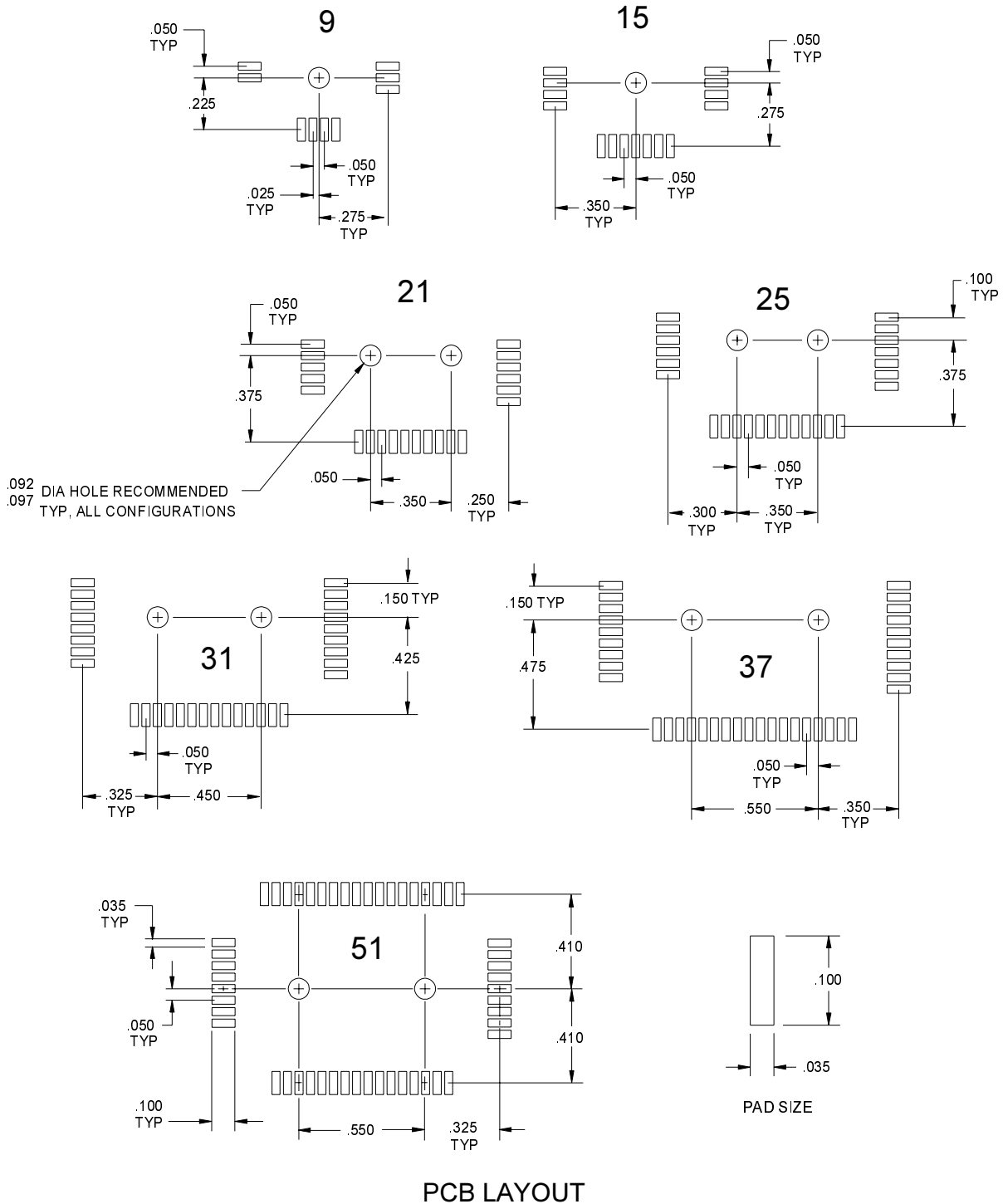
CURRENT RATING ----- 3 AMPS MAX
TEMPERATURE RATING ----- -55° C TO +125° C
INSULATION RESISTANCE ----- 5000 MEGOHMS MIN
DWW AT SEA LEVEL ----- 600 VAC
DWW AT 70,000 FT ALTITUDE --- 150 VAC
CONTACT RESISTANCE ----- 8 MILLIOHMS MAX AT 2.5 AMPS
LOW LEVEL CONTACT ----- 10 MILLIOHMS MAX
RESISTANCE
CONTACT RETENTION ----- 5 lb MINIMUM AXIAL LOAD
ENGAGEMENT FORCE ----- 6 oz MAX
SEPARATION FORCE ----- 0.5 oz MIN

4. ADDITIONAL INFORMATION:

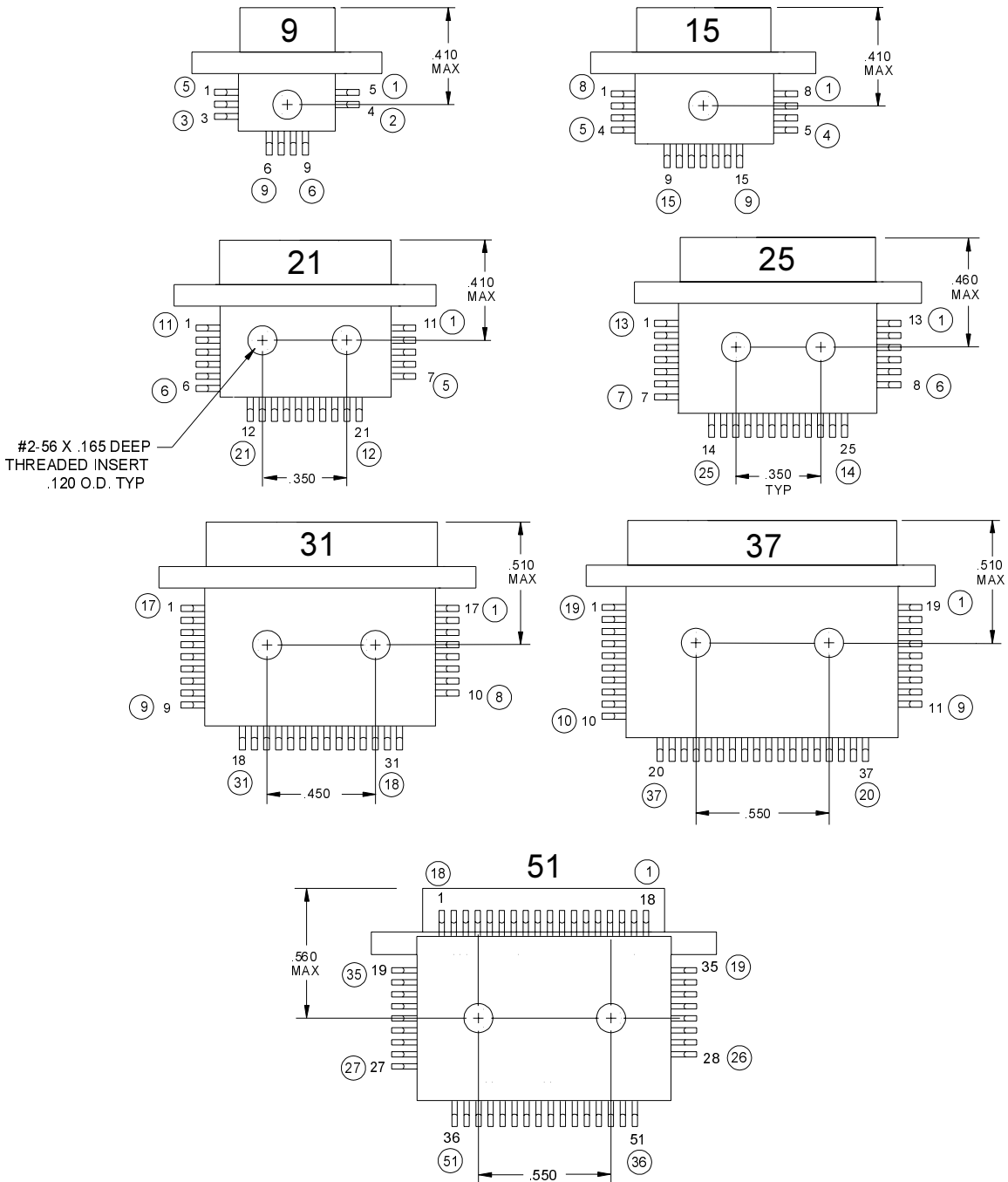
DESIGN AND PERFORMANCE IN GENERAL
ACCORDANCE WITH M83513.
CONTACT CRISTEK FOR OTHER HARDWARE
OPTIONS.

<p>CRISTEK INTERCONNECTS, INC. www.cristek.com 1301 S. Lewis St. Anaheim, CA 92805 Phone: (714) 618-2000 FAX: (714) 535-4897</p>	TITLE	<p>MICRO-D METAL SHELL SURFACE MOUNT RIGHT ANGLE</p>			DWG. NO.	<p>SMR</p>				
	FILENAME	<p>ADS-SMR-2</p>			CODE IDENT NO.	67720	SHT	2 OF 4	REV	E
					<p>TOLERANCE: .XXX ±.005 .XX ±.01 ANGLE ±1°</p>					

1.2 MICRO CONNECTORS / MOTS



CRISTEK INTERCONNECTS, INC. www.cristek.com 1301 S. Lewis St. Anaheim, CA 92805 Phone: (714) 618-2000 FAX: (714) 535-4897	TITLE	DWG. NO.		
	MICRO-D METAL SHELL SURFACE MOUNT RIGHT ANGLE	SMR		REV
	FILENAME	CODE IDENT NO.	SHT	OF
ADS-SMR-3	67720	3	4	E
		TOLERANCE: .XXX ±.005 .XX ±.01 ANGLE ±1°		



BOTTOM VIEW OF CONNECTOR
RECEPTACLE PIN NO.'S ARE NEXT TO FOOT
PLUG PIN NO.'S ARE CIRCLED

CRISTEK INTERCONNECTS, INC. www.cristek.com 1301 S. Lewis St. Anaheim, CA 92805 Phone: (714) 618-2000 FAX: (714) 535-4897	TITLE MICRO-D METAL SHELL SURFACE MOUNT RIGHT ANGLE		DWG. NO. SMR	
	FILENAME ADS-SMR-4		CODE IDENT NO. 67720	SHT 4 OF 4 REV E
	TOLERANCE: .XXX ±.005 .XX ±.01 ANGLE ±1°			