

PRODUCT SPECIFICATION

www.DataSheet4U.com

DATE: 08/14/2008

cosmo ELECTRONICS CORPORATION	Photocoupler : KPC410	NO.61P04029	REV
		SHEET 1 OF 7	2

Super High Speed Response Photocoupler

●Features

1. 5 pin Mini-flat package.
2. Super high speed response (t_{PLH}, t_{PHL} :typ.45ns at $R_L=350$ ohm).
3. Instantaneous common mode rejection voltage(CMH :typ. 500V/us).
4. High isolation voltage between input and output (Viso:2500Vrms).
5. Low input current drive (I_{FHL} : Max. 5mA).
6. LSTTL and TTL compatible output.

●Applications

1. High speed interfaces for computer peripherals, microcomputer systems.
2. High speed line receivers.
3. Noise reduction.
4. Interfaces for data transmission equipment.
5. Inverter.

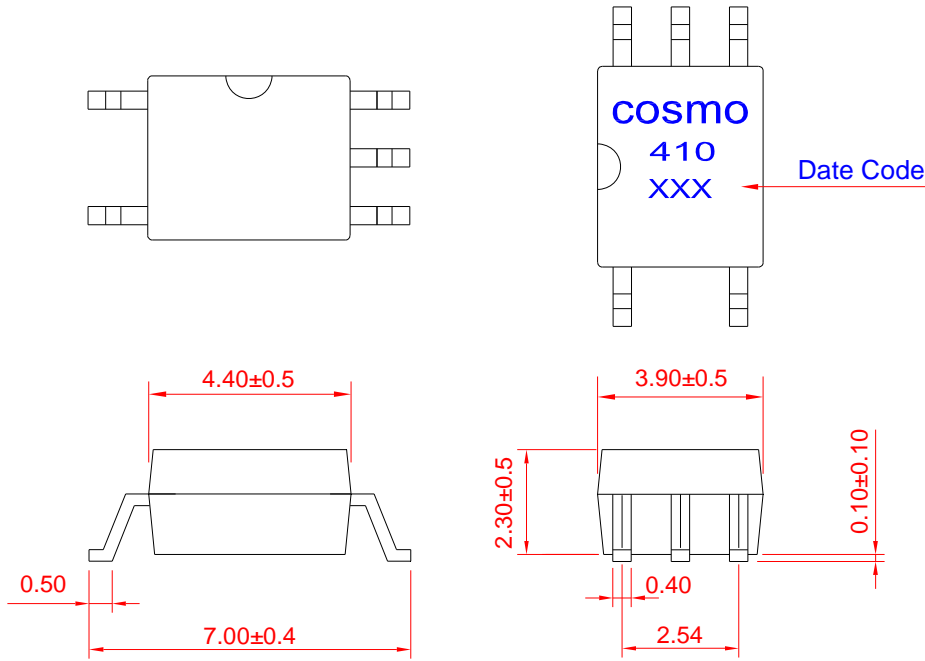
PRODUCT SPECIFICATION

www.DataSheet4U.com

DATE: 08/14/2008

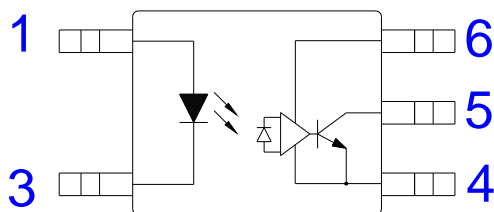
cosmo ELECTRONICS CORPORATION	Photocoupler : KPC410	NO. 61P04029	REV 2
		SHEET 2 OF 7	

1. OUTSIDE DIMENSION : UNIT (mm)



TOLERANCE : ± 0.2 mm

2. SCHEMATIC : Top View



- 1. Anode
- 3. Cathode
- 4. GND
- 5. Vo
- 6. Vcc

PRODUCT SPECIFICATION

www.DataSheet4U.com

DATE: 08/14/2008

cosmo ELECTRONICS CORPORATION	Photocoupler :	NO. 61P04029	REV
	KPC410	SHEET 3 OF 7	2

●Absolute Maximum Ratings

(Ta=25°C)

Parameter	Symbol	Rating	Unit	
Input	Forward current (*1)	IF	25	mA
	Peak forward current (*2)	IFM	40	mA
	Reverse voltage	VR	5	V
	Power dissipation	PD	45	mW
Output	Supply voltage	VCC	7	V
	High level output voltage	VOIL	7	V
	Low level output current	IOL	50	mA
	Output collector power dissipation	PC	85	mW
Isolation voltage 1 minute (*3)	Viso	2500	Vrms	
Operating temperature	Topr	-40 to +85	°C	
Storage temperature	Tstg	-55 to +125	°C	
Soldering temperature 10 second	Tsol	260	°C	

●Electro-optical Characteristics

(Ta= 0 to+ 85°C unless otherwise specified)

Parameter	Symbol	Conditions	MIN.	TYP.	MAX.	Unit
Input forward voltage (*4)	VF	IF=10mA, Ta=25°C	-	1.6	1.75	V
Input reverse voltage	BVR	IR=10uA, Ta=25°C	5	-	-	V
Input capacitance	CIN	VF=0, f=1MHZ	-	60	-	pF
Logic (1) output current	IOH	VCC=3.3V, VO=5.5V, IF=250uA	-	2	250	uA
Logic (0) output voltage	VOL	VCC=3.3V, IF=5mA, IOL(Sinking)=13mA	-	0.4	0.6	V
Logic (1) supply current	ICCH	VCC=3.3V, IF=0mA	-	7	15	mA
Logic (0) supply current	ICCL	VCC=3.3V, IF=10mA	-	13	18	mA
Leak current (*5)	II-O	45%RH, Ta=25°C, t=5s, VI-O=3000VDC	-	-	1.0	mA
Isolation resistance (input-output) (*5)	RI-O	VI-O=500V, Ta=25°C	-	10 ¹²	-	Ω
Capacitance (input-output) (*5)	CI-O	f=1MHZ, Ta=25°C	-	0.6	-	pF
Propagation delay time Output (0)→(1) (*6)	tPLH	IF=7.5mA, VCC=3.3V, RL=350Ω, CL=15pF, Ta=25°C	-	45	100	ns
Propagation delay time Output (1)→(0) (*6)	tPHL		-	45	75	ns
Output rise-fall time (10 to 90%)	tr,tf	IF=7.5mA, VCC=3.3V, RL=350	-	30	-	ns
Instantaneous common mode rejection voltage "output(0)" (*7)	CMH	IF=0mA, VCM=10V, VO(Min)=2.0V RL=350Ω	-	500	-	V/us
Instantaneous common mode rejection voltage "output(1)" (*7)	CML	IF=5mA, VCM=10V, VO(Max)=0.8V RL=350Ω	-	-500	-	V/us

PRODUCT SPECIFICATION

www.DataSheet4U.com

DATE: 08/14/2008

cosmo ELECTRONICS CORPORATION	Photocoupler : KPC410	NO. 61P04029	REV
		SHEET 4 OF 7	2

Note) Typical values are all at $V_{CC} = 3.3V$, $T_a = 25^{\circ}C$

*1 $T_a = 0$ to $70^{\circ}C$.

*2 Pulse width $\leq 1ms$

*3 40 to 80%RH AC for 1 minute, $f=60HZ$.

*4 At $I_{in} = 10mA$, V_F decreases at the rate of $1.6mV/^{\circ}C$ if the temperature goes up.

*5 Measured as 2-pin element. Connect pins 2 and 3, connect pins 5, 6, 7 and 8.

*6 Refer to the Fig. 1.

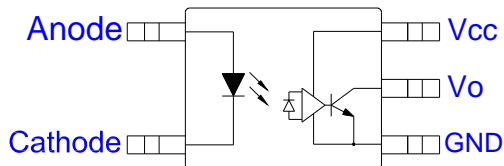
*7 CMH represents a common mode voltage ignorable rise time ratio that can hold logic (1) state in output.

CML represents a common mode voltage ignorable fall time ratio that can hold logic (0) state in output.

●Recommended Operating Conditions

Parameter	Symbol	Min	Max	Unit
Low level input current	I_{FL}	0	250	μA
High level input current	I_{FH}	7.0	15	mA
Supply voltage	V_{CC}	4.5	5.5	V
Fanout (TTL load)	N	-	8	-
Operating temperature	T_{opr}	-40	85	$^{\circ}C$

Circuit Block Diagram



PRODUCT SPECIFICATION

www.DataSheet4U.com

DATE: 08/14/2008

cosmo ELECTRONICS CORPORATION	Photocoupler : KPC410	NO. 61P04029	REV
		SHEET 5 OF 7	2

Fig.1 Test Circuit for Propagation Delay time

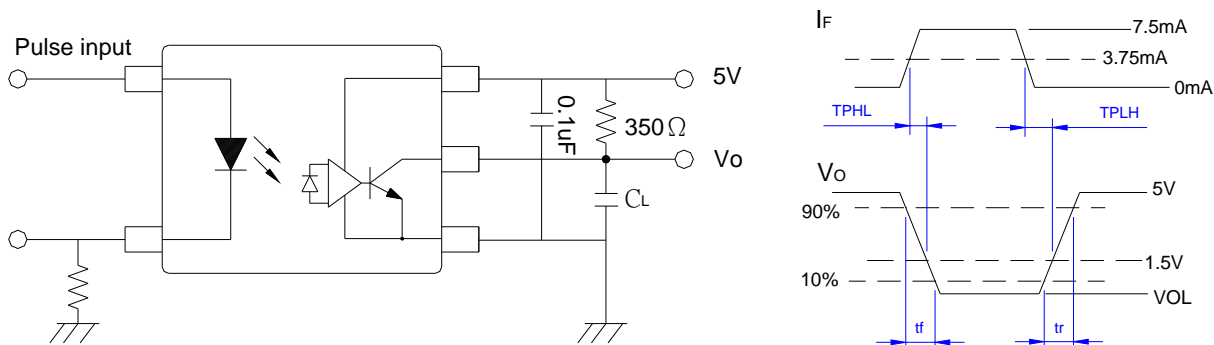
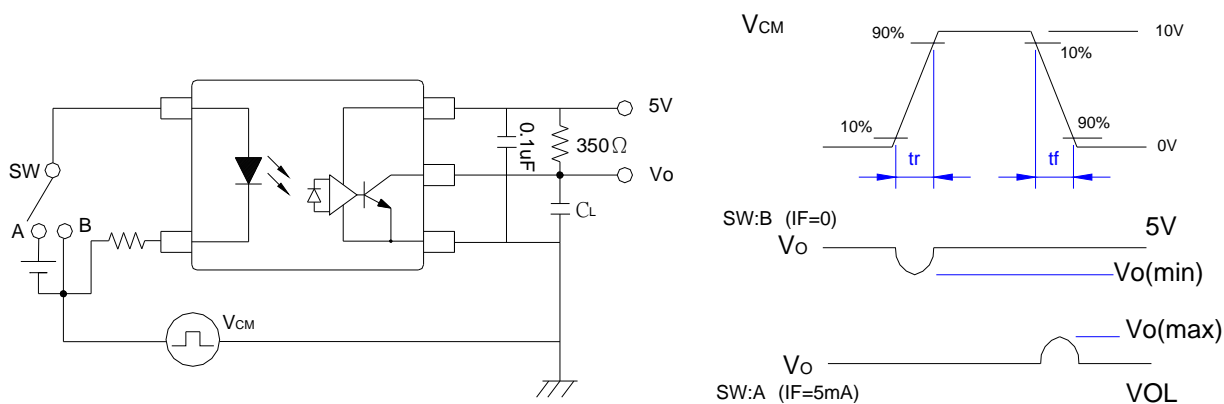


Fig.2 Test Circuit for Instantaneous Common Mode Rejection Voltage



PRODUCT SPECIFICATION

DATE: 08/14/2008

cosmo ELECTRONICS CORPORATION	Photocoupler :	NO. 61P04029	REV
	KPC410	SHEET 6 OF 7	2

Fig.1 Low Level Output Voltage vs. Ambient Temperature

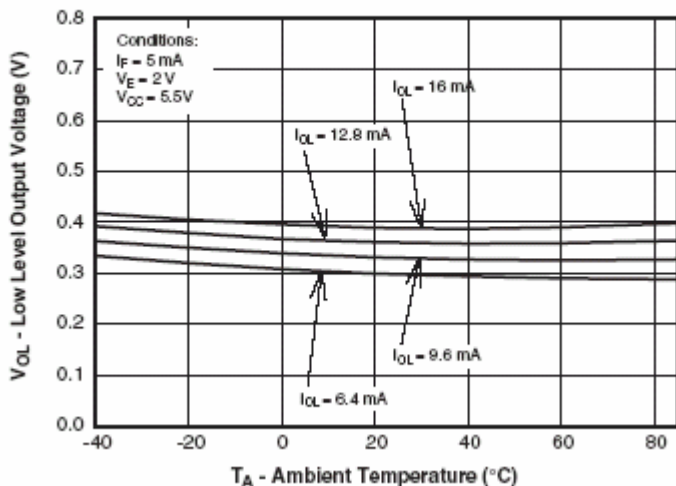


Fig.2 Input Diode Forward Voltage vs. Forward Current

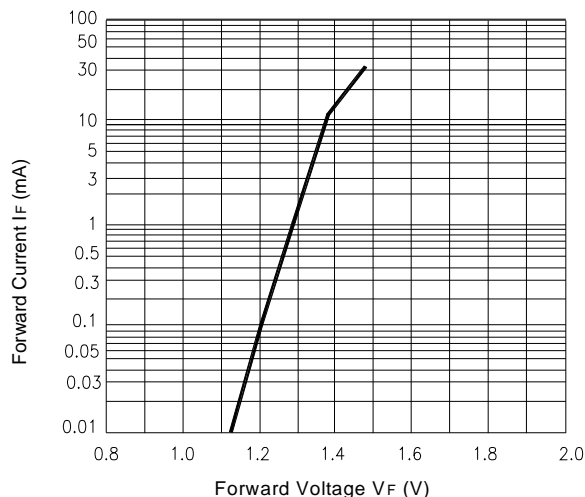


Fig.3 Switching Time vs. Forward Current

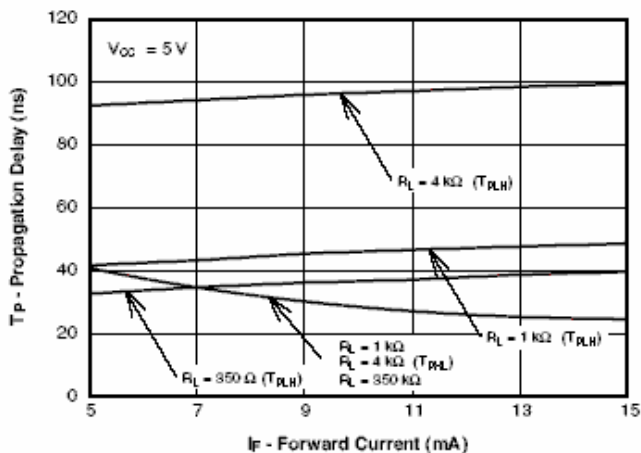


Fig.4 Low Level Output Current vs. Ambient Temperature

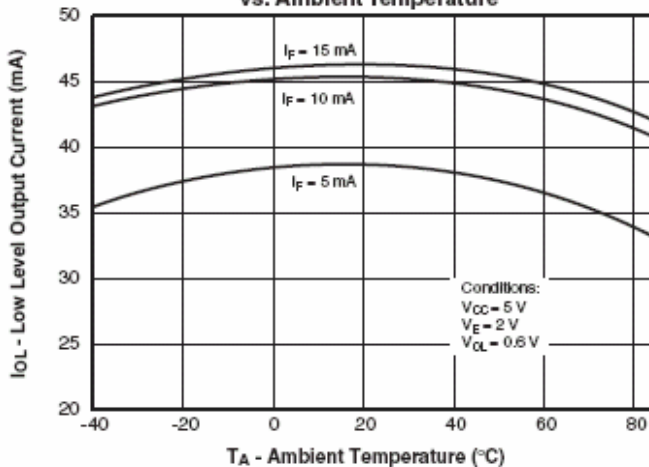


Fig.5 Input Threshold Current vs. Ambient Temperature

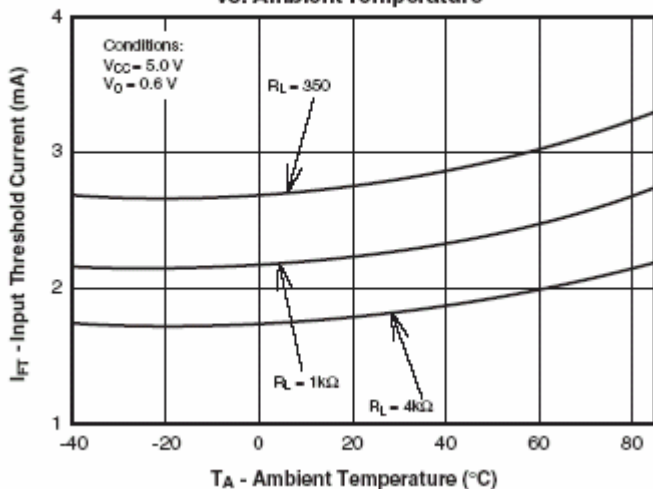
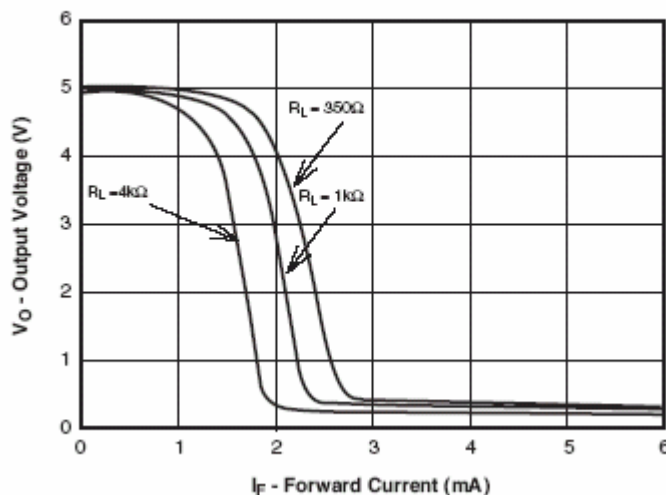


Fig.6 Output Voltage vs. Input Forward Current



PRODUCT SPECIFICATION

www.DataSheet4U.com

DATE: 08/14/2008

cosmo ELECTRONICS CORPORATION	Photocoupler : KPC410	NO. 61P04029	REV
		SHEET 7 OF 7	2

Fig. 7 Pulse Width Distortion vs. Temperature

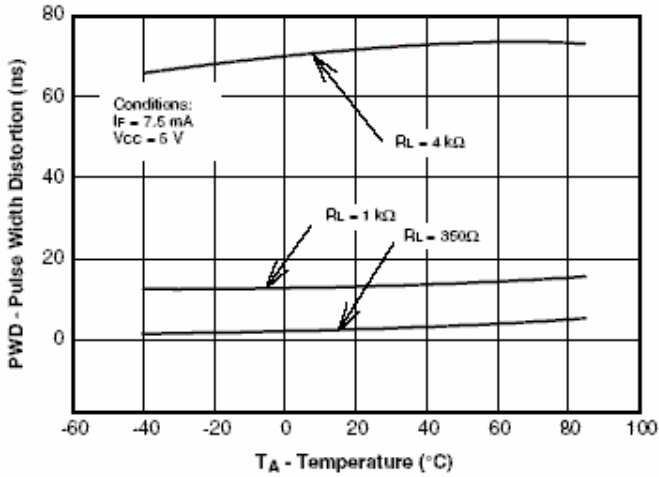


Fig. 8 Rise and Fall Time vs. Temperature

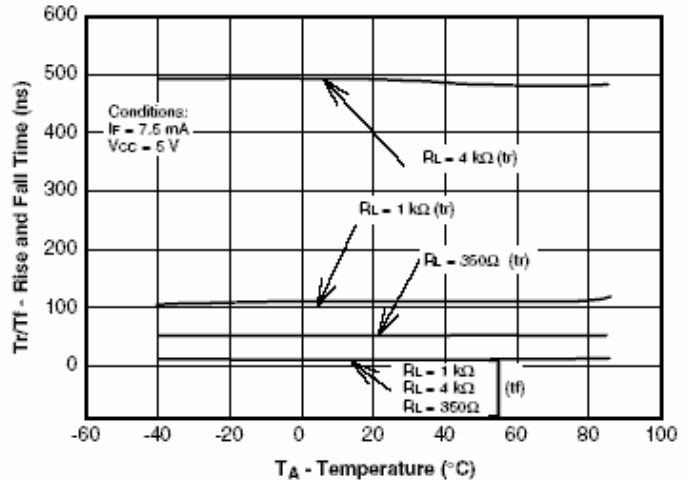


Fig. 10 Switching Time vs. Temperature

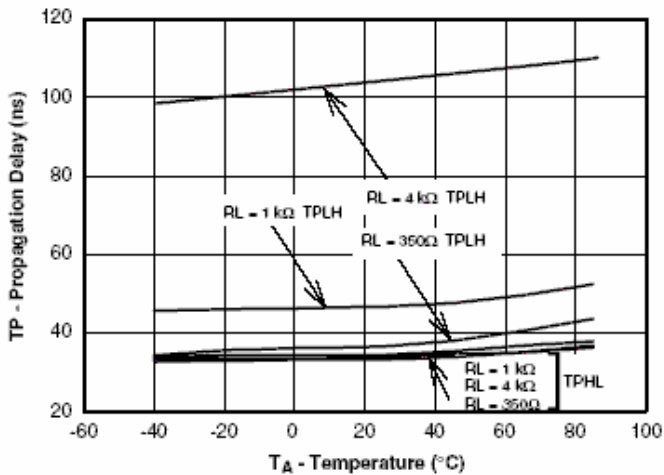


Fig. 11 High Level Output Current vs. Temperature

