

3.5DIA Optical Circular Connectors

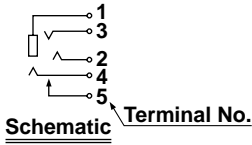
Unit: mm

JFJ7012-010010

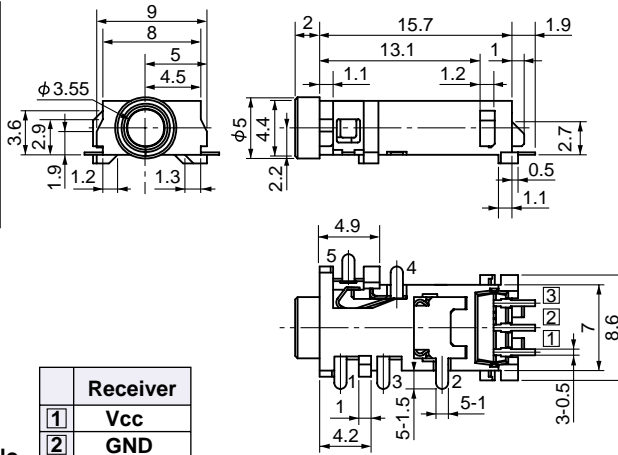
h=2.2



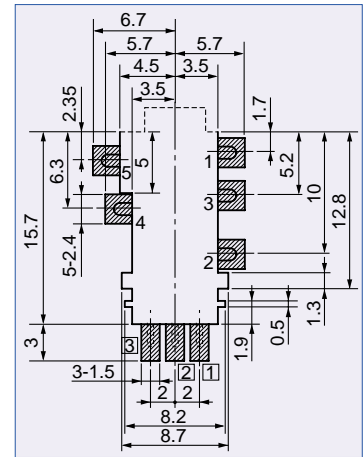
Receiver
2.2~3.0V
8Mbps



	Receiver
①	Vcc
②	GND
③	Vout



P.C. Board Thickness = 0.5mm



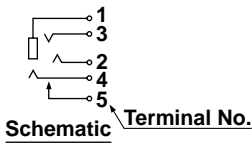
Pad Layout
(Top View)

JFJ8100-010010

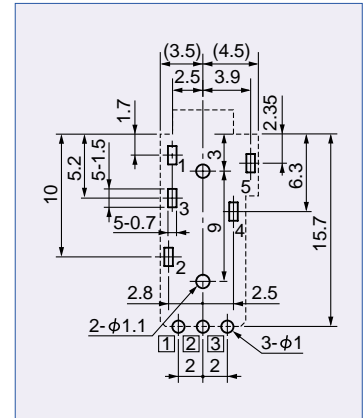
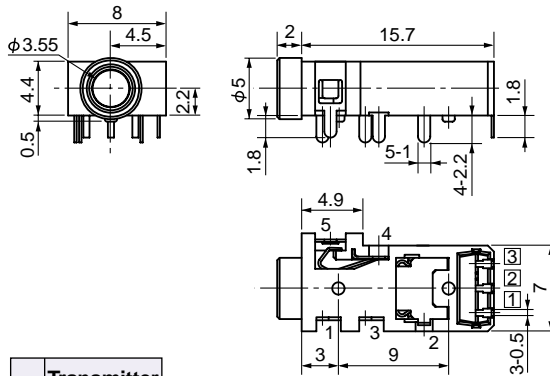
h=2.2



Transmitter
4.75~5.25V
8Mbps



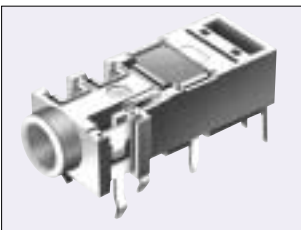
	Transmitter
①	Vin
②	Vcc
③	GND



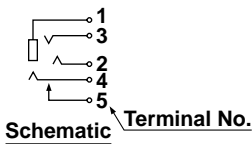
Hole Layout
(Bottom View)

JFJ8110-010010

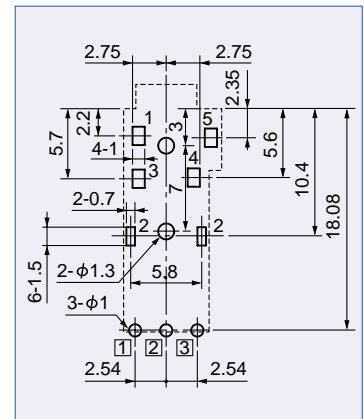
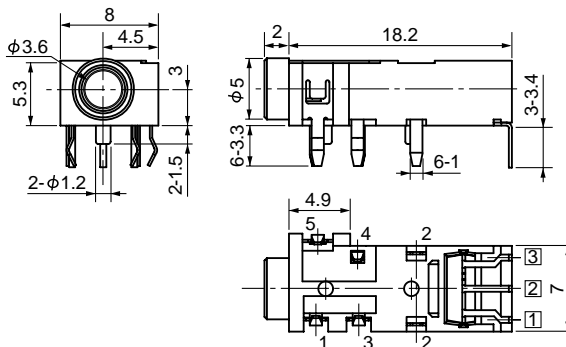
h=3



Transmitter
4.75~5.25V
8Mbps



	Transmitter
①	Vin
②	Vcc
③	GND



Hole Layout
(Bottom View)

P.C. Board Thickness = 1.6mm