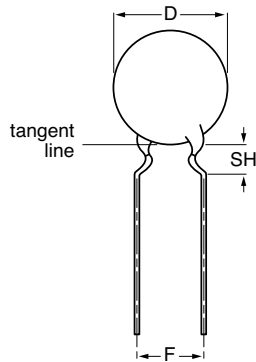
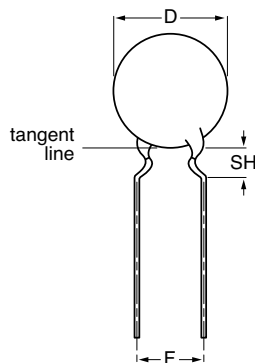


Ceramic Disc Capacitors Class 1 and 2, 500 V (DC) General Purpose



Capacitors with 5 mm (0.20") lead spacing



Capacitors with 7.5 mm (0.30") lead spacing

SECTIONAL SPECIFICATIONS:

Class 1 IEC 60 384-8,

Class 2 IEC 60 384-9,

EIA 198

CLIMATIC CATEGORY:

Class 1 55/125/21

Class 2 10/85/21, 30/85/21 and 55/85/21

OPERATING TEMPERATURE RANGE:

Class 1 - 55 to + 125 °C

Class 2 - 55 to + 85 °C

MARKING

Marking indicates capacitance value and tolerance in accordance with "EIA 198".

The capacitors meet the essential requirements of "EIA 198". Unless stated otherwise all electrical values apply at an ambient temperature of 25 ± 3 °C, at normal atmospheric conditions.

FEATURES

- Low losses
- High stability
- High capacitance in small size
- Kinked (preferred) or straight leads
- Lead (Pb)-free available



RoHS
COMPLIANT

APPLICATIONS

- Bypassing
- Coupling
- Resonant circuit

DESIGN

The capacitors consist of a ceramic disc both sides of which are silver-plated. Connection leads are made of tinned copper having a diameter of 0.6 mm.

The capacitors have inward kinked leads with a spacing of 5 mm (0.200") or 7.5 mm (0.300") and a lead length from 4 to 30 mm. Encapsulation is made of phenolic resin.

CAPACITANCE RANGE:

Class 1, at 1 MHz, 1.2 V (RMS); 10 to 82 pF

1 kHz, 1 ± 0.2 V (RMS) for capacitance values higher than 1000 pF

Class 2, at 1 kHz, 1 ± 0.2 V (RMS); 100 to 22 000 pF

RATED DC VOLTAGE:

500 V

DIELECTRIC STRENGTH:

250 % of rated voltage

INSULATION RESISTANCE AT 500 V (DC):

$\geq 10\,000$ M Ω

TOLERANCE ON CAPACITANCE:

± 5 %; ± 10 %; ± 20 %; + 80/- 20 %

DISSIPATION FACTOR:

Class 1, $C \leq 30$ pF; $\leq 20 \times (10/C + 0.7) \times 10^{-4}$ maximum

Class 1, $C > 30$ pF; ≤ 0.2 %

Class 2, ≤ 3.0 %

TEMPERATURE COEFFICIENTS:

Class 1 C0G (NP0); SL0

Class 2 Y5P; Z5U; Y5V; X5F

HV 500 V



Vishay BCcomponents

Ceramic Disc Capacitors
Class 1 and 2, 500 V (DC) General Purpose

ORDERING INFORMATION (PREFERRED TYPES), CLASS 1, 500 V (DC), KINKED					
C (pF)	TOL. (%)	D _{max} (mm)	LEAD SPACING F (mm)	SH ⁽²⁾ (mm)	CLEAR TEXT CODE
					13 th DIGIT: T = REEL; U = AMMO; 3 = BULK 16 th DIGIT: R = RoHS COMPLIANT
CLASS 1 NP0					
10	± 5	5.0	5.0	4.0	D100J20C0GL6.J5.
12					D120J20C0GL6.J5.
15					D150J20C0GL6.J5.
18		6.5			D180J25C0GL6.J5.
22					D220J25C0GL6.J5.
27					D270J25C0GL6.J5.
CLASS 1 SL0					
33	± 5	5.0	5.0	4.0	D330J20SL0L6.J5.
39					D390J20SL0L6.J5.
47					D470J20SL0L6.J5.
56		6.5			D560J20SL0L6.J5.
68					D680J25SL0L6.J5.
82					D820J25SL0L6.J5.

Notes

1. Maximum thickness 4.0 mm.
2. SH = seated height.
3. Lead style codes refer to inward kinked leads. Other styles available on request.

ORDERING INFORMATION (PREFERRED TYPES), CLASS 2, 500 V (DC), KINKED					
C (pF)	TOL. (%)	D _{max} (mm)	LEAD SPACING F (mm)	SH ⁽²⁾ (mm)	CLEAR TEXT CODE
					13 th DIGIT: T = REEL; U = AMMO; 3 = BULK 16 th DIGIT: R = RoHS COMPLIANT
CLASS 2 Y5P					
100	± 10	5.0	5.0	4.0	D101K20Y5PL6.J5.
150					D151K20Y5PL6.J5.
220					D221K20Y5PL6.J5.
330					D331K20Y5PL6.J5.
470					D471K20Y5PL6.J5.
680					D681K25Y5PL6.J5.
1000		6.5			D102K25Y5PL6.J5.
1500					D152K29Y5PL6.J5.
2200					D222K33Y5PL6.J5.
3300		10.0			D332K39Y5PL6.J5.
4700					D472K43Y5PL6.J5.
6800		13.5			D682K53Y5PL6.J7.
10 000					D103K69Y5PL6.J7.
CLASS 2 Y5V					
1000	+ 80 /- 20	5.0	5.0	4.0	D102Z20Y5VL6.J5.
1500					D152Z20Y5VL6.J5.
2200	6.5	D222Z25Y5VL6.J5.			
3300		D322Z25Y5VL6.J5.			
4700		D472Z29Y5VL6.J5.			
6800	8.5	D682Z33Y5VL6.J5.			
10 000		D103Z39Y5VL6.J5.			
15 000	11.0	D153Z43Y5VL6.J5.			
22 000		D223Z53Y5VL6.J7.			



ORDERING INFORMATION (PREFERRED TYPES), CLASS 2, 500 V (DC), KINKED					
C (pF)	TOL. (%)	D _{max} (mm)	LEAD SPACING F (mm)	SH ⁽²⁾ (mm)	CLEAR TEXT CODE
					13 th DIGIT: T = REEL; U = AMMO; 3 = BULK 16 th DIGIT: R = RoHS COMPLIANT
CLASS 2 Z5U					
1000	± 20	5.0	5.0	4.0	D102M20Z5UL6.J5.
1500					D152M25Z5UL6.J5.
2200					D222M25Z5UL6.J5.
3300					D332M29Z5UL6.J5.
4700					D472M33Z5UL6.J5.
6800					D682M39Z5UL6.J5.
10 000		11.0	7.5		D103M43Z5UL6.J5.
15 000		13.5			D153M53Z5UL6.J7.
22 000		15.0			D223M59Z5UL6.J7.
CLASS 2 X5F					
100	± 10	5.0	5.0	4.0	D101K20X5FL6.J5R
220					D221K20X5FL6.J5R
330					D331K20X5FL6.J5R
470					D471K25X5FL6.J5R
680					D681K25X5FL6.J5R
1000					7.5
2200		10.0	D222K39X5FL6.J5R		
3300		12.0	D332K47X5FL6.J7R		
4700		13.5	D472K53X5FL6.J7R		

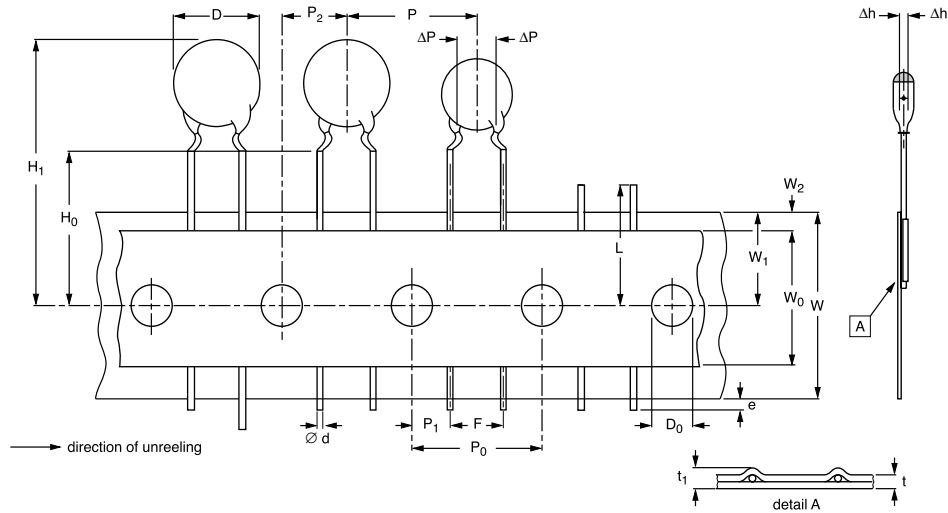
Notes

1. Maximum thickness 4.0 mm.
2. SH = seated height.
3. Lead style codes refer to inward kinked leads. Other styles available on request.

PACKAGING				
D _{max} mm	SIZE CODE	PACKAGING QUANTITIES		
		BULK	REEL	AMMO
5.0 (0.20")	20	1000	2000	2000
6.5 (0.25")	25			
7.5 (0.29")	29			
8.5 (0.33")	33			
10.0 (0.39")	39			
11.0 (0.43")	43			
12.0 (0.47")	47	500	-	-
13.5 (0.53")	53			
15.0 (0.59")	59			
17.5 (0.69")	69			

Note

1. The capacitors are supplied in bulk packaging (cardboard boxes), in tape on reel or in ammpack.



Kinked capacitors on tape, lead spacing 5.0 mm (0.2 inch)

DIMENSIONS OF TAPE			
SYMBOL	PARAMETER	DIMENSIONS (mm)	
		NOMINAL	TOLERANCE
D	body diameter	11.0 maximum	-
d	lead diameter	0.6	± 0.05
P	pitch between capacitors	12.7	± 1.0
P ₀	feed-hole pitch	12.7	± 0.3; note 1
ΔP	plane deviation	1.0 maximum	-
P ₁	feed-hole centre to lead centre	3.85	± 0.7; note 2
P ₂	feed-hole centre to component centre	6.35	± 1.3; note 2
F	lead spacing	5.0	+ 0.6 - 0.4
Δh	component alignment	0	± 1.0
W	tape width	18.0	+ 1.0 - 0.5
W ₀	hold-down tape width	5.0 minimum	-
W ₁	hole position	9.0	+ 0.75 - 0.5
W ₂	hold-down tape margin	3.0 maximum	-
H ₀	height to seating plane	16.0	± 0.5
H ₁	maximum component height	32.0	-
e	lead end protrusion	1.0 maximum	-
L	maximum length of snapped lead	11.0	-
D ₀	feed-hole diameter	4.0	± 0.2
t	total tape thickness	0.9 maximum	-
t ₁	maximum thickness of tape and wires	1.5 maximum	-

Notes

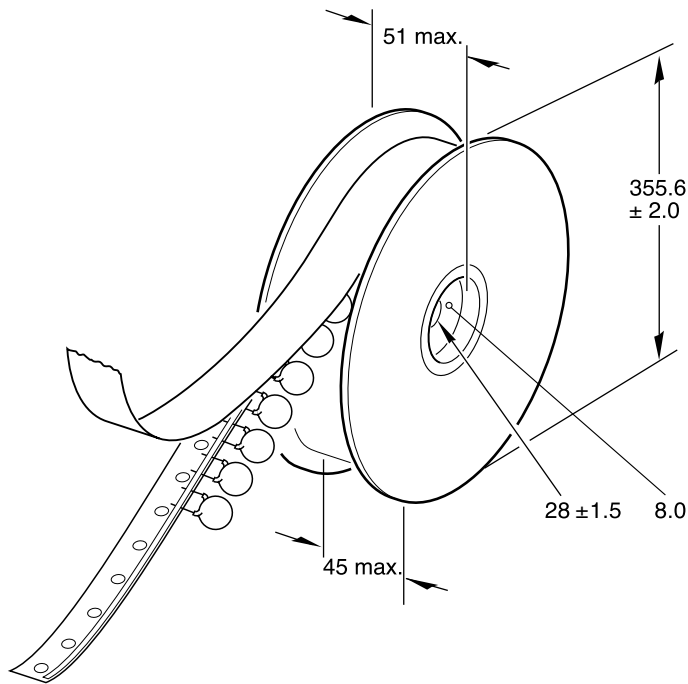
1. Cumulative pitch error: $\pm \leq 1 \text{ mm}/20 \text{ pitches}$.
2. Obliquity maximum 3°.



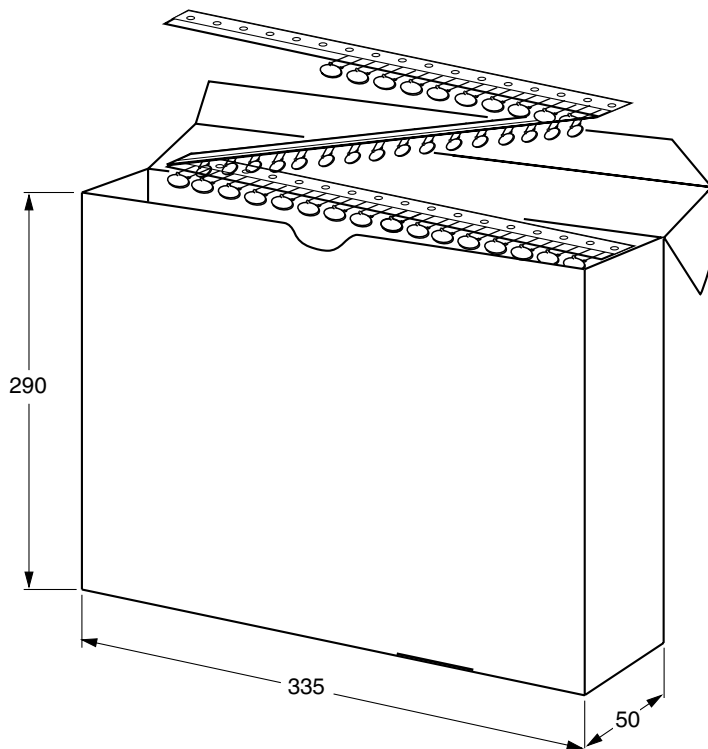
Ceramic Disc Capacitors
Class 1 and 2, 500 V (DC) General Purpose

Vishay BCcomponents

REEL AND TAPE DATA in millimeters



Reel with capacitors on tape



Ampopack with capacitors on tape



Notice

Specifications of the products displayed herein are subject to change without notice. Vishay Intertechnology, Inc., or anyone on its behalf, assumes no responsibility or liability for any errors or inaccuracies.

Information contained herein is intended to provide a product description only. No license, express or implied, by estoppel or otherwise, to any intellectual property rights is granted by this document. Except as provided in Vishay's terms and conditions of sale for such products, Vishay assumes no liability whatsoever, and disclaims any express or implied warranty, relating to sale and/or use of Vishay products including liability or warranties relating to fitness for a particular purpose, merchantability, or infringement of any patent, copyright, or other intellectual property right.

The products shown herein are not designed for use in medical, life-saving, or life-sustaining applications. Customers using or selling these products for use in such applications do so at their own risk and agree to fully indemnify Vishay for any damages resulting from such improper use or sale.