

REFERENCE SPECIFICATIONS

-NFC 93425 (in compliance with HE 508)

PHYSICAL CHARACTERISTICS

-INSULATOR MATERIAL: THERMOSET UL94V0  
 -CONTACT MATERIAL: BRASS

-ACCESSORIES: BRASS  
 -SHELLS: STEEL

ELECTRICAL CHARACTERISTICS

-NOMINAL CURRENT: 7.5A  
 -CONTACT RESISTANCE: <= 7.3 m ohms  
 -CONTACT/CONTACT : >=1000 V  
 -CONTACT/GROUND : >=1200 V  
 -INSULATION RESISTANCE: >=5000 MOhms

ENVIRONMENTAL CHARACTERISTICS

- CLIMATIC CATEGORY: 55/155/56  
 TEMPERATURE RANGE -55°C TO +155°C  
 DAMP HEAT STEADY STATE 56 DAYS  
 SALT SPRAY 48 HOURS

MECHANICAL CHARACTERISTICS

- RETENTION AGAINST TORQUE: - Threaded insert: 0.7 N.m minimum  
 - Female screw : 0.5 N.m minimum

NOTE RoHS INFORMATION

- The "LF" products meet european union Directives and other country regulations as described in GS-22-008.
- Termination plating spec:  
Gold over Nickel
- Active area plating spec:  
Gold over Nickel
- Shell plating :Bright pure tin white or transparent color
- Accessories: Bright pure tin white or transparent color
- Packaging spec: See GS-14-920

# DBML25S043NLF

Series

Shell size: **E A B C D**  
see sheet 2

Front accessory definition  
see sheet 2

- Blank** :without accessory
- F** :floating mounting
- L** :threaded insert M3
- O** :threaded insert UNC 4-40
- V** :female screw UNC 4-40

Contact number (see sheet 2)  
**9,15,25,37,50**

Contacts

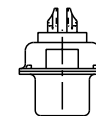
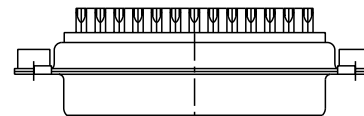
- S** :Socket

Plating

- Blank** :solder bucket 500 matings/unmatings
- 043** :solder bucket 500 matings/unmatings for harsh environment

See note RoHS

Obligatory for HE508

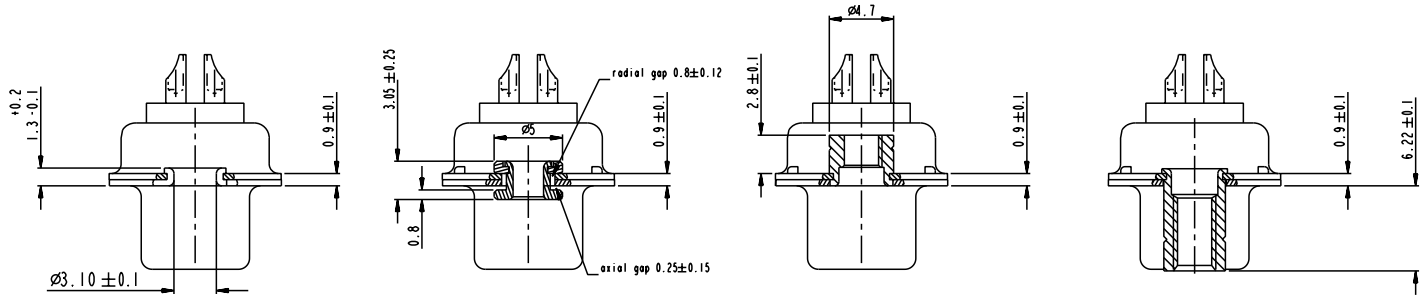


25 WAY for Example

rev	ecn no	dr	date
A	LS06-0008	MPE	2006/01/16
B	LS07-0235	MPE	2007/09/14
C	LS07-0273	MPE	2007/10/30
-	-	-	-
-	-	-	-
-	-	-	-

www.fciconnect.com		surface	ISO 1302	tolerance std	ISO 406	ISO 1101	projection	mm
		TOLERANCES UNLESS OTHERWISE SPECIFIED			0.X	±0.3	size	Scale
		ANGULAR	LINEAR	0.XX	±0.1	ECN	LS07-0273	2:1
		0° ±2°		0.XXX	±0.05	Spec ref		
Dr M PESSON		11/10/05		Product family		-		
Eng 11/10/05		P LEGARE		SUB FEMALE DM HE508 serie		C01-8637-1713		Rev. C
Chr		Appr		with solder bucket		CUSTOMER		sheet 1 of 4
Title		FCI		catalog no				

Copyright FCI, FCI



FRONT ACCESSORY	<b>Blank</b> without	<b>F</b> floating mounting	<b>L</b> insert M3 <b>O</b> insert UNC 4.40	<b>V</b> female screw UNC 4.40
-----------------	----------------------	----------------------------	--	--------------------------------

PART NUMBER	FRONT ACCESSORY
D*MxxSNLF	without
D*MFxxSNLF	floating mounting
D*MLxxSNLF	insert M3
D*MOxxSNLF	insert UNC 4.40
D*MVxxSNLF	female screw UNC 4.40

shell size	Contact number
*	XX
E	09
A	15
B	25
C	37
D	50

PART NUMBER	FRONT ACCESSORY
D*MxxS043NLF	without
D*MFxxS043NLF	floating mounting
D*MLxxS043NLF	insert M3
D*MOxxS043NLF	insert UNC 4.40
D*MVxxS043NLF	female screw UNC 4.40

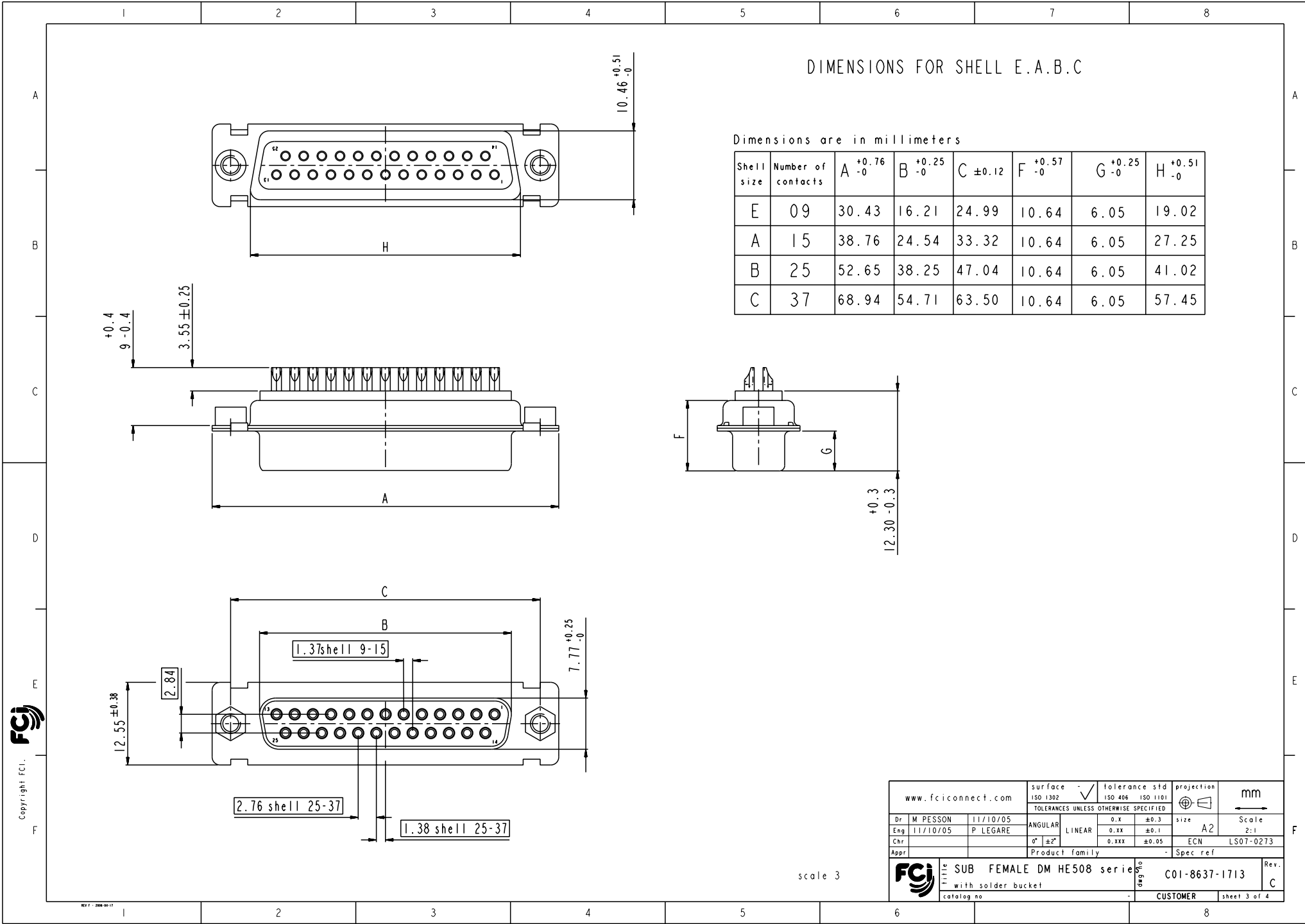
CROSS REFERENCES HE508 and FCI

HE508 P/N	FCI P/N	FRONT ACCESSORY
HE508NxxAS	D*MxxSNLF	without
HE508FxxAS	D*MFxxSNLF	floating mounting

Copyright FCI, FCJ

www.fciconnect.com		surface ISO 1302	tolerance std ISO 406 ISO 1101	projection mm
		TOLERANCES UNLESS OTHERWISE SPECIFIED		
Dr M PESSON	11/10/05	ANGULAR	0.X ±0.3	size A2 Scale 2:1
Eng 11/10/05	P LEGARE	LINEAR	0.XX ±0.1	ECN LS07-0273
Chr		0° ±2°	0.XXX ±0.05	Spec ref
Appr		Product family		
FCJ		SUB FEMALE DM HE508 serie		Rev. C
		with solder bucket		C01-8637-1713
		catalog no		CUSTOMER sheet 2 of 4

SCALE: 4



Copyright FCI.

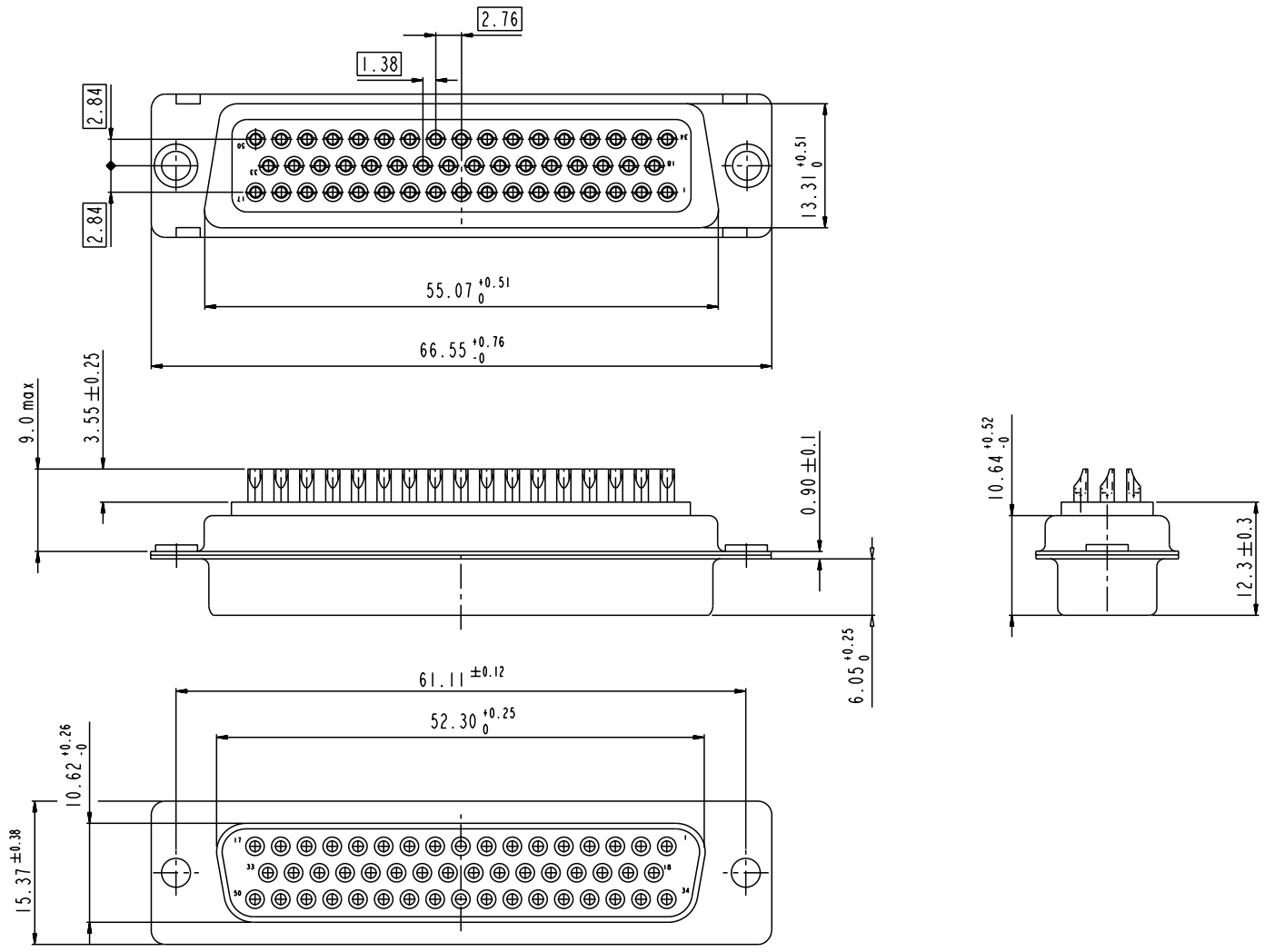


www.fciconnect.com		surface ISO 1302	tolerance std ISO 406 ISO 1101	projection mm
		TOLERANCES UNLESS OTHERWISE SPECIFIED		
Dr M PESSON	11/10/05	ANGULAR	0.X ±0.3	size A2 Scale 2:1
Eng 11/10/05	P LEGARE	LINEAR	0.XX ±0.1	ECN LS07-0273
Chr		0° ±2°	0.XXX ±0.05	Spec ref
Appr		Product family		

scale 3

	TITLE	SUB FEMALE DM HE508 serie	Rev. C
	with solder bucket	catalog no	C01-8637-1713
	CUSTOMER	sheet 3 of 4	

DIMENSIONS FOR SHELL SIZE D (50 CONTACTS)



Copyright FCI. **FCI**

scale 3

www.fciconnect.com		surface ISO 1302	tolerance std ISO 406 ISO 1101	projection mm
		TOLERANCES UNLESS OTHERWISE SPECIFIED		
Dr M PESSON	11/10/05	ANGULAR	0.X ±0.3	size A2 Scale 2:1
Eng 11/10/05	P LEGARE	LINEAR	0.XX ±0.1	ECN LS07-0273
Chr		0° ±2°	0.XXX ±0.05	Spec ref
Appr		Product family		
<b>FCI</b>		SUB FEMALE DM HE508 serie		Rev. C
with solder bucket		ang no	C01-8637-1713	C
catalog no		CUSTOMER		sheet 4 of 4