

Fully-Insulated Quick Disconnects

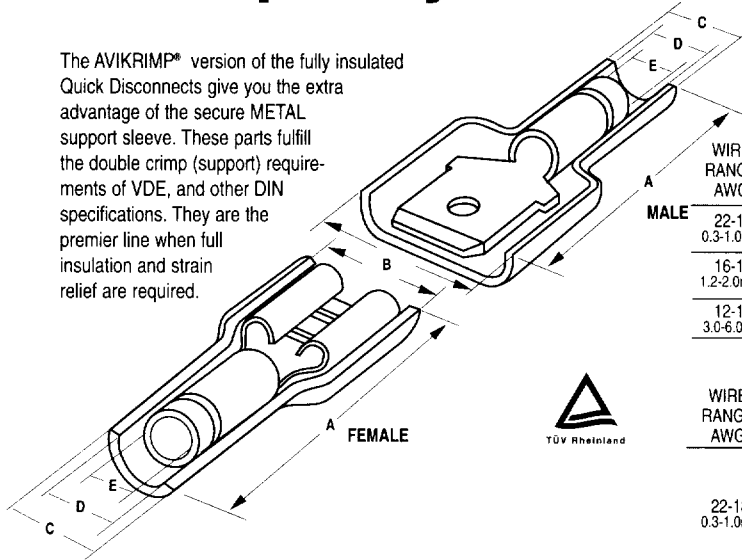


1-800-800-0449



Avikrimp® Fully-Insulated Quick Disconnects

The AVIKRIMP® version of the fully insulated Quick Disconnects give you the extra advantage of the secure METAL support sleeve. These parts fulfill the double crimp (support) requirements of VDE, and other DIN specifications. They are the premier line when full insulation and strain relief are required.



FULLY INSULATED MALE QUICK DISCONNECTS

WIRE RANGE AWG	MALE TAB SIZE	PART NUMBER	COLOR	STOCK	A MAX.	B MAX.	C MAX.	D MWID	E MIN.
22-18 0.3-1.0mm ²	.250x.032	AA-5260	Red	.031	.96	.45	.22	.140	.056
	.187x.020	AA-5266	Red	.020	.90	.38	.22	.140	.056
16-14 1.2-2.0mm ²	.250x.032	BB-5262	Blue	.031	.96	.45	.25	.170	.084
	.187x.020	BB-5268	Blue	.020	.90	.38	.25	.170	.084
12-10 3.0-6.0mm ²	.250x.032	C-5264	Yellow	.031	1.08	.45	.31	.230	.144

FULLY INSULATED FEMALE QUICK DISCONNECTS

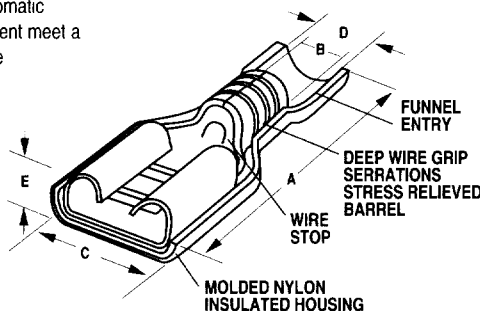
WIRE RANGE AWG	ACCEPTS TAB SIZE	PART NUMBER	COLOR	STOCK	A MAX.	B MAX.	C MAX.	D MWID	E MIN.
22-18 0.3-1.0mm ²	.250x.032	AA-5261	Red	.016	.89	.38	.19	.125	.062
	.187x.020	AA-5267	Red	.016	.80	.32	.19	.125	.062
	.187x.032	AA-5271	Red	.016	.80	.32	.19	.125	.056
	.205x.020	AA-5283	Red	.016	.80	.32	.19	.125	.062
	.205x.032	AA-5285	Red	.016	.80	.32	.19	.125	.062
	.110x.020	AA-5275	Red	.012	.80	.23	.19	.125	.056
16-14 1.2-2.0mm ²	.110x.032	AA-5279	Red	.012	.80	.23	.19	.125	.056
	.250x.032	BB-5263	Blue	.016	.89	.38	.22	.155	.082
	.187x.020	BB-5269	Blue	.016	.80	.32	.22	.155	.082
	.187x.032	BB-5273	Blue	.016	.80	.32	.22	.155	.082
	.205x.020	BB-5287	Blue	.016	.80	.32	.22	.155	.082
	.205x.032	BB-5289	Blue	.016	.80	.32	.22	.155	.082
12-10 3.0-6.0mm ²	.110x.020	BB-5277	Blue	.012	.80	.23	.22	.155	.082
	.110x.032	BB-5281	Blue	.012	.80	.23	.22	.155	.082
	.250x.032	C-5265	Yellow	.018	1.04	.38	.31	.245	.144

NOTE: For parts on mylar tape, add "T" at the end of loose piece part number. For parts on metal strip add "Z" at the end of loose piece part number.

4

Insulkrimp® Fully-Insulated Quick Disconnects

- Designed for dense packaging requirements; the profile height is lower than other competing products on the market.
- Integrity of mechanical/electrical performance is assured for wire secureness, operating temperatures, tensile strength, dielectric parameters and insertion/ extraction forces by meeting UL 310 standards (Listed under UL File E 79133).
- Color-coded translucent insulator allows easy identification of terminal size and wire gauge: RED for 22-18 AWG, BLUE for 16-14 AWG and YELLOW for both 26-24 AWG and 12-10 AWG. (Wire size is also stamped on the terminal and visible through the insulator.)
- Translucent "see-through" insulator provides fast, on-line Quality Control inspection by allowing a quick visual check of the wire/terminal assembly.
- Terminal's funnel entrance is designed for increased crimping rates by speeding wire delivery into the crimp section and eliminating wire strand fold back.
- A wire stop stamped into the crimp barrel prevents insertion of over-stripped wires.
- MOLEX-ETC's automatic terminating equipment meet a full range of volume requirements, from 3600 terminations per hour to low-volume prototype applications.



Fully-Insulated Insulkrimp® Female Quick-Disconnects (Standard Flare)

Wire Range	Accepts Tab Size	Part Number	Color	Stock	A Max.	B Min.	C Max.	D MWID	E Max.
26-24 AWG 12-0.2mm ²	.250 x .032	M-2212	YELLOW	.016	.86	.030	.380	.075	.180
	.187 x .032	M-2211	YELLOW	.016	.78	.030	.316	.075	.160
	.187 x .020	M-2210	YELLOW	.016	.78	.030	.316	.075	.160
22-18 AWG 0.3-1.0mm ²	.250 x .032	AA-2201	RED	.016	.86	.058	.380	.135	.180
	.187 x .020	AA-2202	RED	.016	.78	.058	.316	.135	.160
	.187 x .032	AA-2203	RED	.016	.78	.058	.316	.135	.160
	.205 x .020	AA-2213	RED	.016	.78	.058	.316	.135	.160
	.205 x .032	AA-2214	RED	.016	.78	.058	.316	.135	.160
	.110 x .020	AA-2204	RED	.012	.78	.058	.230	.135	.150
16-14 AWG 1.2-2.0mm ²	.110 x .032	AA-2205	RED	.012	.78	.058	.230	.135	.150
	.250 x .032	BB-2206	BLUE	.016	.86	.083	.380	.145	.180
	.187 x .020	BB-2207	BLUE	.016	.78	.083	.316	.160	.170
	.187 x .032	BB-2208	BLUE	.016	.78	.083	.316	.160	.170
	.205 x .020	BB-2215	BLUE	.016	.78	.083	.316	.160	.170
	.205 x .032	BB-2216	BLUE	.016	.78	.083	.316	.160	.170

Fully-Insulated Insulkrimp® Female Quick-Disconnects (Expanded Flare)

Wire Range	Accepts Tab Size	Part Number	Color	Stock	A Max.	B Min.	C Max.	D MWID	E Max.
22-18 AWG 0.3-1.0mm ²	.250 x .032	AA-2201X	RED	.016	.935	.058	.380	.230	.180
	.187 x .020	AA-2202X	RED	.016	.86	.058	.316	.230	.160
	.187 x .032	AA-2203X	RED	.016	.86	.058	.316	.230	.160
	.110 x .020	AA-2204X	RED	.012	.86	.058	.230	.230	.150
	.110 x .032	AA-2205X	RED	.012	.86	.058	.230	.230	.150
16-14 AWG 1.2-2.0mm ²	.250 x .032	BB-2206X	BLUE	.016	.935	.083	.380	.260	.180
	.187 x .020	BB-2207X	BLUE	.016	.86	.083	.316	.260	.170
	.187 x .032	BB-2208X	BLUE	.016	.86	.083	.316	.260	.170
12-10 AWG 3.0-6.0mm ²	.250 x .032	C-2265	YELLOW	.018	1.04	.150	.380	.275	.290

NOTE: For parts on mylar tape, add "T" at the end of loose piece part number. For parts on continuous molded carrier add "C" at the end of loose piece part number.