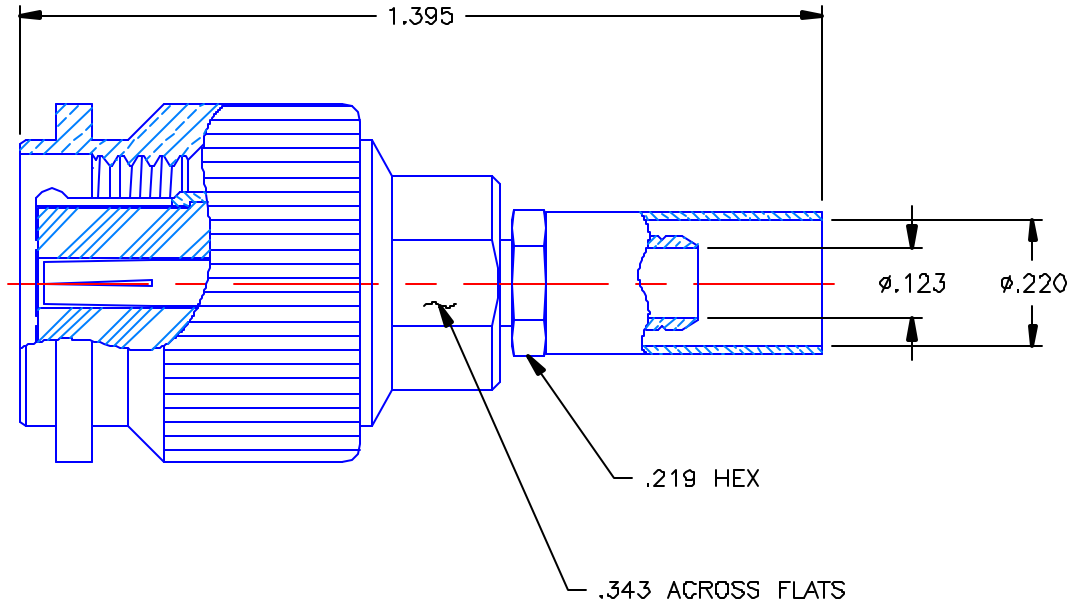


PROPRIETARY INFORMATION  
 NOT TO BE RELEASED  
 WITHOUT WRITTEN PERMISSION  
 FROM AN AUTHORIZED  
 REPRESENTATIVE OF  
 APPLIED ENGINEERING PRODUCTS

REVISIONS			
REV	DESCRIPTION	DATE	APPROVED
-	INITIAL RELEASE	12/15/99	A.M.




NOTES:

MATERIALS:

- BODY, NUTS & CONTACT FINGERS = BRASS PER ASTM B16, ALLOY C36000, TEMPER H02.
- INSULATOR = VIRGIN WHITE TEFLON PER ASTM D1710, GRADE 1, TYPE I, CLASS "A".
- CONTACT & WASHER = BERYLLIUM COPPER PER ASTM B196, ALLOY C17300, TEMPER TD04.
- CRIMP SLEEVE = SEAMLESS COPPER TUBING PER ASTM B75, TYPE C12000, TEMPER LIGHT ANNEAL 050, EXCEPT YIELD STRENGTH
- GASKET = SILICONE RUBBER PER MIL-R-5847.
- SHRINK SLEEVE (NOT SHOWN) = RNF 100 POLYOLEFIN, BLUE.

FINISHES:

- BODY, NUTS, SLEEVE & CONTACT FINGERS = NICKEL PLATE PER QQ-N-290, CLASS 1, GRADE G, EXCEPT .0001 TO .0002 THICK OVER .00005 TO .0001 THICK COPPER PER MIL-C-14550.
- CONTACT = GOLD PLATE PER MIL-G-45204, TYPE II, CLASS 1, GRADE C, OVER .00010 TO .00020 STRESS FREE SULFAMATE NICKEL PER QQ-N-290.

UNLESS OTHERWISE SPECIFIED DIMENSIONS ARE IN INCHES TOLERANCES ON		DWN: A.M.	DATE 10/18/99	 <b>APPLIED ENGINEERING PRODUCTS</b> 104 John W Murphy Dr. New Haven, CT 06513
		CHKD: G.L.	DATE 12/02/99	
DECIMAL	ANGLE	APVD: D.N.	DATE 12/15/99	<b>STRAIGHT TNC FEMALE PLUG</b> <b>SOLDER/CRIMP</b> <b>TO RG-142</b>
REFERENCE:		MATERIALS & FINISHES:  SEE NOTES		
ORIGINATOR: A.M. DATE: 10/18/99		SIZE A	FSCM NO. 19505	DWG NO. 6080-7071-001
		SCALE 3:1	CODE	REV - SHEET 1 OF 1

6080-7071-001