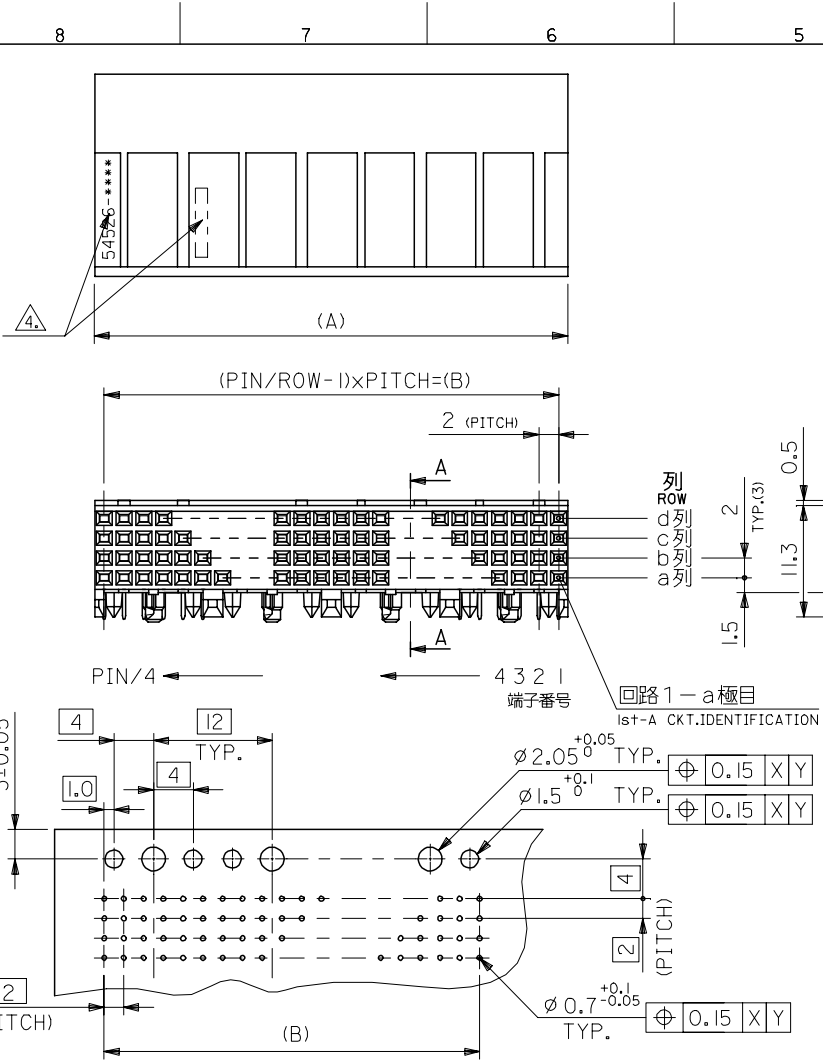
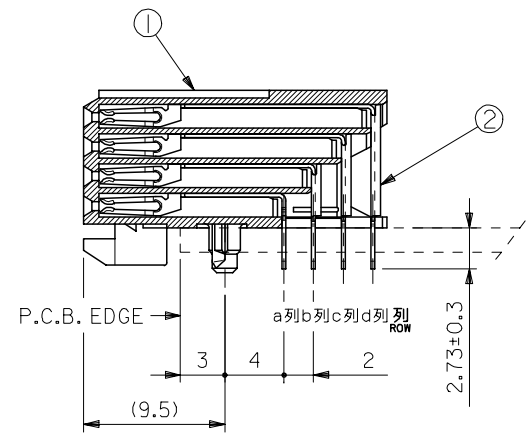


DWG. 10.
SD-54526-002



番号 No.	部品 PART NAME	材質 MATERIAL	仕上げ FINISH
①	リセプタクル ハウジング RECEPTACLE HOUSING	液晶ポリマー、ガラス充填、自然色(白)、UL94V-0 LCP, GLASS FILLED, NATURAL(WHITE), UL94V-0	—
②	リセプタクル ターミナル RECEPTACLE TERMINAL	リン青銅 PHOSPHOR BRONZE	△1



A-A
(NON-SCALE)

注記
NOTE :

- △ターミナル めっき仕様
TERMINAL PLATING
金めっき: 0.76 μm MIN. (接点部)
GOLD : 0.76 μm MIN. (CONTACT AREA)
Tin: 1.0 ~ 2.5 μm. (半田付け部)
TIN : 1.0 ~ 2.5 μm. (SOLDER AREA)
ニッケルメッキ: 2.0 μm MIN. (下地めっき)
NICKEL : 1.0 μm MIN. (UNDER PLATING)
- 2.推奨基板厚: t=1.6
RECOMMENDED P.C.B. THICKNESS : t=1.6
- 3.適合プラグ: 53901-***5, 55222-***5, 55089-***5
APPLICABLE PLUG : 53901-***5, 55222-***5, 55089-***5
- △製品番号及びロットナンバー
MATERIAL NO. & LOT NO.

94	95.98	54526-1929	192
58	59.98	54526-1209	120
46	47.98	54526-0969	96
22	23.98	54526-0489	48
10	11.98	54526-0249	24
B	A	MATERIAL NO. PIN	

基板穴推奨寸法 (部品実装)

RECOMMENDED P.C.B. LAYOUT (COMPONENT SIDE)

DO NOT SCALE DRAWING					MODEL NO. : 54526-***9		DIMENSIONS:		SHT	REV	
EC NO. DRWN: CHK: APPR:	EC NO. DRWN: CHK: APPR:	EC NO. DRWN: CHK: APPR:	EC NO. DRWN: CHK: APPR:	EC NO. DRWN: CHK: APPR:	GENERAL TOLERANCES: (UNLESS SPECIFIED) 一般公差	SCALE 2-1	DESIGN UNITS <input checked="" type="checkbox"/> mm <input type="checkbox"/> INCH	<input type="checkbox"/> mm <input type="checkbox"/> mm <input checked="" type="checkbox"/> mm ONLY	<input type="checkbox"/> mm <input type="checkbox"/> mm <input checked="" type="checkbox"/> mm ONLY	THIRD ANGLE PROJECTION	REVISE ON CAD ONLY
					10 UNDER 未満	±0.2	DRAWN BY & DATE Harvey Wang Sep.08'04	TITLE: "MFB" B/B CONN. (FB+) REC. ASS'Y 4ROWS DIP (LEAD FREE)			
					10 OVER 以上 30 UNDER 未満	±0.25	CHECKED BY & DATE Grate Ma Sep.08'04	MOLEX INCORPORATED			
					30 OVER 以上	±0.3	APPROVED BY & DATE	MATERIAL NO. SEE TABLE			
					WIRE RANGE 適用電線範囲		CAD FILENAME 54526001.S01	DRAWING NO. SD-54526-002		SHEET NO. 1 OF 1	
					INS. RANGE 被覆外径		THIS DRAWING CONTAINS INFORMATION THAT IS PROPRIETARY TO MOLEX INCORPORATED AND SHOULD NOT BE USED WITHOUT WRITTEN PERMISSION.				SIZE B