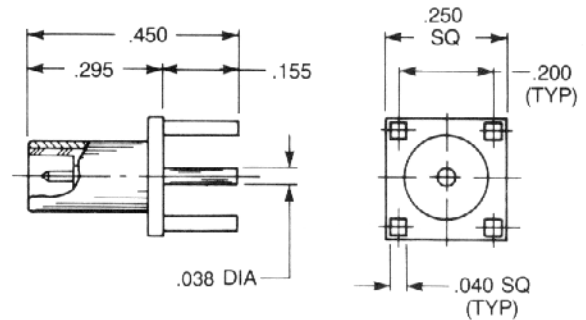




Straight Male Jack Receptacle

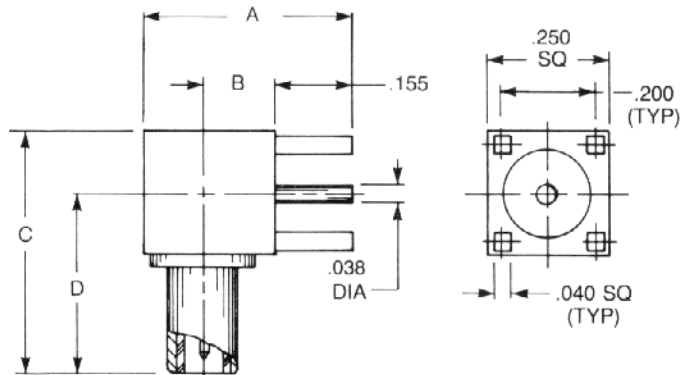
- 3009-1511-000 (Gold plated)
- 3009-7511-000 (Nickel plated)



Right Angle Male Jack Receptacle

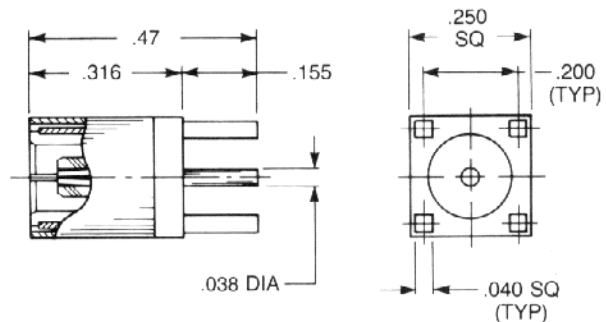
A	B	C	D
.43	.15	.50	.38
3010-1511-000 (Gold plated)			
3010-7511-000 (Nickel plated)			

A	B	C	D
.50	.215	.56	.437
3010-1511-003 (Gold plated)			
3010-7511-003 (Nickel plated)			



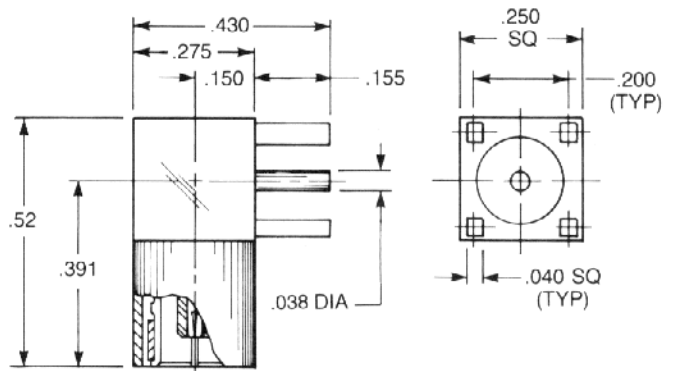
Straight Female Plug Receptacle

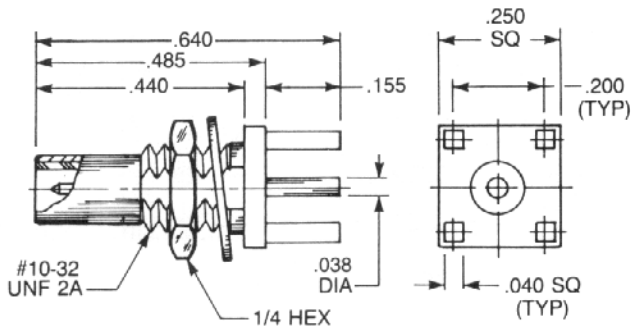
- 3025-1511-000 (Gold plated)
- 3025-7511-000 (Nickel plated)
- See page 97 for blind-mate version



Right Angle Female Plug Receptacle

- 3042-1511-000 (Gold plated)
- 3042-7511-000 (Nickel plated)
- See page 97 for blind-mate version

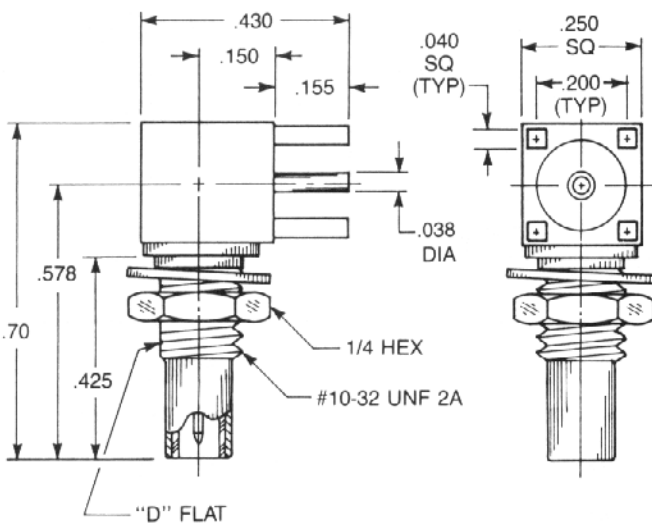




Bulkhead Mounted Straight Male Jack P.C. Board Receptacle

- 3109-1511-000 (Gold plated)
- 3109-7511-000 (Nickel plated)

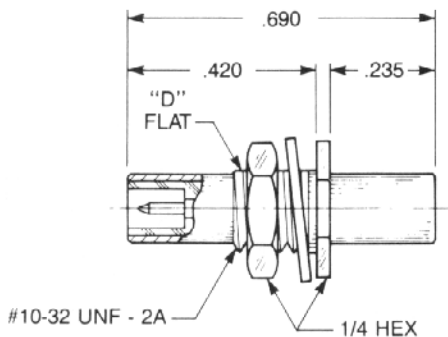
See page 97 for float-mount version



Bulkhead Mounted Right Angle Male Jack P.C. Board Receptacle

- 3110-1511-000 (Gold plated)
- 3110-7511-000 (Nickel plated)

See page 97 for float-mount version



Bulkhead Mounted Straight Male Jack to Jack Adapter

- 5252-1501-000 (Gold plated)
- 5252-7501-000 (Nickel plated)

See page 96 for float-mount version