

MJE Series: Right Angle Modular Jacks with LED, Thru-Hole

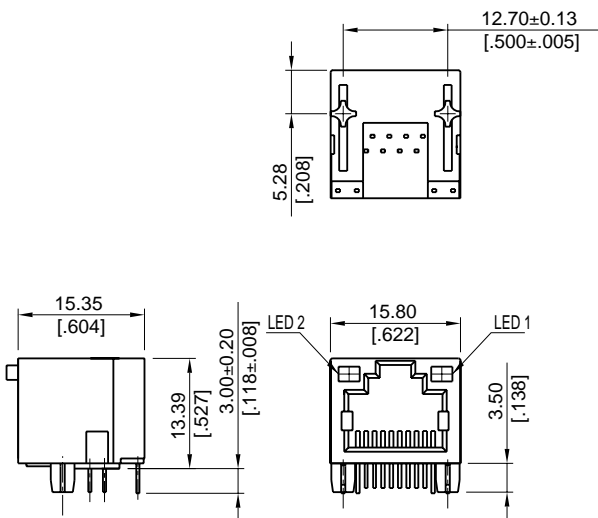


Features

- Meets FCC requirements
- Thru-hole and surface mount
- Various LED configurations available

Dimensions & PCB Layout

Thru-hole, Non Shielded



Performance Specifications

Materials and Finish

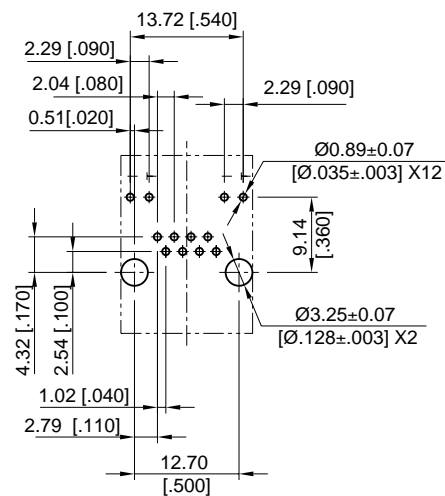
Housing:	Glass filled polyester, UL 94V-0 rated, black
Shield:	Copper alloy plated with 40 µin minimum nickel
Contact:	0.35 mm phosphor bronze
Contact Plating:	30 µin gold over nickel

Mechanical Characteristics

Durability:	1000 mating cycles
-------------	--------------------

Electrical Characteristics

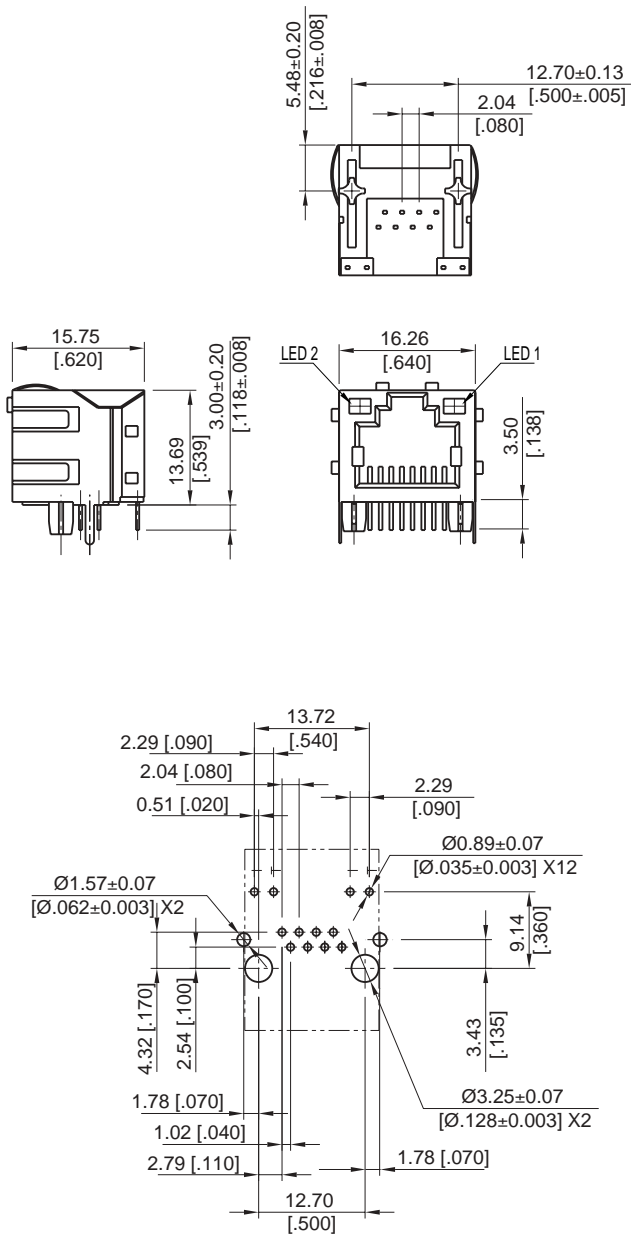
Current/Voltage:	125 Vac at 1.5 Amps maximum at 25° C
Dielectric Withstanding Voltage:	1,000 Vac RMS minimum, 60 Hz
Insulation Resistance:	500 megaohms minimum
Contact Resistance:	30 milliohms maximum
LED Operating Voltage:	2.0 typ, 2.5 maximum @ I _f = 20 mA



MJE Series: Right Angle Modular Jacks with LED, Thru-Hole

Dimensions & PCB Layout

Thru-hole, Shielded with Panel Flanges



MJE Series: Right Angle Modular Jacks with LED, Thru-Hole LED Colors and Codes

	Left	Right	LED Code
	YELLOW	GREEN	L1
	GREEN	YELLOW	L2
	GREEN	GREEN	L3
	GREEN	RED	L4
	RED	GREEN	L5
	BLANK	GREEN	L6
	YELLOW	BLANK	L7
	YELLOW	YELLOW	L8
	ORANGE/GREEN	ORANGE/GREEN	L9
	YELLOW/GREEN	YELLOW/GREEN	L10
	GREEN/ORANGE	YELLOW	L11
	GREEN	BLANK	L12
	YELLOW	RED	L13
	RED/GREEN	RED/GREEN	L14
	ORANGE/GREEN	YELLOW	L15
	ORANGE/GREEN	GREEN	L16
	GREEN	RED/GREEN	L17



MJE Series: Right Angle Modular Jacks with LED, Thru-Hole

Ordering Information

Left LED	Right LED		Part Number
Yellow	Green	Non-Shielded	133749
		Shielded w/ Panel Flanges	133744
Green	Yellow	Non-Shielded	133750
		Shielded w/ Panel Flanges	133745
Green	Green	Non-Shielded	133569
		Shielded w/ Panel Flanges	133746
Yellow	Yellow	Non-Shielded	133751
		Shielded w/ Panel Flanges	133747
Orange/Green	Orange/Green	Non-Shielded	133752
		Shielded w/ Panel Flanges	133748