

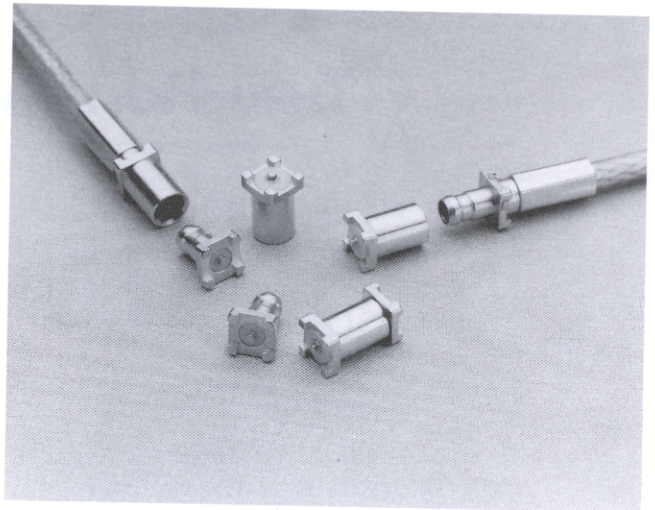
SABRITEC

SCX-SERIES COAXIAL CONNECTORS

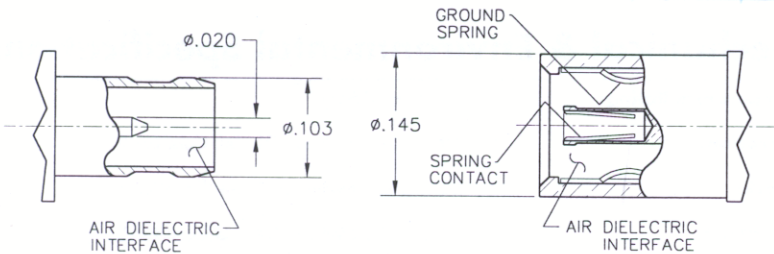
SCX SERIES SURFACE MOUNT CONNECTORS

Sabritec's new SCX offers improved space utilization without compromising mechanical performance. The connector features an overall .125" max diameter and exceptionally low VSWR up to 18 GHz (VSWR=1.25 max., mated pair). The SCX surface mount series, with a constant 50-ohm characteristic impedance, exceeds the electrical performance criteria of existing surface mount connector products used in RF systems. This connector series is ideal for low profile board-board stacking arrangements where overall mated component height is important. The SCX series also features a quick connect/disconnect mating scheme which mimicks the rugged Sabritec ultraminiature "M" Series design.

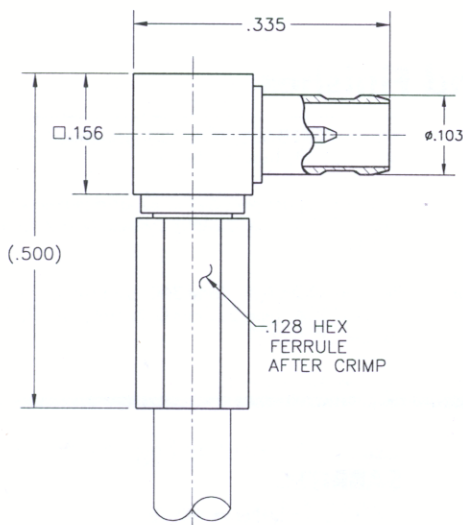
Other configurations include a thru-hole PCB mount, an edge card mount and compliant pin versions as well as shortened right angle configurations for tight board spacing applications.



SCX Series Surface Mount Coax Connectors



Interface Dimensions



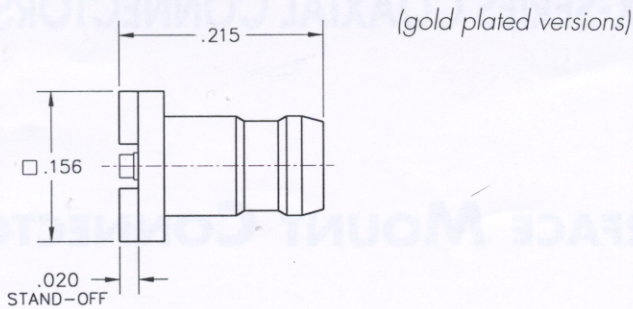
*SCX Right Angle Plug
P/N 013220-1008*

Features and Benefits

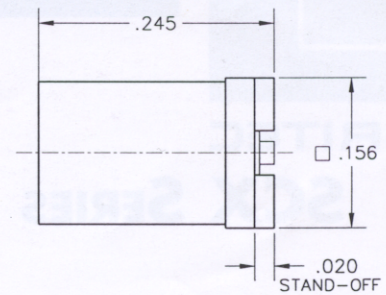
- ◆ Extremely small (.125" dia. max overall)
- ◆ Shortened mated pair length, .375"
- ◆ Captive center conductor
- ◆ Detent locking
- ◆ Integrated strain relief
- ◆ Crimp outer braid terminations
- ◆ Suitable for various cable types
- ◆ Heat-treated beryllium spring fingers
- ◆ Gold or nickel plated

Cable Type for Right Angle Plug	Sabritec Part Number: Gold Plated	Sabritec Part Number: Nickel Plated
RG-316	013220-1008	013220-1108
RG-178	013220-1009	013220-1109
Semi-Rigid Cable RG-405	013220-1010	013220-1110
Sabritec Low-Loss 540-1090-000	013220-1011	013220-1111

SURFACE MOUNT SCX CONNECTORS

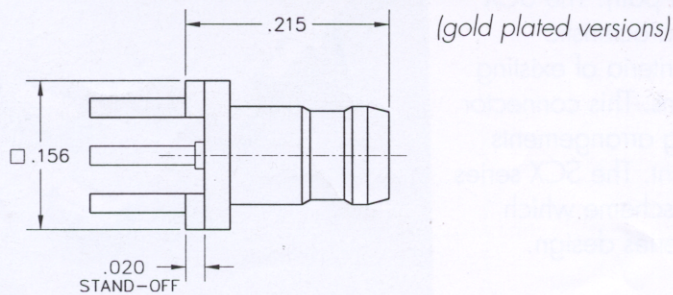


SCX Surface Mount Plug P/N 013200-2023

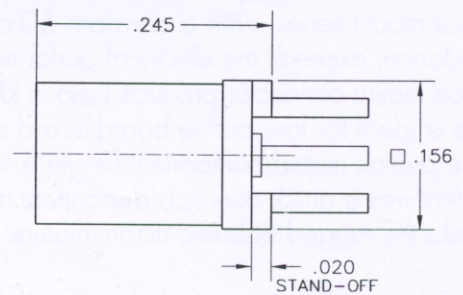


SCX Surface Mount Receptacle P/N 013100-2023

THRU-HOLE MOUNT PCB CONNECTORS



SCX Thru-Hole Plug P/N 013200-2024



SCX Thru-Hole Receptacle P/N 013100-2024

SPECIFICATIONS

Electrical Characteristics

Impedance:	50-ohm constant air line
Frequency Range:	DC to 18 GHz impedance
VSWR:	1.25 max (mated pair)
DWV:	500 VRMS @ sea level
Insulation Resistance:	1000 megohms min.
Voltage Rating:	250 VRMS @ sea level
Contact Current Rating:	1.5 amps, DC, max

Mechanical & Environmental Specifications

Temperature Rating:	-65° C to +165° C
Corrosion:	MIL-STD-202 Method 101, Test Condition B
Shock:	MIL-STD-202 Method 213, Test Condition B
Vibration:	MIL-STD-202 Method 204, Test Condition B
Thermal Shock:	MIL-STD-202 Method 107, Test Condition B
Durability:	1000 Mate/Unmate cycles min
Engagement Disengagement Force (Snap-On SCX):	1.0 lb min

Contact Terminations

- Cable Crimp
- PC Tail
- Surface Mount
- Edge Card Mount
- Compliant Pin
- Other Termination Methods Available Upon Request

Materials and Finishes

Center Contacts:	Brass per QQ-B-626, Alloy 360, gold plated per MIL-G-45204, Type 2, Class 1
Spring Fingers:	Beryllium Copper per QQ-C-530, gold plated per MIL-G-45204, outer & center contacts Type 2, Grade C, Class 1
Plug Body & Receptacle:	Brass per QQ-B-626, Alloy 360, gold plated per MIL-G-45204, Type 2, Class 0. Nickel plate .0002" min per QQ-N-290
Insulators:	PTFE per ASTM D-1710