

6

5

4

3

2

1

MATERIAL AND FINISH

Insulator: PBT, UL-94V-0 rated, color (see ordering code)
 Shell: Brass, Nickel plated
 Contacts: Phosphor Bronze, Gold (see chart) on mating end, Tin on termination end all over Nickel plated

MECHANICAL SPECIFICATIONS:

Durability: 1500 cycles at 15 to 20 cycles per minute
 Insertion force: 35 N max.
 Withdrawal force: 10 N max.

ELECTRICAL SPECIFICATIONS:

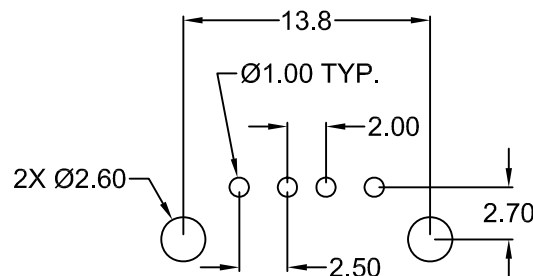
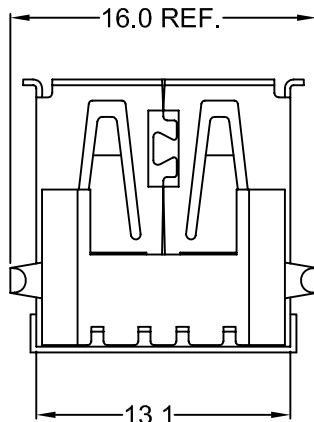
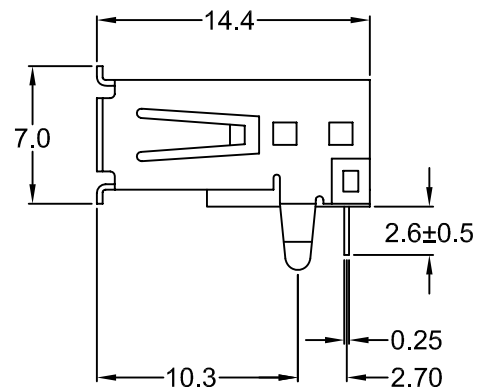
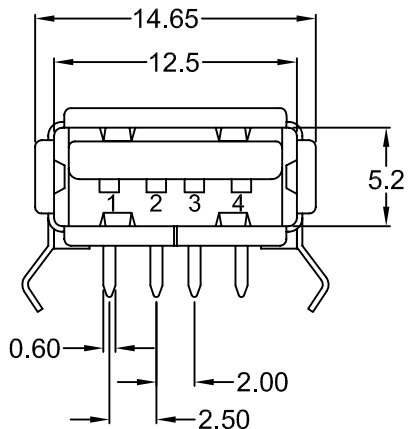
Rated current: 1 A max.
 Rated voltage: 250 VAC max.
 Insulation resistance: 100 Mohm min. at 500 VDC
 Dielectric withstanding voltage: 250 VAC for one minute
 Contact resistance: 30 mohm max.
 Contact capacitance: 2 pF max.

ENVIRONMENTAL:

Operating temperature: -40°C to +85°C

SOLDERABILITY:

Solder time: 5 sec.±0.5 sec.
 Solder temp: 245°C±5°C



RECOMMENDED PCB LAYOUT (TOP VIEW)

ORDERING CODE:
 USB-FA1RP
 1 2

- 1) INSULATOR COLOR
 1 = BEIGE
 2 = BLACK
 3 = WHITE
- 2) PLATING
 SEE CHART

**RoHS
 COMPLIANT**

REVISIONS	REV	DATE	CHANGE	CHNG CHECK	APPR
	A	2/25/05	CONTACT TERM END WAS TIN LEAD SHELL WAS TIN PLATED-ADD R&RS	PB	

P/N	PLATING
USB-FA1RPX1	GOLD FLASH
USB-FA1RPX2	10µ"
USB-FA1RPX3	15µ"
USB-FA1RPX4	30µ"

TOLERANCE UNLESS OTHERWISE SPECIFIED	
X	± 1
X.X	± 0.4
X.XX	± 0.20
DRAWN BY	GQ
CHECK BY	TD
APPR BY	PB
DATE:	06/21/02
DATE:	07/02/02
DATE:	07/02/02

Power Dynamics, Inc.
 Phone: 973 560-0019 Whippany, New Jersey Fax: 973 560-0076
 PART: USB CONNECTOR, 'A' TYPE, FEMALE 90°, 1 PORT, PCB PINS

USB-FA1RPXX		SHEET 1 of 1
PART #:	USB-FA1RPXX	
SIZE: A	ALL DIMENSIONS FOR REFERENCE ONLY DIMENSIONS ARE IN MILLIMETERS	
SCALE: NTS	REV: A	

6

5

4

3

2

1

6

5

4

3

2

1

MATERIAL AND FINISH:

Insulator: PBT, UL-94V-0 rated, color (see ordering code)

Shell: Copper alloy, Nickel plated

Contacts: Copper alloy, Gold (see chart) on mating end, Tin on termination end. Entire contact Nickel underplated

ELECTRICAL SPECIFICATIONS:

Rated current: 1 Amp

Rated voltage: 30 VAC

Insulation resistance: 1000 Mohm min. at 500 VDC

Dielectric withstanding voltage: 500 VAC for one minute

Contact resistance: 30 mohm max.

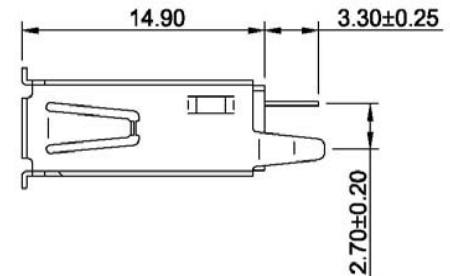
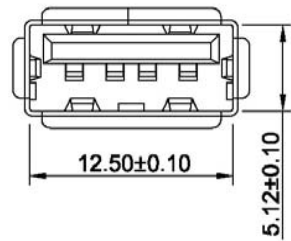
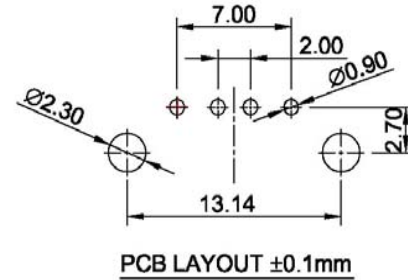
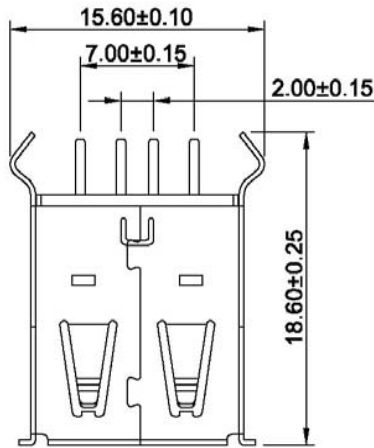
SOLDERABILITY:

Solder time: 5 sec. ± 0.5 sec.

Solder temp: 235°C ± 5°C

ENVIRONMENTAL:

Operating temperature: -20°C to +85°C



ORDERING CODE:

USB-FA1SP 1 2

1) INSULATOR COLOR

- 1 = BEIGE
- 2 = BLACK
- 3 = WHITE

**2) PLATING
SEE CHART**

P/N	PLATING
USB-FA1SPX1	GOLD FLASH
USB-FA1SPX2	10µ"
USB-FA1SPX3	15µ"
USB-FA1SPX4	30µ"

REV	DATE	CHANGE	CHNG CHECK APPR	
			PB	PB
A	10/25/05	REV. PLATING; ADD RoHS		
B	9/22/10	UPDATED DIMS & SPECS		

TOLERANCE UNLESS OTHERWISE SPECIFIED		
X	±	1
X.X	±	0.4
X.XX	±	0.20

DRAWN BY	GQ	DATE:	06/25/02
CHECK BY	TD	DATE:	06/26/02
APPR BY	PB	DATE:	06/26/02

Power Dynamics, Inc.

Phone: 973 560-0019 Whippany, New Jersey Fax: 973 560-0076

PART: USB CONNECTOR; 'A' TYPE, FEMALE 180°C
1 PORT; PCB MOUNT

PART #: USB-FA1SPXX		SHEET 1 of 1
SIZE: A	ALL DIMENSIONS FOR REFERENCE ONLY DIMENSIONS ARE IN MILLIMETERS	REV: B
SCALE: NTS		

6

5

4

3

2

1