



## Features

- Available in E6 series
- Low unit height of 4.8 mm
- High current
- Lead free version available (see How to Order)
- Lead free versions are RoHS compliant\*

## Applications

- Input/output of DC/DC converters
- Power supplies for:
  - Portable communication equipment
  - Camcorders
  - LCD TVs
  - Car radios

# SRR0604 Series - Shielded Power Inductors

## Electrical Specifications

Bourns Part No.	Inductance 1kHz		Q Ref.	Test Frequency (MHz)	SRF Min. (MHz)	RDC (Ω)	I rms Max. (A)	I sat Typ. (A)
	(μH)	Tol. %						
SRR0604-1R5M_	1.5	± 20	23	7.96	110.0	0.028	2.80	3.95
SRR0604-2R5M_	2.5	± 20	21	7.96	100.0	0.035	2.50	3.50
SRR0604-3R3M_	3.3	± 20	21	7.96	90.0	0.050	2.30	2.90
SRR0604-4R7M_	4.7	± 20	10	7.96	50.0	0.060	2.00	2.55
SRR0604-6R8M_	6.8	± 20	20	7.96	37.0	0.070	1.60	2.05
SRR0604-100M_	10	± 20	18	2.52	30.0	0.12	1.30	1.80
SRR0604-150M_	15	± 20	18	2.52	30.0	0.13	1.10	1.45
SRR0604-220M_	22	± 20	16	2.52	25.0	0.19	0.90	1.20
SRR0604-330K_	33	± 10	16	2.52	21.0	0.25	0.70	0.95
SRR0604-470K_	47	± 10	15	2.52	18.0	0.35	0.60	0.80
SRR0604-680K_	68	± 10	15	2.52	15.0	0.52	0.50	0.68
SRR0604-101K_	100	± 10	23	0.796	13.0	0.65	0.40	0.57
SRR0604-151K_	150	± 10	21	0.796	12.0	1.00	0.30	0.47
SRR0604-221K_	220	± 10	20	0.796	10.0	1.70	0.25	0.32
SRR0604-331K_	330	± 10	18	0.796	7.0	2.10	0.20	0.28
SRR0604-471K_	470	± 10	18	0.796	6.5	3.30	0.18	0.22
SRR0604-681K_	680	± 10	16	0.796	6.0	4.80	0.15	0.19
SRR0604-102K_	1000	± 10	15	0.252	5.5	6.10	0.12	0.15

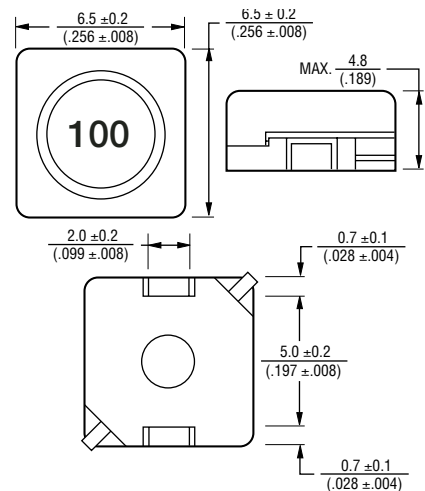
## General Specifications

Test Voltage .....1 Volt  
 Reflow Soldering .....230 °C; 50 sec max.  
 Operating Temperature...-40 °C to +125 °C  
 (Temperature rise included)  
 Storage Temperature ..-40 °C to +125 °C  
 Resistance to Soldering Heat  
 .....260 °C for 5 sec.

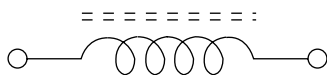
## Materials

Core Material .....Ferrite DR & RI  
 Wire .....Enamelled Copper  
 Base .....LCP E4008  
 Terminal Electrode .....See How to Order  
 Rated Current ...Ind. drop 10 % typ at I sat  
 Temperature Rise ...40 °C max at rated I rms  
 Packaging .....1000 pcs. per reel

## Product Dimensions



## Electrical Schematic

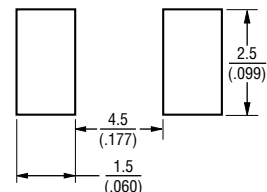


## How to Order

### SRR0604 - 100M

Model \_\_\_\_\_  
 Value/Tolerance: from table \_\_\_\_\_  
 Termination \_\_\_\_\_  
 L = Cu/Ni/Sn  
 Blank = Cu/Ni/SnPb

## Recommended Layout



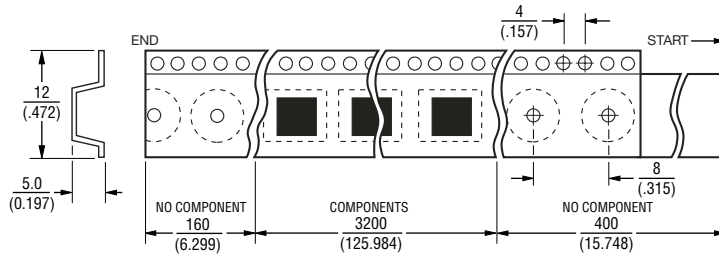
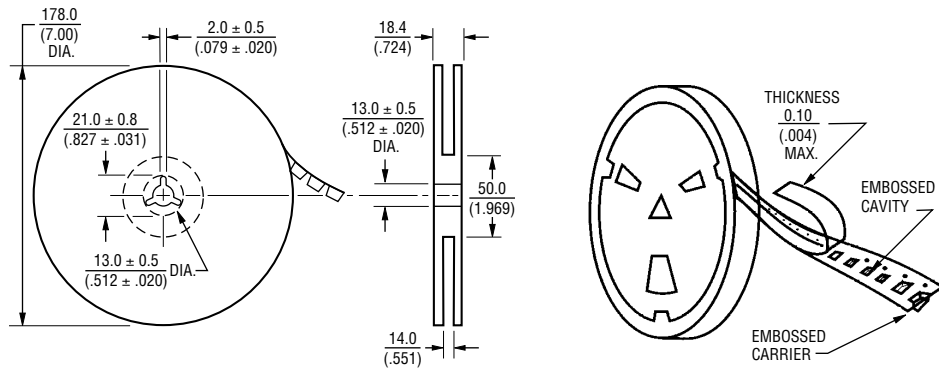
DIMENSIONS:  $\frac{\text{MM}}{\text{(INCHES)}}$

\*RoHS Directive 2002/95/EC Jan 27 2003 including Annex  
 Specifications are subject to change without notice.  
 Customers should verify actual device performance in their specific applications.

# SRR0604 Series - Shielded Power Inductors

**BOURNS®**

## Packaging Specifications



**USER DIRECTION OF FEED**

QTY: 1000 PCS. PER REEL

DIMENSIONS:  $\frac{\text{MM}}{\text{(INCHES)}}$