

SPECIFICATIONS

Mechanical

Contact Retention Force: 0.75Lbs (0.34kgf) min. per Contact
Durability: 25 Cycles
Dram Board Insertion Force: 3 oz max. per Contact

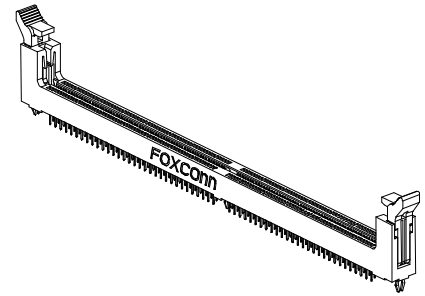
Electrical

Voltage Raging: 250V AC
Current Rating: 1.0A max., 30 max., in Temperature Rise
Insulation Resistance: 1000MW min. initial
Dielectric Withstanding Voltage: 500V AC at Sea Level
Low Level Contact Resistance: 30mW max. initial

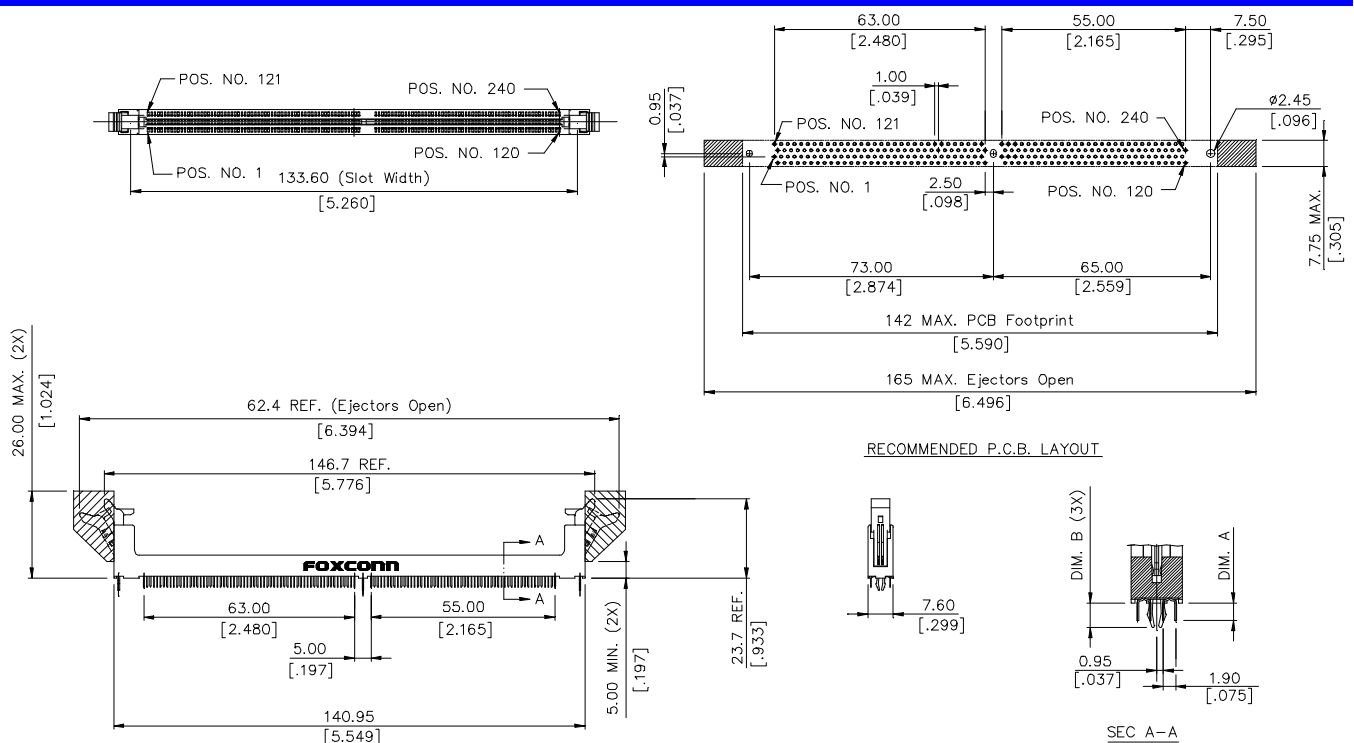
Physical

Housing: Thermoplastic, UL 94V-0 rated in Blue Color
Contact: Copper alloy
Ejector: Thermoplastic, UL 94V-0 rated in Ivory or Natural Color
Metal Hold Down: Copper alloy
Operating Temperature: -55 to +105

AT240 Series
Vertical Type, T/H Type
1.00mm [.039"] Pitch
240 Pos.



DRAWING



ORDERING INFORMATION

PRODUCT NO.: AT240** - H3L - **

Memory Socket
Vertical

DDR II DIMM
1.00mm Pitch

No. of Pos.
40=240 Pos.

Tail Length
0=3.15 [.124]
1=2.67 [.105]

PLATING TYPE
4F=LEAD FREE

Extension Code

Contact Area Plating
1=Gold Flash
2=20u" Gold
3=30u" Gold
6=10u" Gold
7=15u" Gold

AT2400*-H3L-4F	240	1.8V	3.15 [.124]	3.78 [.149]
AT2401*-H3L-4F		1.8V	2.67 [.105]	4.57 [.180]
P/N	POS.	VOLTAGE MARKING	DIM. A	DIM. B