

Series 802 "Aqua Mouse"  
Cable Plugs  
802-001 & 802-003



Series 802  
Submersible

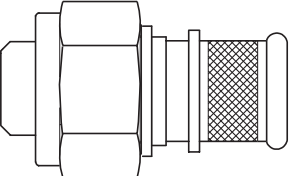



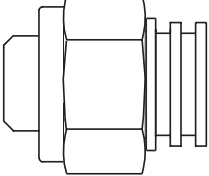
## How to Order Series 802 Cable Plugs

Series 802 "Aqua Mouse" Cable Plugs are available in two styles:

*Integral Band Platform* for attachment of cable shields.

*Integral Molding Platform* for unshielded cable.

### How To Order Series 802 Cable Plugs

Series	Shell Style	Shell Material / Finish	Shell Size / Insert Arrangement	Contact Type	Shell Key
<b>802-001</b> Banding Platform 	<b>06</b> Plug	<b>Z1</b> Stainless Steel, with Passivated Finish	<b>6-4</b> 4 Contacts  <b>6-7</b> 7 Contacts  <b>9-19</b> 19 Contacts 	<b>P</b> Pin  <b>S</b> Socket	<b>N</b> Normal  Alternate Key Positions <b>X</b> <b>Y</b> <b>Z</b>
<b>802-003</b> Molding Platform 					

### Part Number Example

802-001

—06

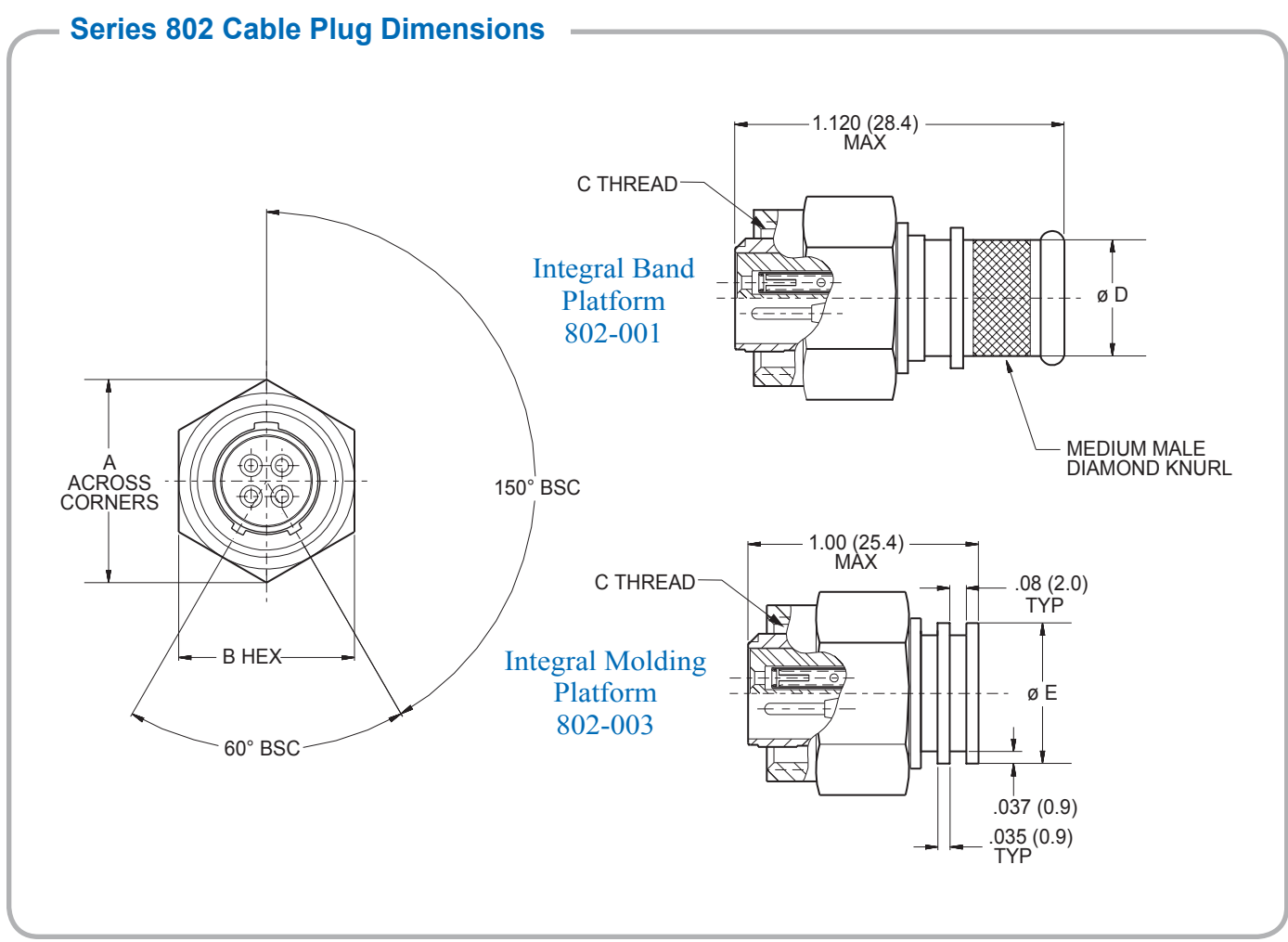
Z1

9—19

P

N

## Series 802 Cable Plug Dimensions



**Series 802 Cable Plug Dimensions**

Layout	A	B Hex	C Thread	Ø D	Ø E
6-4	.69 (17.5)	.625 (15.9)	.5625-20 UN-2B	.30 (7.6)	.375 (9.5)
6-7	.69 (17.5)	.625 (15.9)	.5625-20 UN-2B	.30 (7.6)	.375 (9.5)
9-19	.94 (23.9)	.813 (20.7)	.750-20 UNEF-2B	.52 (13.2)	.595 (15.1)