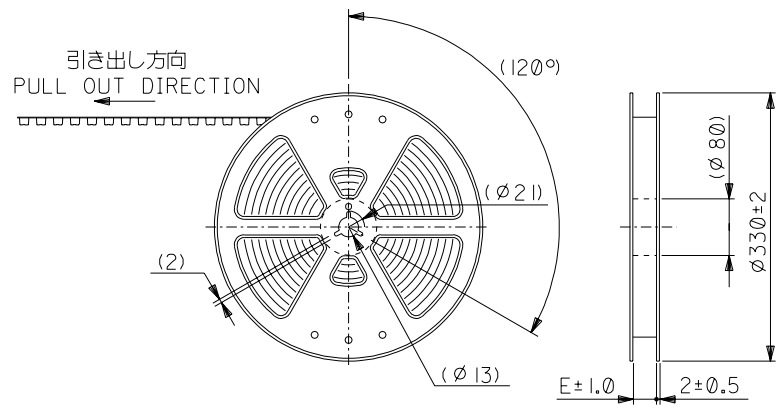
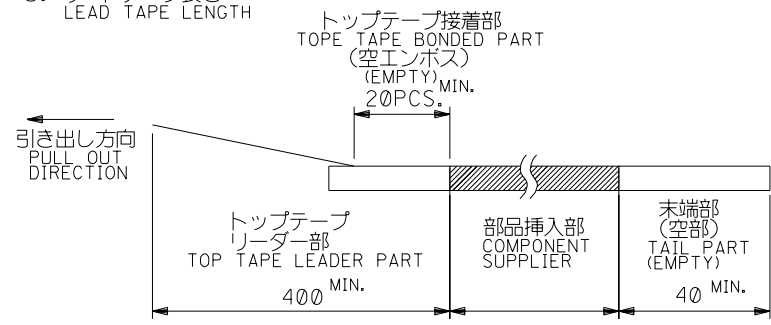


DWG. NO. SD-500024-002



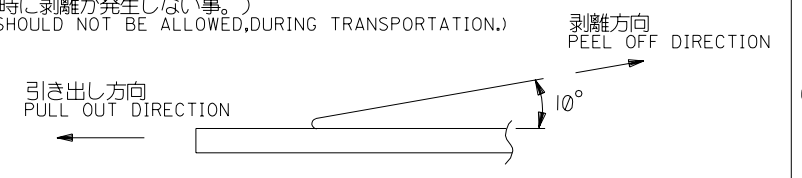
注)
NOTES

- 製品番号500024-***9 詳細寸法については、製品単体図面を参照下さい。
IN THE PACKAGE PART NUMBER 500024-***9 DETAILED DIMENSIONS, SEE SALES DRAWING FOR CONNECTOR.
- 梱包数量：2000個/リール
NUMBER OF CONNECTORS : 2000 PCS/REEL.
- リードテープ長さ
LEAD TAPE LENGTH



- トップテープの剥離強度：(剥離方向は下図参照)
PEELING OFF FORCE OF TOP TAPE (PELLING DIRECTION AS SHOWN IN FOLLOWING FIGURE.)
0. 1~1. 3N (10~130gf)

尚、本規格値は、出荷時に適用。
THIS REQUIREMENT SHOULD BE APPLIED AT SHIPMENT.
(但し、輸送時に剥離が発生しない事。)
(PEEL OFF SHOULD NOT BE ALLOWED, DURING TRANSPORTATION.)

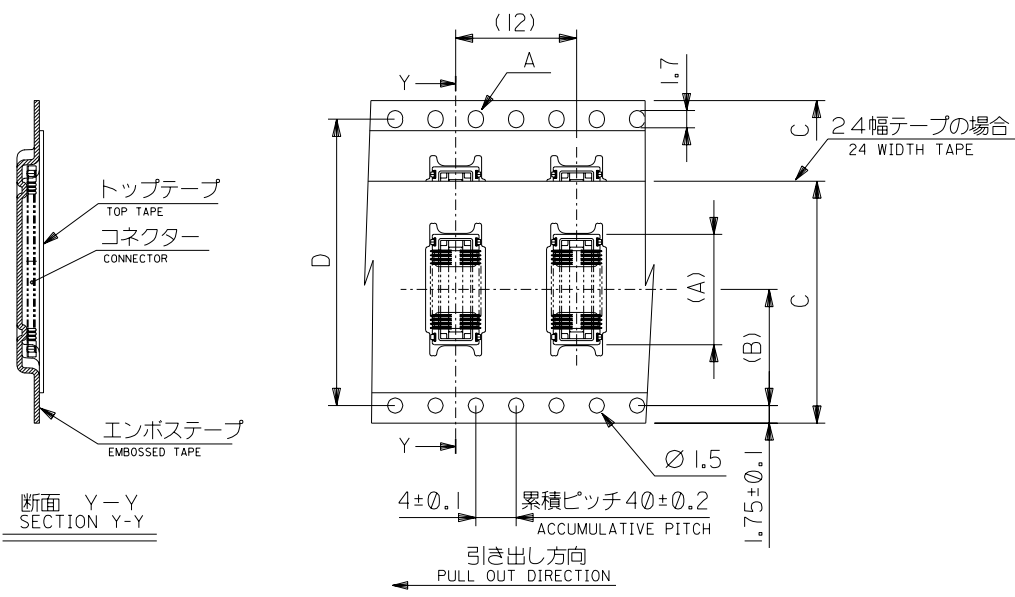


- 材料
MATERIAL
キャリアテープ：ポリプロピレン (PP)
CARRIER TAPE: POLYPROPYLENE (PP)
トップテープ：PET, PE, PEF
TOP TAPE: PET, PE, PEF
リール：ポリスチレン
REEL : POLYSTYRENE

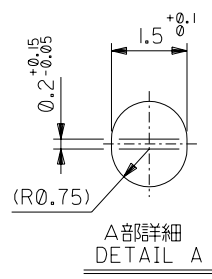
DO NOT SCALE DRAWING

| | | | | | | | | | | | | | | | | | | | | | | | | | |
|----------------------------------|--|----------------------------------|--|----------------------------------|--|----------------------------------|--|--|--|-------------------------------------|--|---|--|---|--|--|--|---|--|--|--|--|--|-----------|--|
| EC NO. DRWN: CHK: APPR: | | EC NO. DRWN: CHK: APPR: | | EC NO. DRWN: CHK: APPR: | | EC NO. DRWN: CHK: APPR: | | REVISED EC NO. 42004-2070 DRWN: THIRATA 04/02/0 CHK: MSASAO 04/02/0 APPR: MSASAO 04/02/0 | | MATERIAL 材料 注記参照 SEE NOTES | | GENERAL TOLERANCES: (UNLESS SPECIFIED) 一般公差 | | SCALE NONE | | DESIGN UNITS <input checked="" type="checkbox"/> mm <input type="checkbox"/> INCH | | THIRD ANGLE PROJECTION | | DIMENSIONS: <input type="checkbox"/> mm <input type="checkbox"/> INCH <input checked="" type="checkbox"/> mm ONLY | | SHT REV | | | |
| | | | | | | | | | | FINISH 仕上げ 注記参照 SEE NOTES | | 10 UNDER 未満 | | ±0.2 | | DRAWN BY & DATE T. Kirata 02/10/22 | | TITLE: 500024-***9 TAPING PACKAGE | | MOLEX MOLEX INCORPORATED | | SHEET NO. 1 OF 2 | | | |
| | | | | | | | | | | 10 OVER 30 UNDER 未満 | | ±0.25 | | CHECKED BY & DATE H. Saito 02/10/22 | | | | | | | | | | | |
| | | | | | | | | | | 30 OVER 以上 | | ±0.3 | | APPROVED BY & DATE H. Saito 02/10/22 | | | | | | | | | | | |
| | | | | | | | | WIRE RANGE 適用電線範囲 | | # | | ANGLE 角度 | | ±3° | | CAD FILENAME SD-500024-002.S01 | | MATERIAL NO. SEE CHART | | DRAWING NO. SD-500024-002 | | THIS DRAWING CONTAINS INFORMATION THAT IS PROPRIETARY TO MOLEX INCORPORATED AND SHOULD NOT BE USED WITHOUT WRITTEN PERMISSION. | | SIZE B | |

SD-500024-002S01



断面 Y-Y
SECTION Y-Y

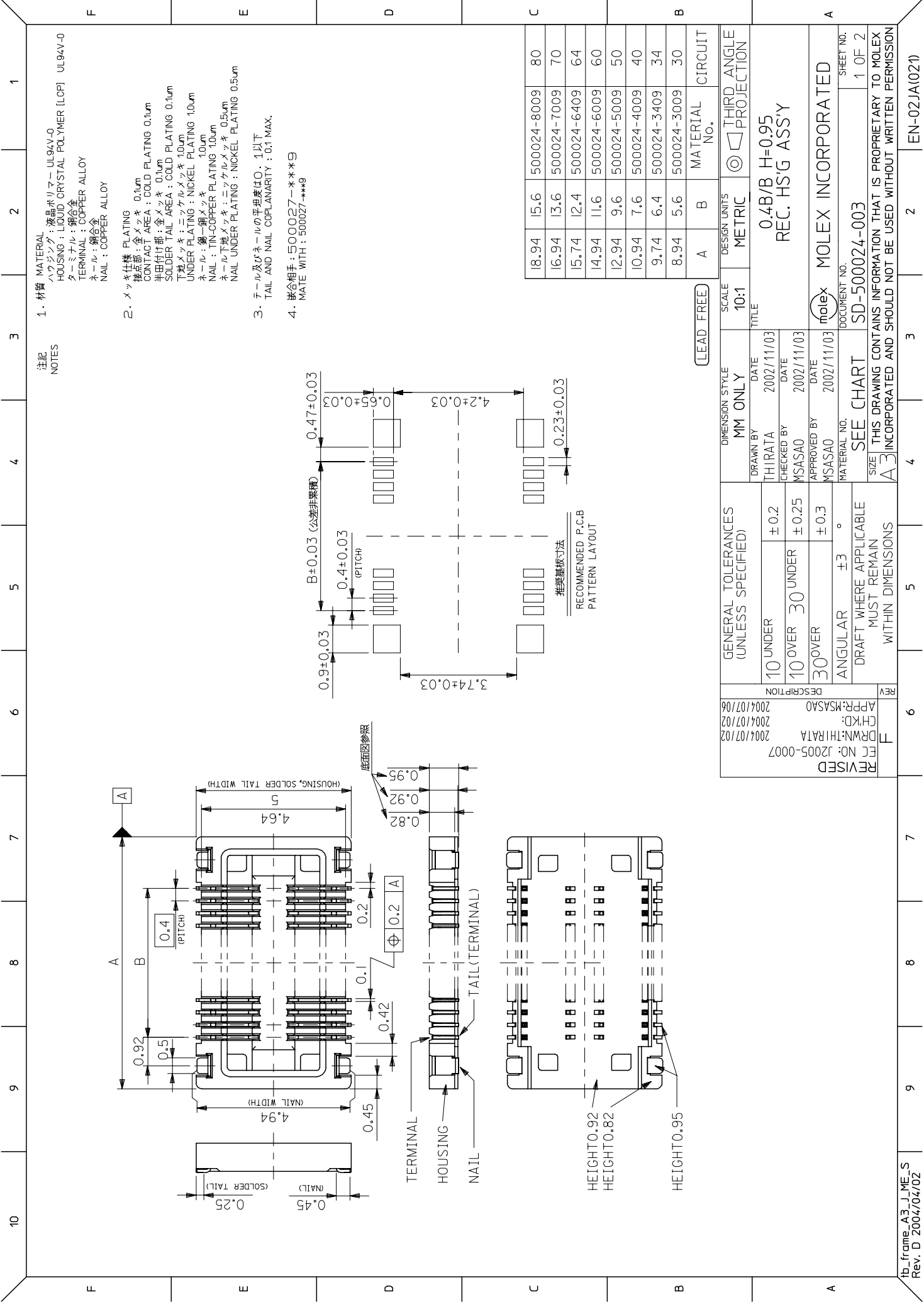


A部詳細
DETAIL A

| | | | | | | | |
|-------|------|--------|------|------|-------------|--------------|---------|
| 18.94 | 14.2 | 32±0.3 | 28.4 | 33.5 | 500024-8009 | 500024-8001 | 80 |
| 16.94 | 14.2 | 32±0.3 | 28.4 | 33.5 | 500024-7009 | 500024-7001 | 70 |
| 15.74 | 14.2 | 32±0.3 | 28.4 | 33.5 | 500024-6409 | 500024-6401 | 64 |
| 14.94 | 14.2 | 32±0.3 | 28.4 | 33.5 | 500024-6009 | 500024-6001 | 60 |
| 12.94 | 11.5 | 24±0.3 | — | 25.5 | 500024-5009 | 500024-5001 | 50 |
| 10.94 | 11.5 | 24±0.3 | — | 25.5 | 500024-4009 | 500024-4001 | 40 |
| 9.74 | 11.5 | 24±0.3 | — | 25.5 | 500024-3409 | 500024-3401 | 34 |
| 8.94 | 11.5 | 24±0.3 | — | 25.5 | 500024-3009 | 500024-3001 | 30 |
| (A) | (B) | C | D | E | CONNECTOR | MATERIAL No. | CIRCUIT |

LEAD FREE

| | | | | | | | | | | | | |
|----------------------------------|----------------------------------|----------------------------------|----------------------------------|----------------------------------|----------------------------------|------------------------------------|-------------------------------------|--|---|--|--|------------|
| EC NO. DRWN: CHK: APPR: | EC NO. DRWN: CHK: APPR: | EC NO. DRWN: CHK: APPR: | EC NO. DRWN: CHK: APPR: | EC NO. DRWN: CHK: APPR: | EC NO. DRWN: CHK: APPR: | DESCRIPTION SEE SHEET 1 OF 2 | MATERIAL 材料 注記参照 SEE NOTES | GENERAL TOLERANCES: (UNLESS SPECIFIED) 一般公差 | SCALE | DESIGN UNITS <input checked="" type="checkbox"/> mm <input type="checkbox"/> INCH | THIRD ANGLE PROJECTION <input type="checkbox"/> mm <input type="checkbox"/> INCH <input checked="" type="checkbox"/> mm ONLY | SHT REV |
| | | | | | F | FINISH 仕上げ 注記参照 SEE NOTES | 10 UNDER 未満 ±0.2 | DRAWN BY & DATE <i>T. Kirata</i> 02/10/22 | TITLE: 500024-***9 TAPING PACKAGE | | | |
| | | | | | | WIRE RANGE 適用電線範囲 | 10 OVER 以上 ±0.25 | CHECKED BY & DATE <i>M. Saito</i> 02/10/22 | MATERIAL NO. SEE CHART | | | |
| | | | | | | INS. RANGE 被覆外径 | 30 OVER 以上 ±0.3 | APPROVED BY & DATE <i>M. Saito</i> 02/10/22 | MATERIAL NO. SEE CHART | | | |
| | | | | | | | ANGLE 角度 ±3° | CAD FILENAME SD-500024-002.S02 | MATERIAL NO. SEE CHART | | | |
| | | | | | | | | THIS DRAWING CONTAINS INFORMATION THAT IS PROPRIETARY TO MOLEX INCORPORATED AND SHOULD NOT BE USED WITHOUT WRITTEN PERMISSION. | | | SIZE B | |



1. 材質 MATERIAL
 ハウジング : 液晶ポリマー-UL94V-0
 HOUSING : LIQUID CRYSTAL POLYMER [LCP] UL94V-0
 ターミナル : 銅合金
 TERMINAL : COPPER ALLOY
 ネール : 銅合金
 NAIL : COPPER ALLOY

2. メッキ仕様 PLATING
 接点部 : 金メッキ 0.1μm
 CONTACT AREA : GOLD PLATING 0.1μm
 半田付け部 : 金メッキ 0.1μm
 SOLDER TAIL AREA : GOLD PLATING 0.1μm
 下地メッキ : ニッケルメッキ 10.0μm
 UNDER PLATING : NICKEL PLATING 10.0μm
 ネール : 第一銅メッキ
 NAIL : TIN-COPPER PLATING 10.0μm
 ネール下地メッキ : ニッケルメッキ 0.5μm
 NAIL UNDER PLATING : NICKEL PLATING 0.5μm

3. テール及びネールの平坦度は0.1以下
 TAIL AND NAIL COPLANARITY : 0.1 MAX.

4. 嵌合相手 : 500027-***9
 MATE WITH : 500027-***9

| DESIGN UNITS | METRIC | THIRD ANGLE PROJECTION |
|--------------|--------|------------------------|
| 18.94 | 15.6 | 500024-8009 |
| 16.94 | 13.6 | 500024-7009 |
| 15.74 | 12.4 | 500024-6409 |
| 14.94 | 11.6 | 500024-6009 |
| 12.94 | 9.6 | 500024-5009 |
| 10.94 | 7.6 | 500024-4009 |
| 9.74 | 6.4 | 500024-3409 |
| 8.94 | 5.6 | 500024-3009 |
| A | B | MATERIAL No. |

(LEAD FREE)

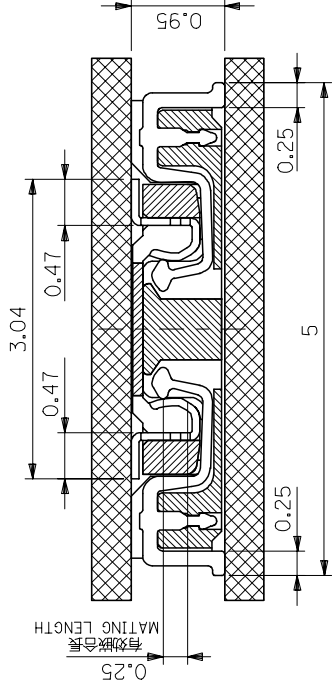
| SCALE | 10:1 |
|--|----------------|
| GENERAL TOLERANCES (UNLESS SPECIFIED) | |
| 10 UNDER | ±0.2 |
| 10 OVER | 30 UNDER ±0.25 |
| 30 OVER | ±0.3 |
| ANGULAR | ±3° |
| DRAFT WHERE APPLICABLE MUST REMAIN WITHIN DIMENSIONS | |

| DIMENSION STYLE | MM ONLY |
|---|------------|
| DRAWN BY <td>THIRATA</td> | THIRATA |
| DATE <td>2002/11/03</td> | 2002/11/03 |
| CHECKED BY <td>MSASAO</td> | MSASAO |
| DATE <td>2002/11/03</td> | 2002/11/03 |
| APPROVED BY <td>MSASAO</td> | MSASAO |
| DATE <td>2002/11/03</td> | 2002/11/03 |
| MATERIAL NO. <td></td> | |
| SEE CHART | |
| THIS DRAWING CONTAINS INFORMATION THAT IS PROPRIETARY TO MOLEX INCORPORATED AND SHOULD NOT BE USED WITHOUT WRITTEN PERMISSION | |

| DESCRIPTION | REV |
|-------------------|-----|
| REVISED | F |
| EC NO: J2005-0007 | |
| DRWN: THIRATA | |
| CHKD: 2004/07/02 | |
| APP: MSASAO | |
| 2004/07/06 | |

モレックス社
 MOLEX INCORPORATED
 DOCUMENT NO. SD-500024-003
 SHEET NO. 1 OF 2
 0.4B/B H=0.95
 REC. HS'G ASS'Y

| | | | | | | | | | | | | | |
|---|---|---|---|---|---|---|---|---|---|---|---|---|----|
| F | E | D | C | B | | | | | | 1 | | | |
| | | | | | 2 | 3 | 4 | 5 | 6 | 7 | 8 | 9 | 10 |



嵌合断面图 (参考)
MATED DRAWING

| | | | | | | | |
|--|----------|--|-------------------|---|------------------------|---------------------------|--|
| GENERAL TOLERANCES (UNLESS SPECIFIED) | | DIMENSION STYLE MM ONLY | | SCALE 20:1 | DESIGN UNITS METRIC | THIRD ANGLE PROJECTION | |
| 10 UNDER | ± 0.2 | DRAWN BY THIRATA | DATE 2002/11/3 | TITLE 0.4B/B H=0.95 REC. HS'G ASS'Y | | | |
| 10 OVER | 30 UNDER | CHECKED BY MSASAO | DATE 2002/11/3 | DOCUMENT NO. SD-500024-003 | | | |
| 30 OVER | | APPROVED BY MSASAO | DATE 2002/11/3 | SHEET NO. 2 OF 2 | | | |
| ANGULAR | ± 3 ° | MATERIAL NO. SEE 1 OF 2 | | MOLEX INCORPORATED | | | |
| DRAFT WHERE APPLICABLE MUST REMAIN WITHIN DIMENSIONS | | SIZE THIS DRAWING CONTAINS INFORMATION THAT IS PROPRIETARY TO MOLEX A3 INCORPORATED AND SHOULD NOT BE USED WITHOUT WRITTEN PERMISSION | | | | | |

| | | | | | | | |
|-------------|-------------------|---------------|------------|-------|------------|-------------|------------|
| REVISED | EC NO: J2005-0007 | DRWN: THIRATA | 2004/07/02 | CHKD: | 2004/07/02 | APP: MSASAO | 2004/07/06 |
| DESCRIPTION | | | | | | | |