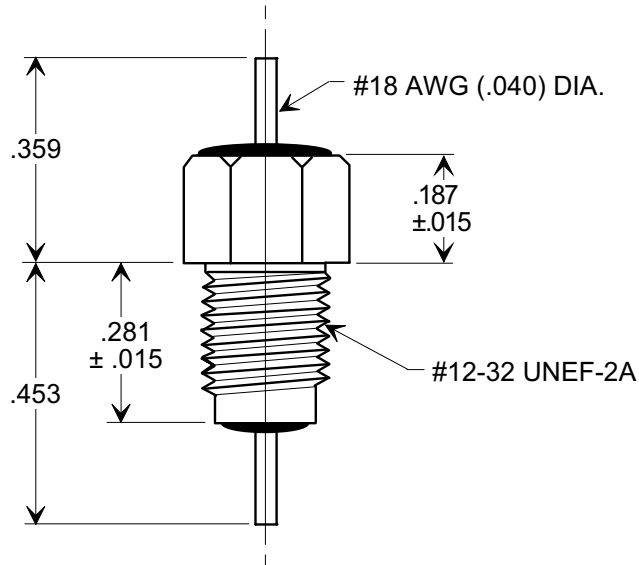
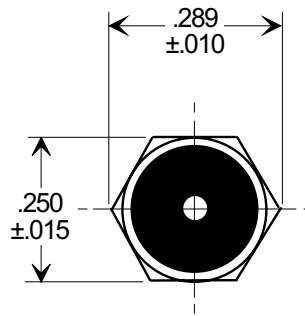


MARKETING SALES DRAWING
DIMENSIONS IN INCHES - DO NOT SCALE THIS DRAWING

Electrical Testing
 per Tusonix standard
 test plans and Mil-Std-202
 Test Methods.



5500/ 9000	200	100	15A	20	65	70	70
	85°C	125 °C		10 MHz	100 MHz	1 GHz	10 GHz
MIN. CAP. (pF)	WORKING VOLTAGE (VDC)		CURRENT (Idc)	MINIMUM NO LOAD INSERTION LOSS (dB) AT 25°C PER MIL-STD -220			

X-2015 Rev-0
 REVISION RECORD
 Original Release
 C.O. 970728-12
 0

--TOLERANCES-- Unless Otherwise Specified		Title BUSHING STYLE EMI FILTER	
DECIMAL ± .031		Drawn S.M. 08-04-97 Scale 3 X	
ANGLES ±		Approved T.C. 08-04-97	
TUSONIX TUCSON, ARIZONA		A	4202-057