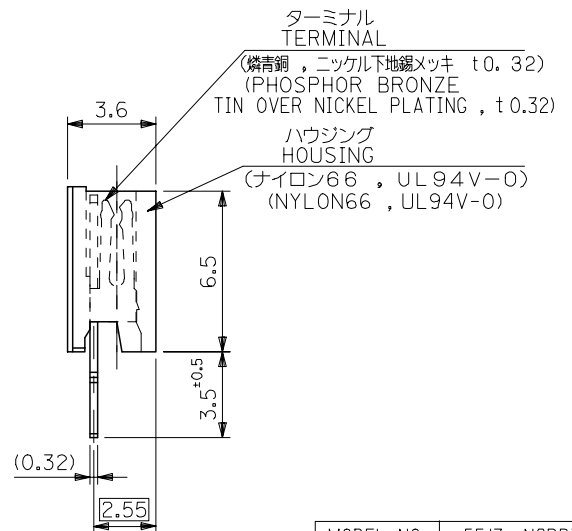
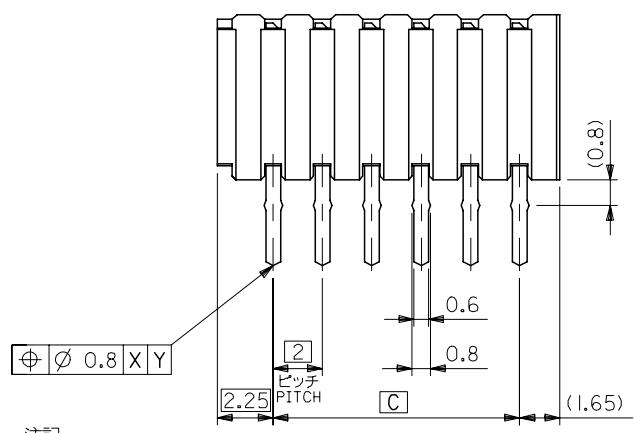


基板取付推奨レイアウト
P.C.BOARD POSITIONING WHEN MATED



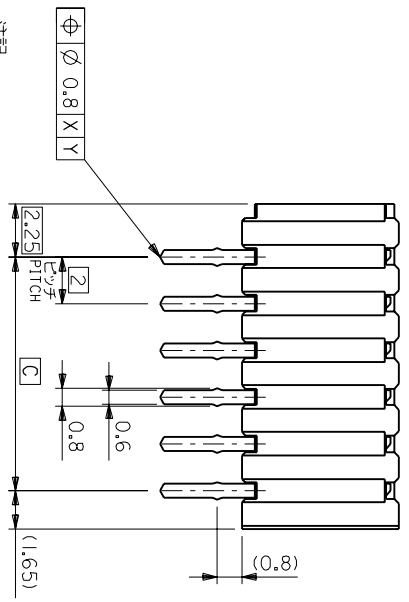
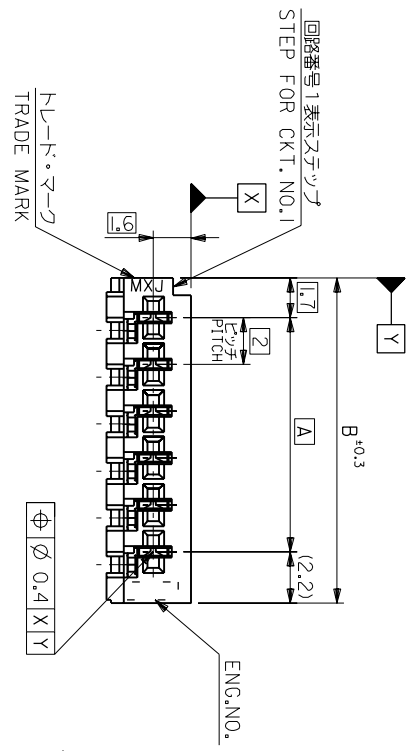
38	41.9	38	39-53-3200	5513-20CPB7F	20
36	39.9	36	- 3190	-19CPB7F	19
34	37.9	34	- 3180	-18CPB7F	18
32	35.9	32	- 3170	-17CPB7F	17
30	33.9	30	- 3160	-16CPB7F	16
28	31.9	28	- 3150	-15CPB7F	15
26	29.9	26	- 3140	-14CPB7F	14
24	27.9	24	- 3130	-13CPB7F	13
22	25.9	22	- 3120	-12CPB7F	12
20	23.9	20	- 3110	-11CPB7F	11
18	21.9	18	- 3100	-10CPB7F	10
16	19.9	16	- 3090	-09CPB7F	9
14	17.9	14	- 3080	-08CPB7F	8
12	15.9	12	- 3070	-07CPB7F	7
10	13.9	10	- 3060	-06CPB7F	6
8	11.9	8	- 3050	-05CPB7F	5
6	9.9	6	- 3040	-04CPB7F	4
4	7.9	4	- 3030	-03CPB7F	3
2	5.9	2	39-53-3020	5513-02CPB7F	2



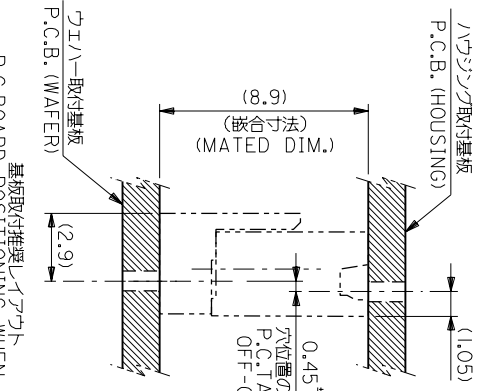
- 注記 NOTE
1. 嵌合相手 : 5512 シリーズ
MATES WITH 5512 SERIES
 2. 本製品は5513-NCPBの鉛フリー品である。
THIS PRODUCT IS LEAD FREE OF 5513-NCPB.

REVISED EC NO: J2005-2472 DRAWN: MABEI CHKD: KTOJO APP: NUKITA	2005/02/24	2005/02/25	2005/03/02	DESCRIPTION	GENERAL TOLERANCES (UNLESS SPECIFIED)		DIMENSION STYLE		SCALE	DESIGN UNITS	THIRD ANGLE PROJECTION	
	10 UNDER		±0.2		MM ONLY		---	METRIC	2.0 BOARD TO BOARD CONN HSG ASSY -LEAD FREE-			
	10 OVER 30 UNDER		±0.25		DRAWN BY DATE		TITLE		MOLEX INCORPORATED			
	30 OVER		±0.3		H. KAWABATA '04/03/18		MATERIAL NO.		SD-5513-001			
ANGULAR		±3 °	CHECKED BY DATE		DRAFT WHERE APPLICABLE MUST REMAIN WITHIN DIMENSIONS		M. SASAO '04/03/18		DOCUMENT NO.	SHEET NO.		
SIZE		A3	APPROVED BY DATE		THIS DRAWING CONTAINS INFORMATION THAT IS PROPRIETARY TO MOLEX INCORPORATED AND SHOULD NOT BE USED WITHOUT WRITTEN PERMISSION		SEE CHART		SD-5513-001		1 OF 1	

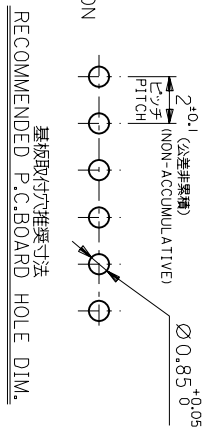
MM DIMENSIONS IN METRIC DO NOT SCALE DRAWING



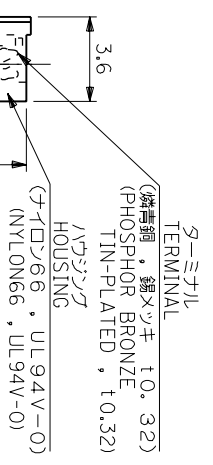
注記
NOTE
1. 嵌合相手 : 5512-NA
MATES WITH 5512-NA



基板取付推奨シマクト
P.C. BOARD POSITIONING WHEN MATED



基板取付穴推奨寸法
RECOMMENDED P.C. BOARD HOLE DIM.



38	41.9	38	39-51-3201	5513-20CPB	20
36	39.9	36	- 3191	- 19CPB	19
34	37.9	34	- 3181	- 18CPB	18
32	35.9	32	- 3171	- 17CPB	17
30	33.9	30	- 3161	- 16CPB	16
28	31.9	28	- 3151	- 15CPB	15
26	29.9	26	- 3141	- 14CPB	14
24	27.9	24	- 3131	- 13CPB	13
22	25.9	22	- 3121	- 12CPB	12
20	23.9	20	- 3111	- 11CPB	11
18	21.9	18	- 3101	- 10CPB	10
16	19.9	16	- 3091	- 09CPB	9
14	17.9	14	- 3081	- 08CPB	8
12	15.9	12	- 3071	- 07CPB	7
10	13.9	10	- 3061	- 06CPB	6
8	11.9	8	- 3051	- 05CPB	5
6	9.9	6	- 3041	- 04CPB	4
4	7.9	4	- 3031	- 03CPB	3
2	5.9	2	39-51-3021	5513-02CPB	2
C	B	A	EDP NO.	ENG. NO.	總数 CKT.

角度	ANGLE	°30
30度未満		+0.3
10度以上		+0.25
10度未満		+0.2
公差		
一般公差		
GENERAL TOLERANCES		

図中参照	材料	材料
DESCRIBED IN	DESCRIBED IN	DESCRIBED IN
THE DRAWING	THE DRAWING	THE DRAWING
仕上げ	FINISH	—
適用電線範囲	WIRE RANGE	—
被覆外径	INS. RANGE	—
製作図	DR.	55/00/6
再作図	DR.	55/00/6
検査内査	CHK.	55/00/6
検査外査	CHK.	55/00/6
尺取	SCALE	5 : 1
APP'D BY	CHK'D BY	
INS. RANGE	INS. RANGE	
M.FUKUSHIMA	H.HIRAMOTO	

REV	REV
E	E
20251315	20251315

8 7 6 5 4 3 2 1

THIS DRAWING CONTAINS INFORMATION THAT IS PROPRIETARY TO MOLEX/JAPAN AND SHOULD NOT BE USED WITHOUT WRITTEN PERMISSION
本図面は日本モレックス(株)の所有する情報を含むものを、当社の許可なく複製を禁止する。
EN-01C032MXJ-32