

DO NOT SCALE DRAWING DIMENSION IN METRIC

PROJECT NO.

SIMILAR ITEM

EDP NO.

ENG. NO

SD 35211-***1*

8

7

6

5

4

3

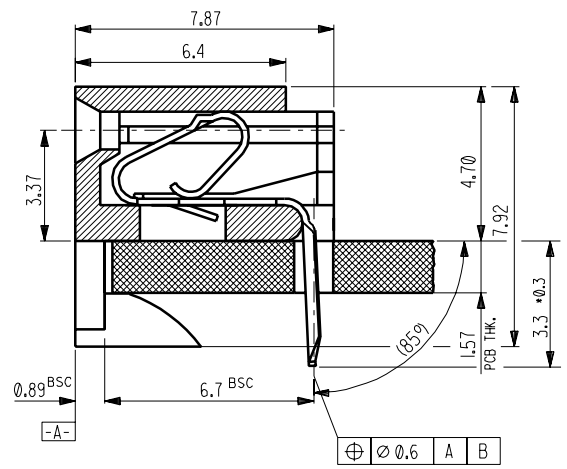
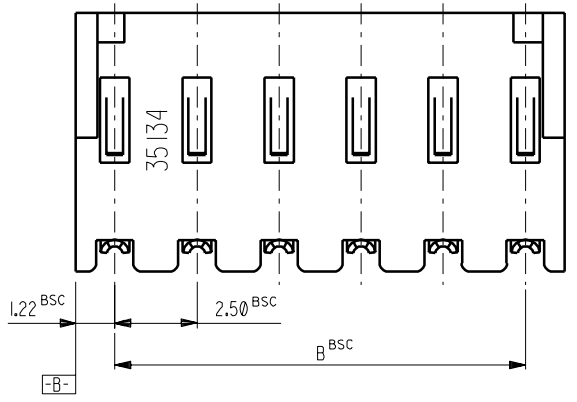
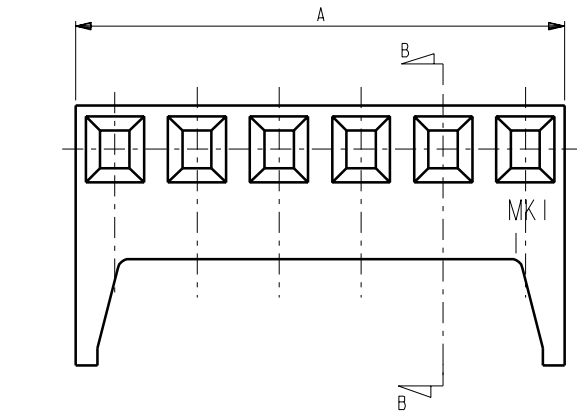
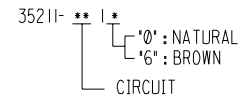
2

1

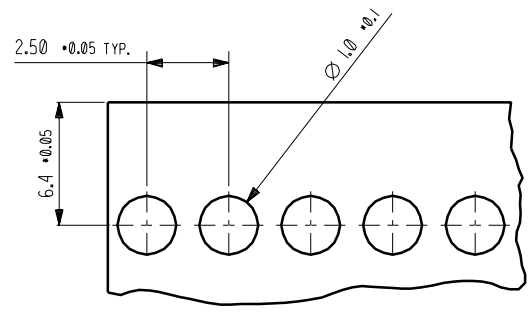
NOTE

1. MATERIAL
 HOUSING --- NYLON 66 UL94V-0
 TERMINAL --- PHOSPHOR BRONZE

LEGEND



SECTION B-B



PCB LAY OUT

ENG.NO.	△	CKT.SIZE	DIM.A	DIM.B
35211 - 021*		2	4.94	2.50
- 031*		3	7.44	5.00
- 041*		4	9.94	7.50
- 051*		5	12.44	10.00
- 061*		6	14.94	12.50
- 071*		7	17.44	15.00
- 081*		8	19.94	17.50
- 091*		9	22.44	20.00
- 101*		10	24.94	22.50
- 111*		11	27.44	25.00
- 121*		12	29.94	27.50
- 131*		13	32.44	30.00
- 141*		14	34.94	32.50
- 151*		15	37.44	35.00
- 161*		16	39.94	37.50
- 171*		17	42.44	40.00
- 181*		18	44.94	42.50
- 191*		19	47.44	45.00
35211 - 201*		20	49.94	47.50

LTR		REVISION RECORD	ECN	DR/CHK	DATE	DIE FEED	APPL FEED	WBDW	IBDW	APP'D BY	SCALE	WIRE RANGE AWG:	GENERAL TOLERANCES DIM. : 0.20 ANGLE : 2°	MOLEX MOLEX-KOREA CO.,LTD.	
D	REVISED	95-123	95-11/17									MM²: ±	REVISE ONLY ON CAD SYSTEM		
C	REVISED	92-025	92-7/06									MM²: ±	TITLE: KK.2.5 BOARD TO BOARD SIDE ENTRY ASS'Y		
B	RELEASED	92-088	92-2/24									INSULATION RANGE	ENG.NO. SD 35211-***1* REV D		
A	NEW RELEASED	91-0014	91-9.16										SD 35211-***1*		
J	TEMPORARY RELEASED												CAD 6-1		