

# my-d™ NFC SLE 66RxxP

Intelligent EEPROM with Contactless  
Interface compliant to  
ISO/IEC 14443 Type A and support of  
NFC Forum™ Type 2 Tag Operation

## Short Product Information

Chipcard & Security ICs



Never stop thinking

**Important:** For further information please contact:  
Infineon Technologies AG in Munich, Germany,  
Chip Card & Security ICs,  
Fax +49 (0)89 / 234-955 9372  
E-Mail: security.chipcard.ics@infineon.com

**Edition 2008-05-08**

**Published by  
Infineon Technologies AG  
81726 Munich, Germany**

**© 2008 Infineon Technologies AG  
All Rights Reserved.**

#### **Legal Disclaimer**

The information given in this document shall in no event be regarded as a guarantee of conditions or characteristics. With respect to any examples or hints given herein, any typical values stated herein and/or any information regarding the application of the device, Infineon Technologies hereby disclaims any and all warranties and liabilities of any kind, including without limitation, warranties of non-infringement of intellectual property rights of any third party.

#### **Information**

For further information on technology, delivery terms and conditions and prices, please contact the nearest Infineon Technologies Office ([www.infineon.com](http://www.infineon.com)).

#### **Warnings**

Due to technical requirements, components may contain dangerous substances. For information on the types in question, please contact the nearest Infineon Technologies Office.

Infineon Technologies components may be used in life-support devices or systems only with the express written approval of Infineon Technologies, if a failure of such components can reasonably be expected to cause the failure of that life-support device or system or to affect the safety or effectiveness of that device or system. Life support devices or systems are intended to be implanted in the human body or to support and/or maintain and sustain and/or protect human life. If they fail, it is reasonable to assume that the health of the user or other persons may be endangered.

---

**my-d™ NFC**  
**Intelligent EEPROM with Contactless Interface compliant to ISO/IEC 14443 Type A and support of NFC Forum™ Type 2 Tag Operation**

**Revision History: 2008-05-08**

**Previous Version:**

<b>Page</b>	<b>Subjects (major changes since last revision)</b>
	initial version

**Trademarks of Infineon Technologies AG**

my-d™.

**Other Trademarks**

NFC Forum™ of Near Field Communication Forum.

## Features

### **Intelligent EEPROM with Contactless Interface compliant to ISO/IEC 14443 Type A and support of NFC Forum™ Type 2 Tag Operation**

#### **Contactless Interface**

- Physical interface and Anticollision compliant to ISO/IEC 14443-3 Type A
- Contactless transmission of data and supply energy
- Carrier frequency: 13.56 MHz
- Data rate up to 848 kbit/s from PICC to PCD, 106 kbit/s from PCD to PICC
- Read / write distance up to 10 cm depending on reader antenna configuration

#### **EEPROM**

- Up to 5120 bytes in total (R32 version)
  - organized in up to 512 pages (page size 10 byte)
  - up to 509 pages of user memory (user page size 8 byte)
- Unique chip identification number (UID)
- EEPROM programming time per page < 4 ms
- EEPROM endurance > 100.000 erase/write cycles<sup>1)</sup>
- Data retention > 10 years<sup>1)</sup>
- EEPROM Error Correction Unit

#### **NFC Tag Operation**

- Support of NFC Forum™ - Type 2 Tag Operation
- Up to 2048 bytes available as dynamic memory structure
- Configurable memory size for NFC Forum™ - Type 2 Tag Operation

#### **Value Counters: up to 65536 (value range from 0 to 2<sup>16</sup>-1)**

- Each page in the User Area is configurable as a Value Counter
- Support of Anti-Tearing

#### **Electrical characteristics**

- ESD protection minimum 2 kV
- Ambient temperature -25°C ... +70°C (for the chip)

<sup>1)</sup> Values are temperature dependent

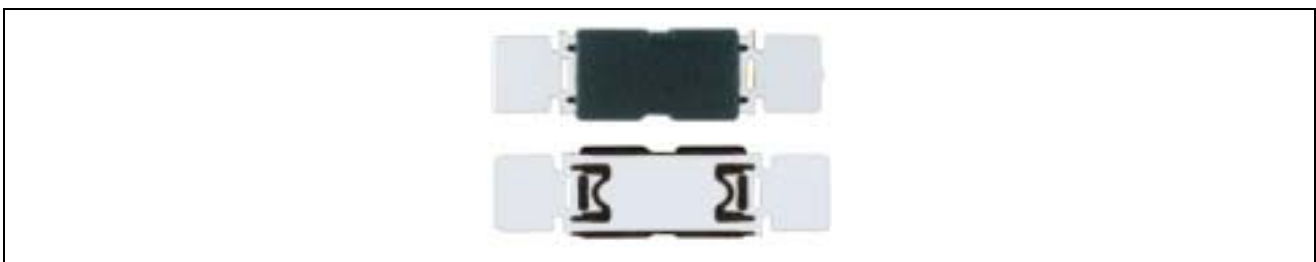
# 1 Ordering and packaging information

**Table 1-1 Ordering information**

Type	Package	Total Memory	Security	Pages	Ordering code		
SLE 66R04P C	Die (wafer)	616 bytes  (no NFC Memory)	No	77	on request		
SLE 66R04P NB	NiAu Bumped				on request		
SLE 66R04P MCC2	P-MCC2-2-1				on request		
SLE 66R04P MCC8	P-MCC8-2-3				on request		
SLE 66R16P C	Die (wafer)	2048 bytes  (up to 1024 bytes NFC Memory)		No	256	on request	
SLE 66R16P NB	NiAu Bumped					on request	
SLE 66R16P MCC2	P-MCC2-2-1					on request	
SLE 66R16P MCC8	P-MCC8-2-3					on request	
SLE 66R32P C	Die (wafer)	4096 bytes  (up to 2048 bytes NFC Memory)			No	512	on request
SLE 66R32P NB	NiAu Bumped						on request
SLE 66R32P MCC2	P-MCC2-2-1						on request
SLE 66R32P MCC8	P-MCC8-2-3						on request

For more ordering information (wafer thickness and height of NiAu-Bump) please contact your local Infineon sales office.

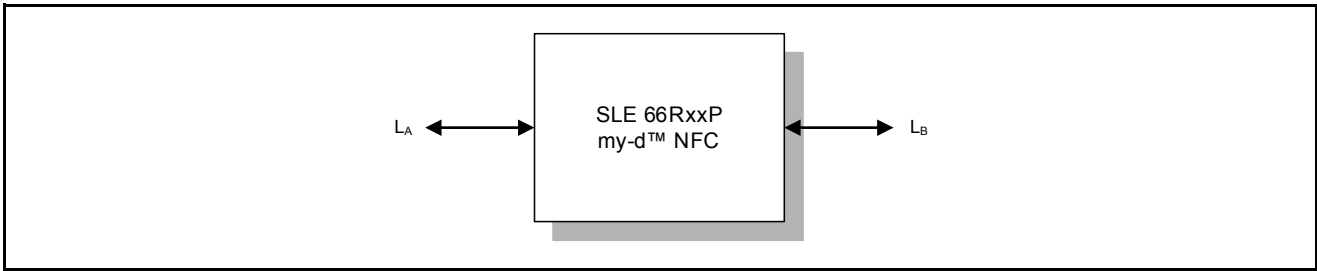
## 1.1 Pin description



**Figure 1-1 Pin configuration Module Contactless Card - MCC2 (top / bottom view)**



**Figure 1-2 Pin configuration Module Contactless Card - MCC8 (top / bottom view)**



**Figure 1-3 Pad configuration die**

**Table 1-2 Pin description and function**

Symbol	Function
L <sub>A</sub>	Antenna connection
L <sub>B</sub>	Antenna connection

## **2 my-d™ product family**

The my-d™ products are designed to meet increased demands for basic security and design flexibility. The family of contactless memory my-d™ supplies the user with different memory sizes and incorporates security features to enable considerable flexibility in the application design.

The functional architecture, meaning the memory organisation and authentication of my-d™ products is the same for both, my-d™ proximity (ISO/IEC 14443) and my-d™ vicinity (ISO/IEC 18000-3 mode 1 or ISO/IEC 15693). This eases the system design and allows simple adaptation between applications.

All my-d™ products are available in plain mode with open memory access and in secure mode with memory access controlled by authentication procedures.

Flexible controls within the my-d™ ICs start with plain mode operation and individual page locking; for more complex applications various settings in secure mode can be set for multi user / multi application configurations.

In secure mode a cryptographic algorithm based on a 64-bit key is available. Mutual authentication, message authentication codes (MAC) and customized access conditions protect the memory against unauthorized access. Configurable value counters featuring anti-tearing functionality are suitable for value token applications, such as limited use transportation tickets.

Architectural interoperability of all my-d™ products enables an easy migration from simple to more demanding applications.

In addition, the my-d™ light (ISO/IEC 18000-3 mode 1 or ISO/IEC 15693) is part of the my-d™ family. Its optimized command set and memory expands the range of applications to cost sensitive segments.

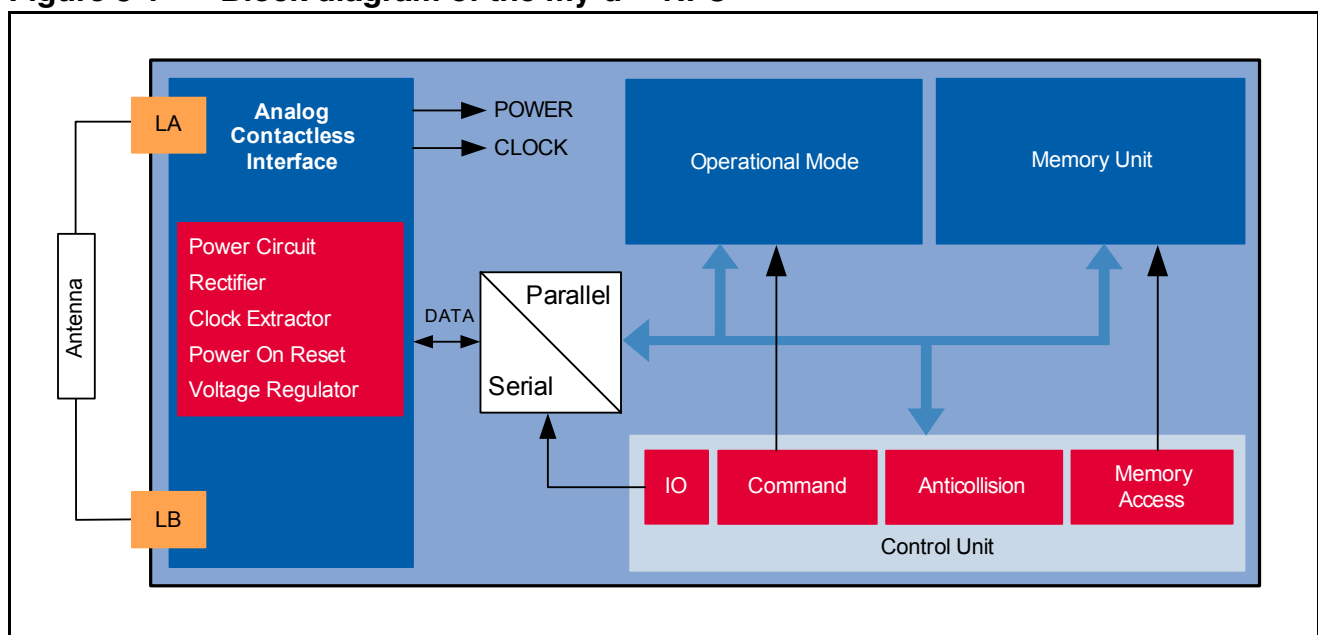
### 3 SLE 66RxxP my-d™ NFC

The my-d™ NFC products are products based on the ISO/IEC 14443-3 Type A standard for contactless proximity cards. The my-d™ NFC family additionally features my-d™ commands and NFC Forum™ Type 2 Tag commands. The products are targeting access and event ticketing as well as amusement and entertainment in particular high memory applications such as 'Smart Posters'. They are fulfilling the requirements of state of the art contactless memory ICs with respect to compatibility to the ISO/IEC 14443-3 standard part 1-3, operating range and command as well as feature set. Furthermore, the SLE 66RxxP family can be operated as NFC Forum™ - Type 2 Tag.

#### 3.1 Circuit Description

The my-d™ NFC is made up of an EEPROM memory unit, an analog interface for contactless energy and data transmission and a control unit.

**Figure 3-1 Block diagram of the my-d™ NFC**



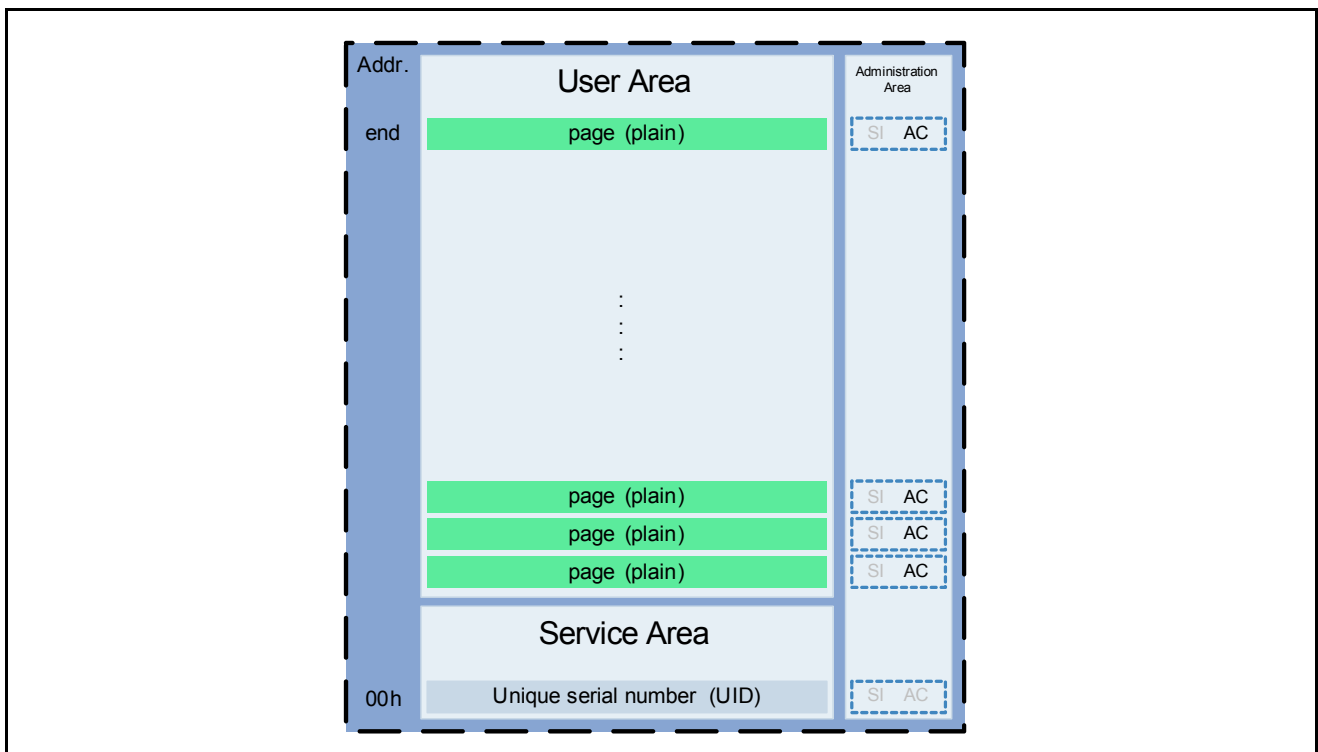
- **Analog Contactless Interface:**  
The Analog Contactless Interface comprises the voltage rectifier, voltage regulator and system clock to supply the IC with appropriate power. Additionally the data stream is modulated and demodulated.
- **Operational mode**  
The access to the memory depends on the actual configuration of the my-d™ NFC.
- **Memory Unit**  
The Memory Unit consists of up to 4096 bytes organised in up to 512 pages each of 8 user and 2 administration bytes.
- **Control Unit**  
The Control Unit decodes and executes all commands. Additionally the control unit is responsible for the correct anticollision flow.



### 3.2 Memory Principle

The memory is organized in 3 areas:

- User Area
- Service Area
- Administration Area



**Figure 3-2 my-d™ Memory Organization**

The User Area stores user data in up to 512 pages.

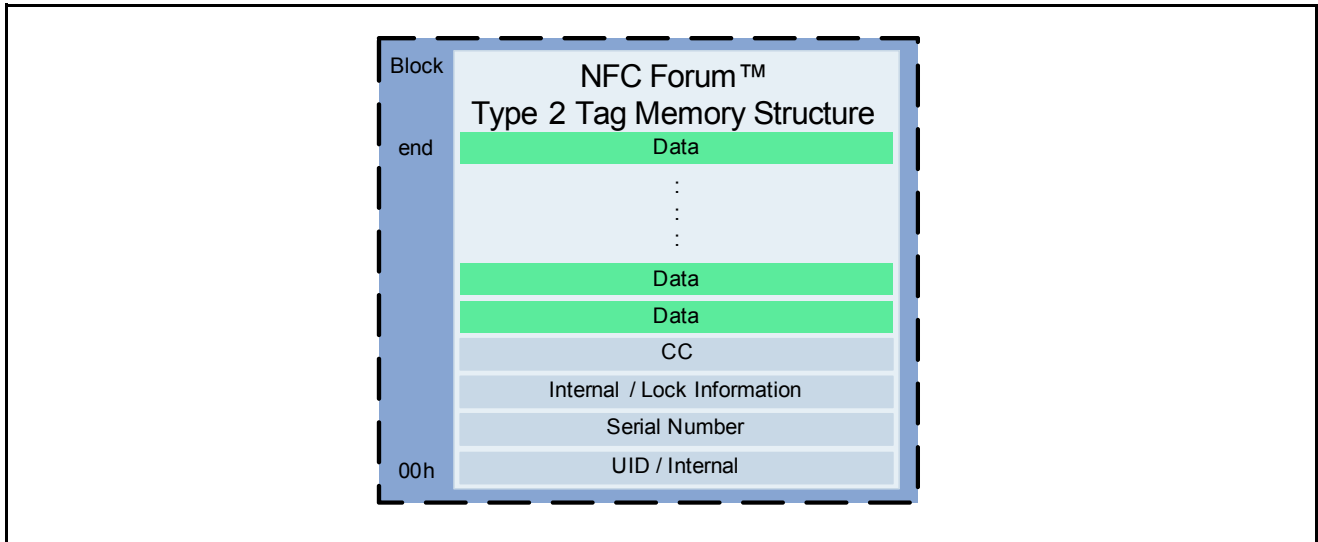
The Service Area stores manufacturer data and configuration data. This information is programmed at manufacture of the chip and cannot be changed.

The Administration Area stores 2 bytes of information about page administration.

Memory Principle for NFC Forum™ Type 2 Tag

### 3.3 Memory Principle for NFC Forum™ Type 2 Tag

Some parts of the my-d™ NFC memory can be configured to be accessible with NFC Forum™ Type 2 Tag commands. Static or a dynamic memory structures are configurable. The principle memory structure is shown in Figure 3-3



**Figure 3-3 NFC Memory Organization**

The block size in the NFC memory organization is 4 bytes. These blocks are accessible with NFC Forum™ Type 2 Tag commands as well as with my-d™ commands.

### 3.4 System Overview

The system consists of a host system, one or more my-d™ NFC cards and an ISO/IEC 14443-3 compatible contactless reader with an antenna. Alternatively, if the my-d™ NFC is configured to hold NFC Forum™ Type 2 Tag memory structure, a NFC Forum™ Device in card reader/writer mode can be used to operate the chip.

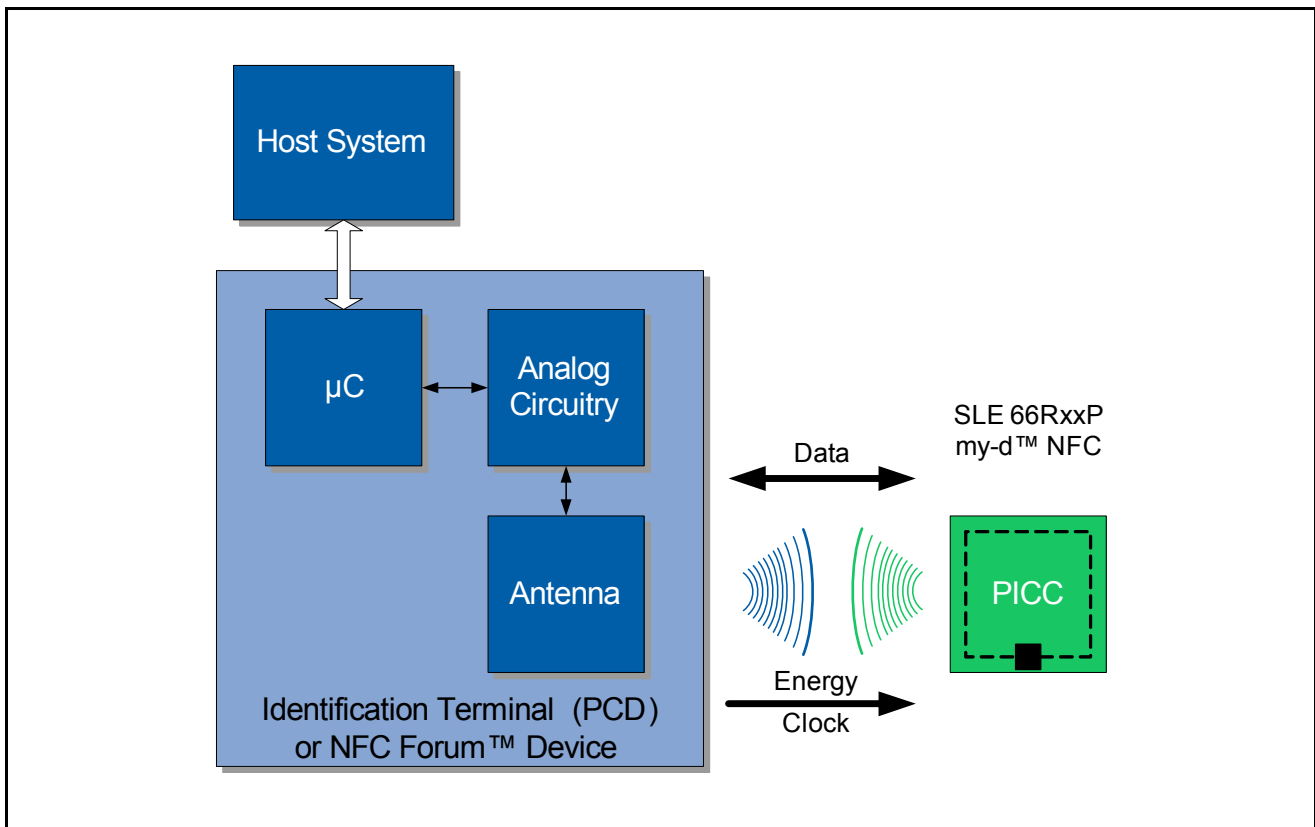


Figure 3-4 Secure my-d™ NFC RFID system

### 3.5 Product Versions

To identify the different types of my-d™ NFC contactless memories special chip type information is coded into the manufacturer page (page 02<sub>h</sub>, byte 0). The table below briefly describes the values of this byte for the different chip versions.

Table 3-1 Chip Information for different product variants

Sales Code	Chip Information Byte
SLE 66R04P	11xx_x010 <sub>b</sub>
SLE 66R16P	11xx_x100 <sub>b</sub>
SLE 66R32P	11xx_x101 <sub>b</sub>

### **3.6 Supported Standards**

- ISO/IEC 14443-3 Type A (Parts 1, 2 and 3)  
tested according to ISO/IEC10373-6 (PICC Test & Validation)
- Support of NFC Forum™ - Type 2 Tag Operation<sup>1)</sup>

### **3.7 Command set**

The my-d™ NFC chip is compliant to the ISO/IEC 14443-3 standard. A set of standard ISO commands is implemented to operate the chip. Additional to the ISO/IEC 14443 commands, NFC Forum™ - Type 2 Tag commands and a my-d™ specific command set is implemented. This facilitates the access to the on-chip integrated memory.

<sup>1)</sup> Application note concerning NFC Forum™ Type 2 Tag Operation available on request

[www.infineon.com/rfid](http://www.infineon.com/rfid)