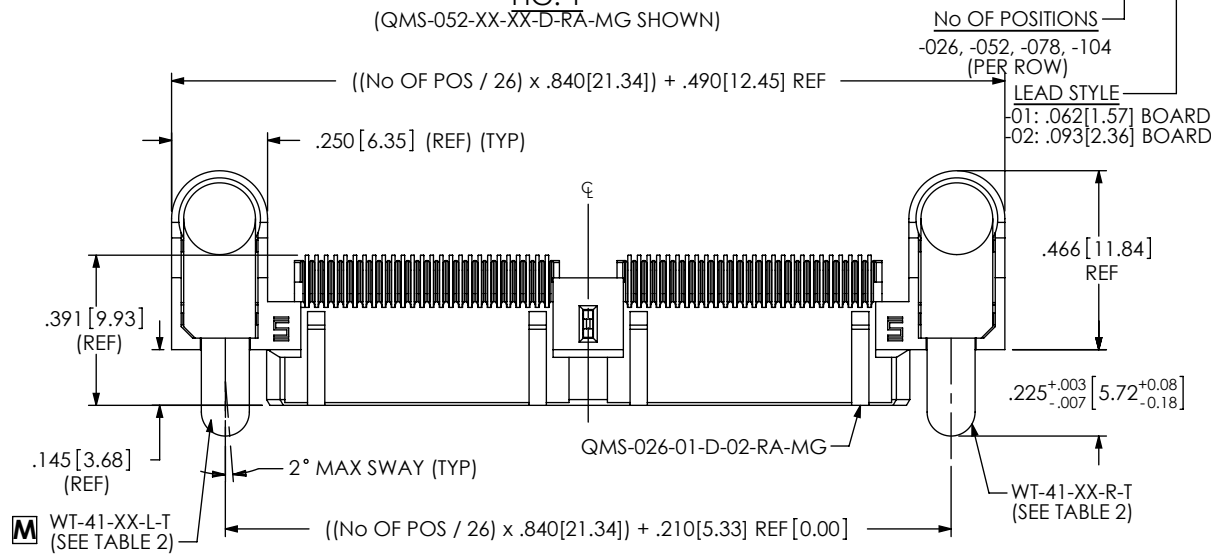


FIG. 1
(QMS-052-XX-XX-D-RA-MG SHOWN)



PACKAGING OPTION
 -TR: TAPE & REEL PACKAGING
 (-026 & -052 WITH NO OPTIONS)
 (-026 & -052 WITH -PC4)
 (-026 WITH -PC8)

OPTION
 -K: KAPTON PAD (USE K-850-650)
M -PC4: 4 POWER PINS (SEE FIG. 2, SHEET 3) (NOT AVAILABLE WITH -104 POS)
M -PC8: 8 POWER PINS (SEE FIG. 3, SHEET 3) (NOT AVAILABLE WITH -104 POS)

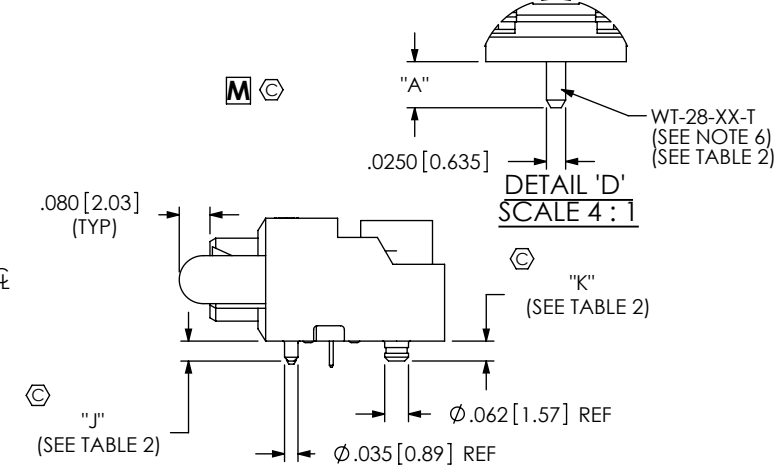
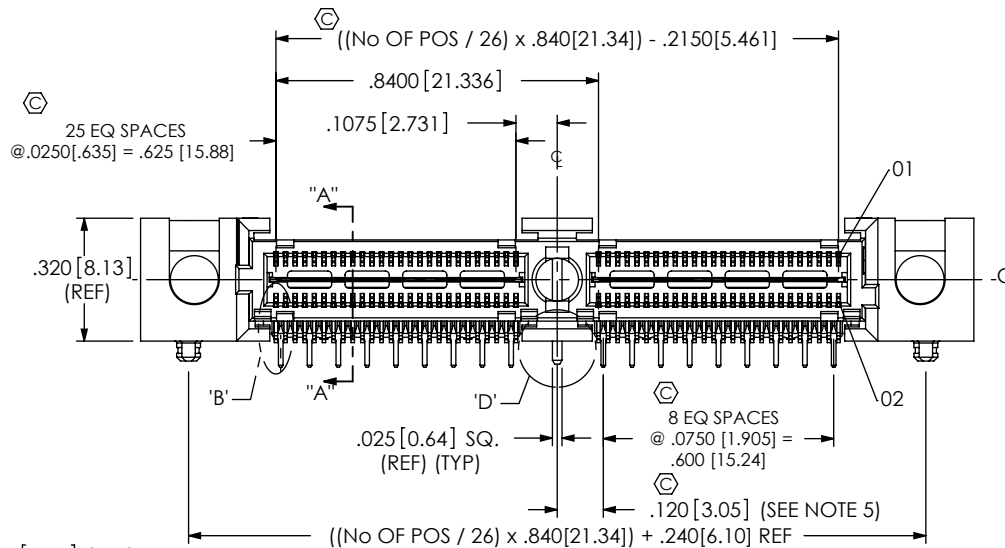
GUIDE POST
 -MG: METAL GUIDE POST (LEAVE BLANK FOR PLASTIC OR PCX. PLASTIC AVAILABLE AS ASO ONLY.)

-RA: RIGHT ANGLE

ROW SPECIFICATION
 -D: DOUBLE (USE QMS-XXX-01-D-XX-RA)

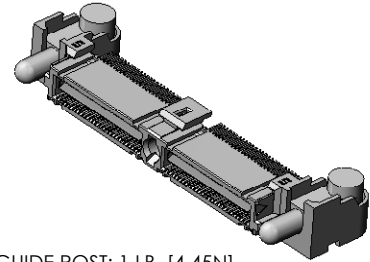
PLATING SPECIFICATION

-SL: LIGHT SELECTIVE GOLD (USE T-1M45-01-SL, T-1M46-01-SL, WT-28-XX-T, IM-1G27-XX-L, T-1S69-XX-SL, T-1R37-XX-T)
 -S: SELECTIVE GOLD (USE T-1M45-01-S, T-1M46-01-S, WT-28-XX-T, IM-1G27-XX-L, T-1S69-XX-S, T-1R37-XX-T)



NOTES:

- ⊙ REPRESENTS A CRITICAL DIMENSION.
- BURR ALLOWANCE: .0010 [0.02] MAX.
- MINIMUM PUSHOUT FORCE: SIGNAL: .5 LB. [2.22N] SHIELD/GROUND, POWER PIN, COUNTERWEIGHT AND METAL GUIDE POST: 1 LB. [4.45N]
- PARTS TO BE PACKAGED IN TRAYS AS STANDARD.
- DOES NOT APPLY TO 1 BANK.
- WT-28-XX-T NOT PRESENT ON SINGLE BANK WITH THE -MG OPTION



UNLESS OTHERWISE SPECIFIED, DIMENSIONS ARE IN INCHES.
 TOLERANCES ARE:
 DECIMALS ANGLES
 .XX: ±.01 [.3] 2°
 .XXX: ±.005 [.13]
 .XXXX: ±.0020 [.051]

PROPRIETARY NOTE
 THIS DOCUMENT CONTAINS INFORMATION CONFIDENTIAL AND PROPRIETARY TO SAMTEC, INC. AND SHALL NOT BE REPRODUCED OR TRANSFERRED TO OTHER DOCUMENTS OR DISCLOSED TO OTHERS OR USED FOR ANY PURPOSE OTHER THAN THAT WHICH IT WAS OBTAINED WITHOUT THE EXPRESSED WRITTEN CONSENT OF SAMTEC, INC.

samtec
 520 PARK EAST BLVD. NEW ALBANY, IN 47150
 PHONE: 812-944-6733 FAX: 812-948-5047
 e-Mail: info@SAMTEC.com code: 53322

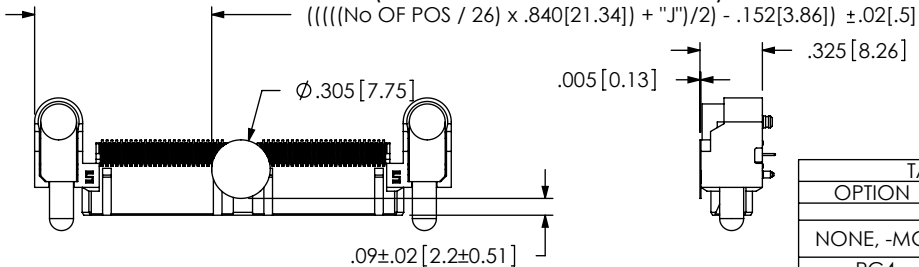
MATERIAL: DO NOT SCALE DRAWING SHEET SCALE: 2:1
 INSULATOR: LCP, COLOR BLACK
 CONTACT, POWER PIN, & GROUND PLANE: PHOS BRONZE
 COUNTERWEIGHT: BRASS
 METAL GUIDE POST: ZINC

DESCRIPTION: .635mm DUAL ROW RIGHT ANGLE PLUG ASSEMBLY
DWG. NO.: QMS-XXX-XX-XX-D-RA-XX-XXX-XX
BY: KNOWLDEN 8/25/2006 **SHEET 1 OF 4**

REVISION M

-K: KAPTON PAD
 QMS-052-01-XX-D-RA-MG-K SHOWN
 (USE K-850-650)
 (FOR 2 AND 4 BANKS ONLY)

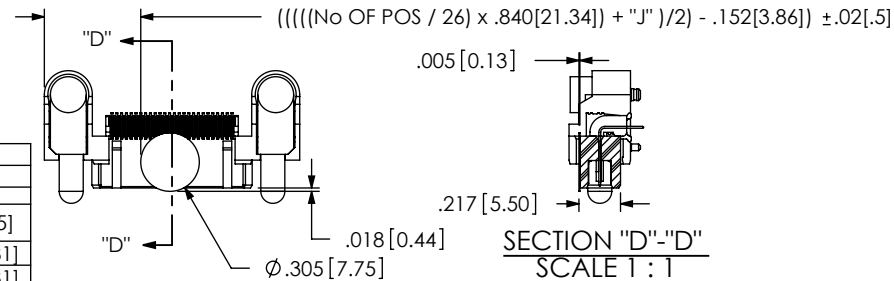
$$((((\text{No OF POS} / 26) \times .840[21.34]) + "J") / 2) - .152[3.86] \pm .02[.5]$$



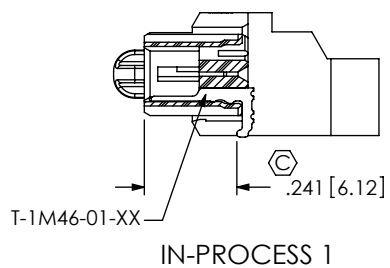
OPTION	"J"
NONE, -MG	.490 [12.45]
-PC4	1.016 [25.81]
-PC8	1.331 [33.81]

-K: KAPTON PAD
 QMS-026-01-XX-D-RA-MG-K SHOWN
 (USE K-850-650)
 (FOR 1 AND 3 BANKS ONLY)

$$((((\text{No OF POS} / 26) \times .840[21.34]) + "J") / 2) - .152[3.86] \pm .02[.5]$$

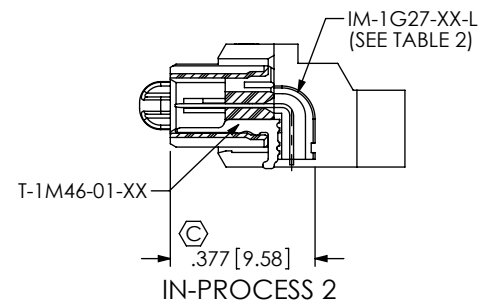


SECTION "D"-D"
 SCALE 1 : 1



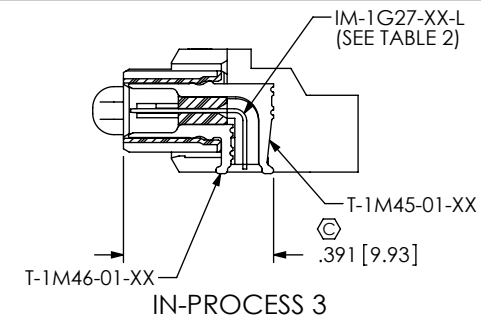
T-1M46-01-XX

IN-PROCESS 1



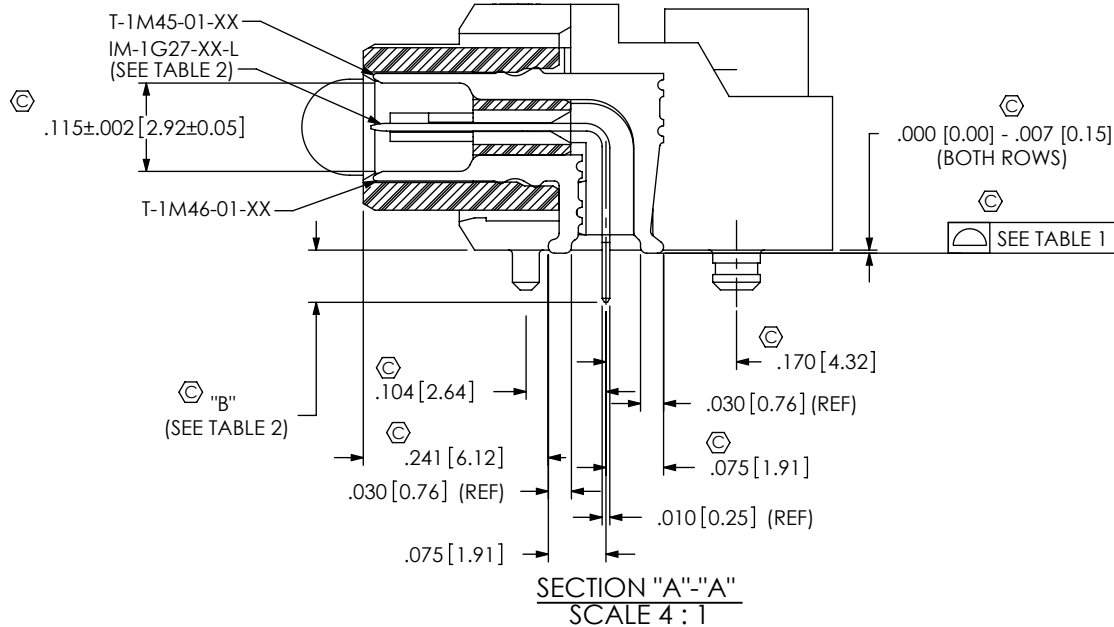
T-1M46-01-XX

IN-PROCESS 2



T-1M46-01-XX

IN-PROCESS 3



SECTION "A"-A"
 SCALE 4 : 1

LEAD STYLE	"A"	"B"	"C"	"J"	"K"	WT-28-XX-T	IM-1G27-XX-L	T-1R37-XX-T	WT-41-XX-X-T
-01	.060[1.52]	.068[1.73]	.055[1.40]	.052[1.32]	.052[1.32]	WT-28-01-T	IM-1G27-01-L	T-1R37-01-T	WT-41-01-X-T
-02	.098[2.49]	.099[2.51]	.086[2.18]	.083[2.11]	.083[2.11]	WT-28-02-T	IM-1G27-02-L	T-1R37-02-T	WT-41-02-X-T

M

No OF POSITIONS	COPLANARITY
-026 THRU -052	.004[0.10]
-078 THRU -104	.006[0.15]

PROPRIETARY NOTE
 THIS DOCUMENT CONTAINS INFORMATION
 CONFIDENTIAL AND PROPRIETARY TO
 SAMTEC, INC. AND SHALL NOT BE REPRODUCED
 OR TRANSFERRED TO OTHER DOCUMENTS OR
 DISCLOSED TO OTHERS OR USED FOR ANY
 PURPOSE OTHER THAN THAT WHICH IT WAS
 OBTAINED WITHOUT THE EXPRESSED WRITTEN
 CONSENT OF SAMTEC, INC.

DO NOT SCALE DRAWING

SHEET SCALE: 1:0.166667

samtec

520 PARK EAST BLVD, NEW ALBANY, IN 47150
 PHONE: 812-944-6733 FAX: 812-948-5047
 e-Mail: info@SAMTEC.com code: 55322

DESCRIPTION:
 .635mm DUAL ROW RIGHT ANGLE PLUG ASSEMBLY

DWG. NO.
 QMS-XXX-XX-XX-D-RA-XX-XXX-XX

BY: KNOWLDEN 8/25/2006 SHEET 2 OF 4

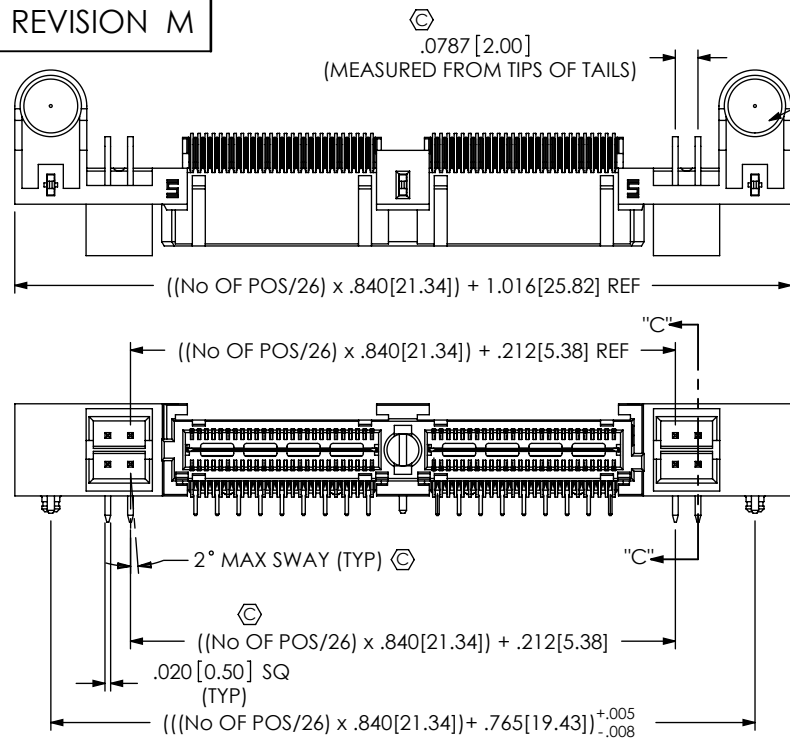


FIG. 2
(QMS-052-XX-XX-D-RA-PC4 SHOWN)
(SAME AS FIG. 1, DIFFERENT AS SHOWN)

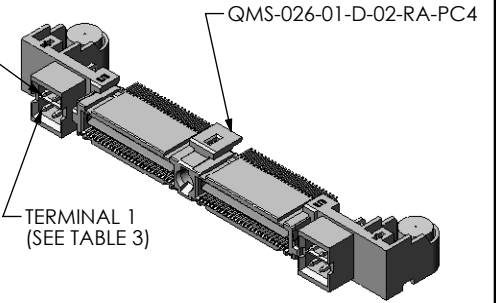
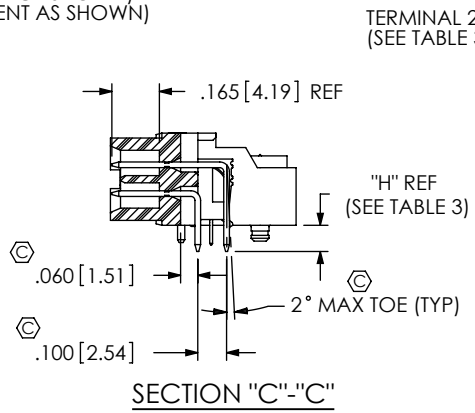


TABLE 3

LEAD STYLE	TERMINAL 1	TERMINAL 2	"D"	"E"	"F"	"G"	"H"
-01	T-1S69-01-XX	T-1S69-02-XX	.250 [6.35]	.489 [12.42]	.450 [11.43]	.689 [17.50]	.091 [2.31]
-02	T-1S69-03-XX	T-1S69-04-XX	.281 [7.13]	.520 [13.20]	.481 [12.22]	.720 [18.29]	.122 [3.10]

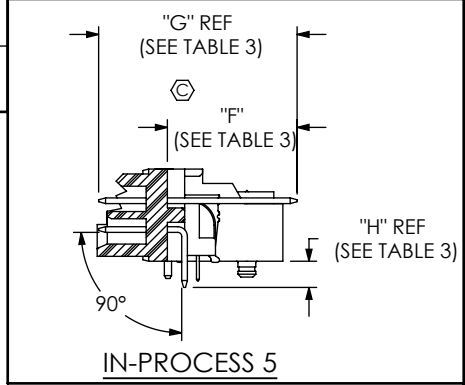
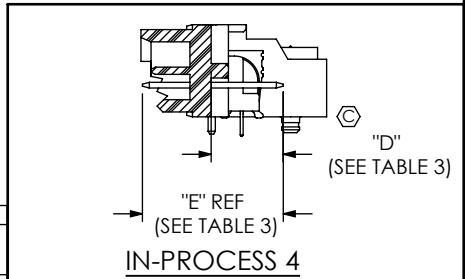
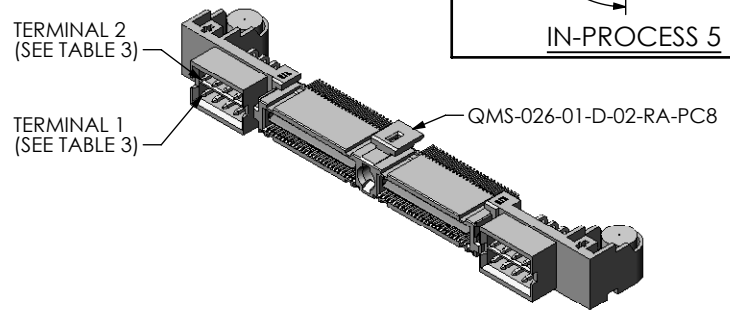
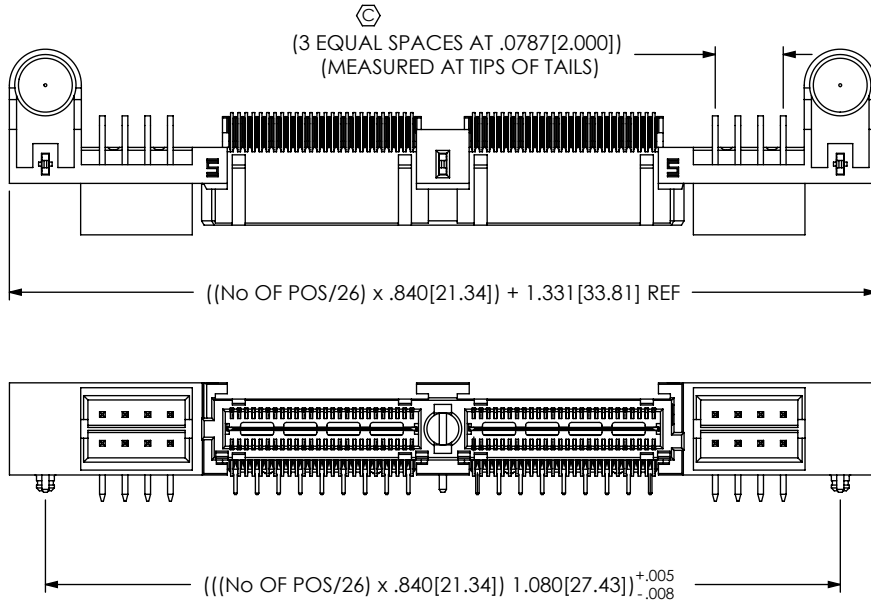


FIG. 3
(QMS-052-XX-XX-D-RA-PC8 SHOWN)
(SAME AS FIG. 2, DIFFERENT AS SHOWN)



PROPRIETARY NOTE
THIS DOCUMENT CONTAINS INFORMATION CONFIDENTIAL AND PROPRIETARY TO SAMTEC, INC. AND SHALL NOT BE REPRODUCED OR TRANSFERRED TO OTHER DOCUMENTS OR DISCLOSED TO OTHERS OR USED FOR ANY PURPOSE OTHER THAN THAT WHICH IT WAS OBTAINED WITHOUT THE EXPRESSED WRITTEN CONSENT OF SAMTEC, INC.

DO NOT SCALE DRAWING

SHEET SCALE: 1.5:1

520 PARK EAST BLVD. NEW ALBANY, IN 47150
PHONE: 812-944-6733 FAX: 812-948-5047
e-Mail: info@SAMTEC.com code: 55322

DESCRIPTION:
.635mm DUAL ROW RIGHT ANGLE PLUG ASSEMBLY

DWG. NO.
QMS-XXX-XX-XX-D-RA-XX-XXX-XX

BY: KNOWLDEN8/25/2006 SHEET 3 OF 4

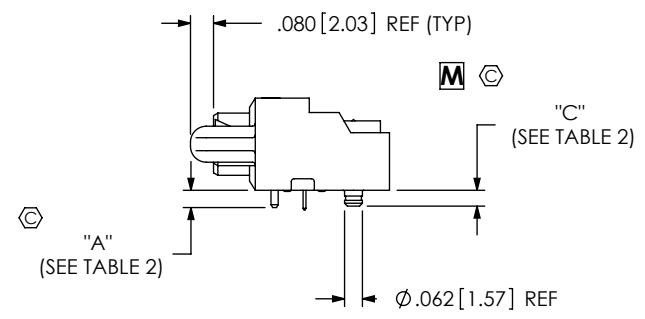
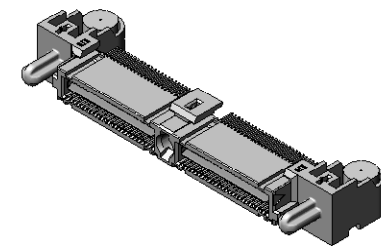
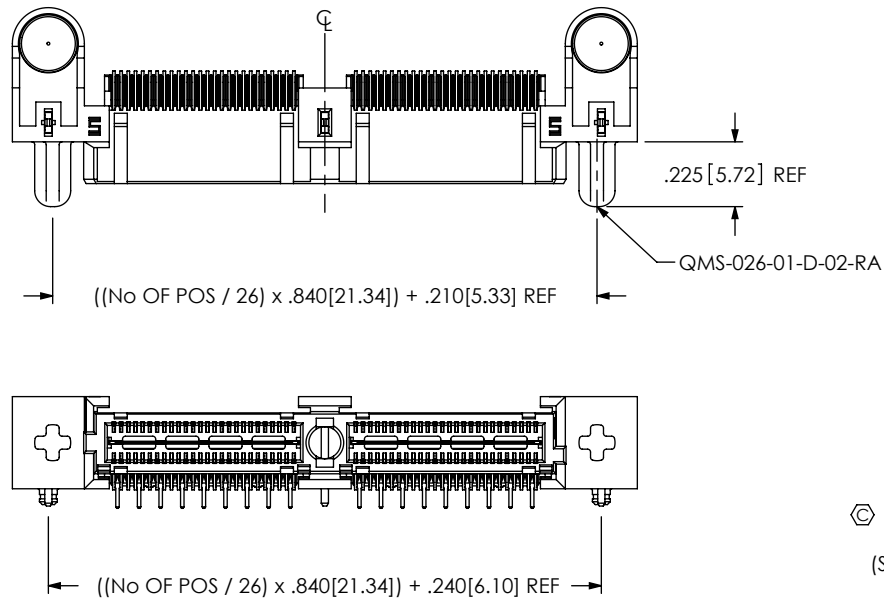
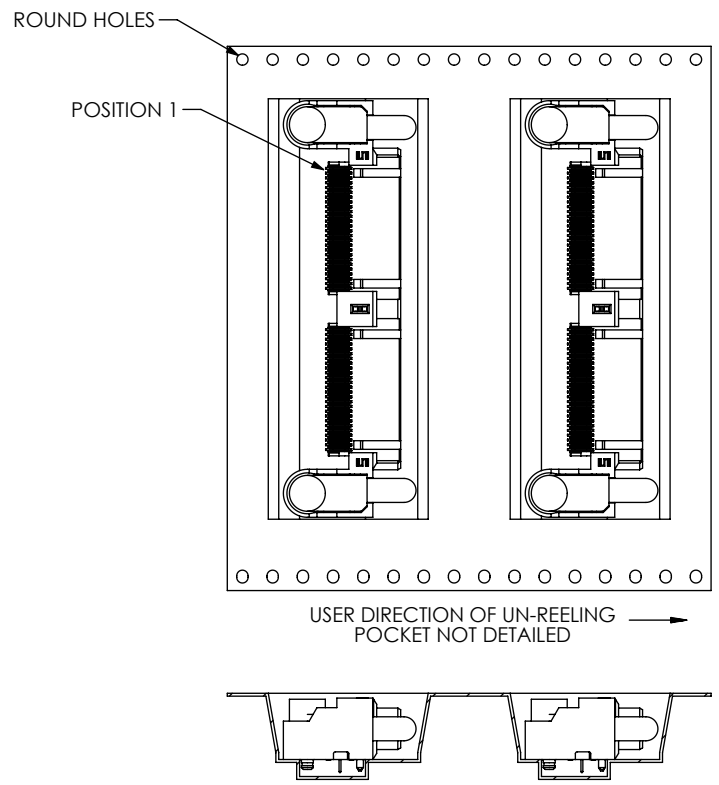


FIG. 4
 (QMS-052-01-XX-D-RA SHOWN)
 (SAME AS FIG. 1, DIFFERENT AS SHOWN)
AVAILABLE AS ASO ONLY

PACKAGING VIEW
 -TR: TAPE & REEL OPTION
 (QMS-052-01-XX-D-RA-MG-TR SHOWN)



<p>PROPRIETARY NOTE THIS DOCUMENT CONTAINS INFORMATION CONFIDENTIAL AND PROPRIETARY TO SAMTEC, INC. AND SHALL NOT BE REPRODUCED OR TRANSFERRED TO OTHER DOCUMENTS OR DISCLOSED TO OTHERS OR USED FOR ANY PURPOSE OTHER THAN THAT WHICH IT WAS OBTAINED WITHOUT THE EXPRESSED WRITTEN CONSENT OF SAMTEC, INC.</p> <p>DO NOT SCALE DRAWING</p> <p>SHEET SCALE: 1:1</p>	
	<p>520 PARK EAST BLVD., NEW ALBANY, IN 47150 PHONE: 812-944-6733 FAX: 812-948-5047 e-Mail: info@SAMTEC.com code: 55322</p>
	<p>DESCRIPTION: .635mm DUAL ROW RIGHT ANGLE PLUG ASSEMBLY</p>
	<p>DWG. NO. QMS-XXX-XX-XX-D-RA-XX-XXX-XX</p>
<p>BY: KNOWLDEN 8/25/2006 SHEET 4 OF 4</p>	