

# NOISE FILTER



Common Mode Choke Coil **PLA10** Series (Confirming to Safety Standard)

## Low Profile and High Performance Confirming to Safety Standards VDE0860 & IEC65

### FEATURES

1. Compact and light weight.
2. Low profile in vertical core layout.
3. Both standard winding type and sectional winding type for higher frequency noise are available.
4. Safety Standard : EN60065  
: IEC65

### APPLICATIONS

- Switching power supply, electric ballast (AC-AC converter)

### PART NUMBERING

(Please specify the part number when ordering.)



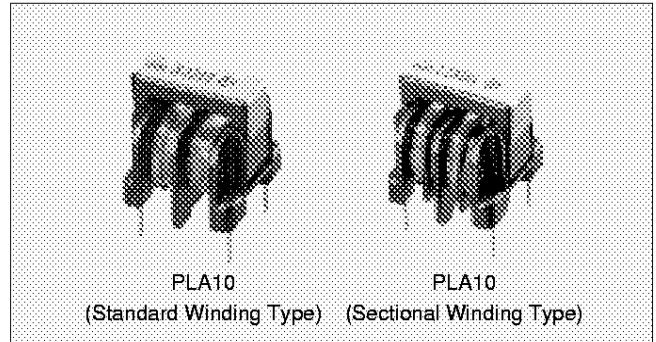
- ① Type
- ② Style                    A : Vertical type
- ③ Inductance            433→43mH
- ④ Rated Current        0R3→0.3Arms
- ⑤ Winding Mode        R : Standard Winding  
                                  D : Sectional Winding
- ⑥ Serial Number
- ⑦ Packaging Code        B1 : Bulk Package  
                                  M1 : Magazine Package

### RATINGS

Item	Rated Values
Rated Voltage	250Vac
Withstand Voltage (between coils)	2000Vac, one minute or 2400Vac, one second
Insulation Resistance (between coils : 500Vdc)	100MΩ min.
Operating Temperature Range	-25 to +60°C
Winding Temperature Rise	60K max. (with Rated Current)

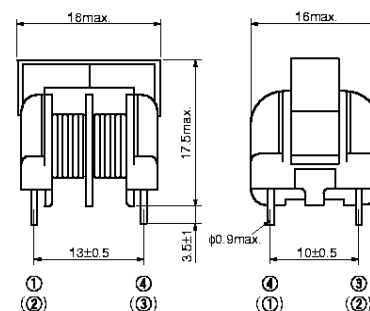
### SAFETY STANDARDS

Safety Standard	Certificate Numbers
DIN EN60065 (VDE0860)	120966ÜG
IEC65	US/2896A/UL (CB Test Certificate)

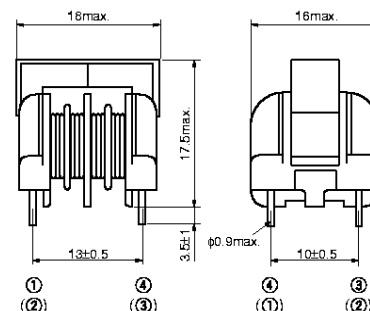


### DIMENSIONS

#### Standard Winding Type

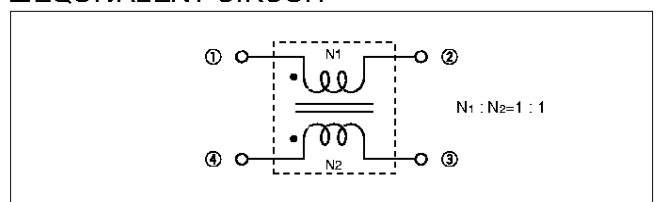


#### Sectional Winding Type



(in mm)

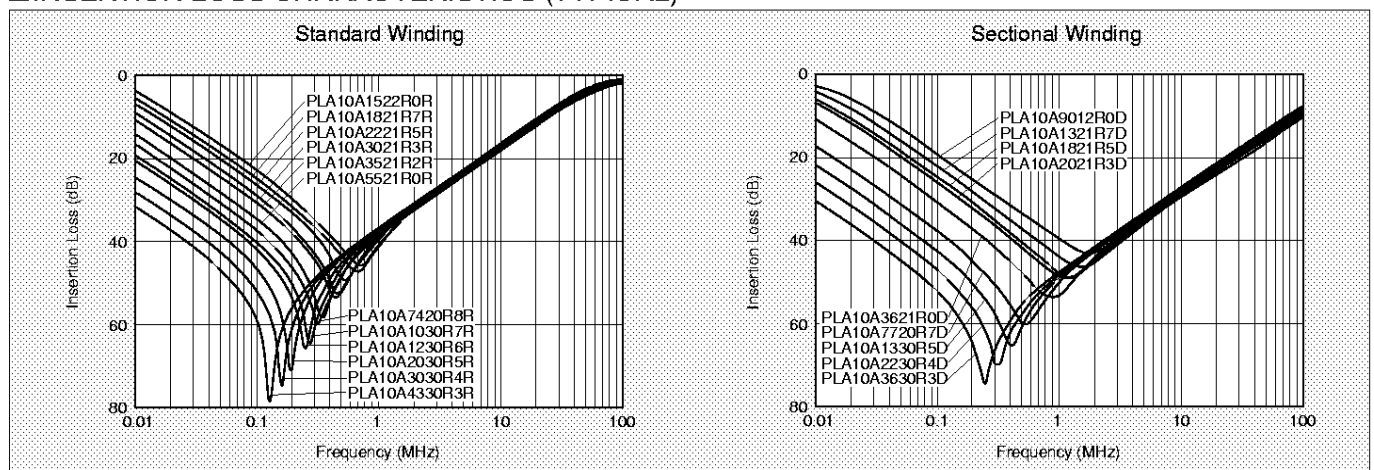
### EQUIVALENT CIRCUIT



**■ SPECIFICATIONS**

Standard Winding Type				Sectional Winding Type			
Part Number	Inductance (mH) min.	Rated Current (Arms)	DC Resistance (Ω) max.	Part Number	Inductance (mH) min.	Rated Current (Arms)	DC Resistance (Ω) max.
PLA10A4330R3R12	43.0	0.3	4.0	PLA10A3630R3D12	36.0	0.3	4.5
PLA10A3030R4R12	30.0	0.4	2.7	PLA10A2230R4D12	22.0	0.4	2.7
PLA10A2030R5R12	20.0	0.5	1.8	PLA10A1330R5D12	13.0	0.5	1.6
PLA10A1230R6R12	12.0	0.6	1.2	PLA10A7720R7D12	7.7	0.7	0.95
PLA10A1030R7R12	10.0	0.7	0.86	PLA10A3621R0D12	3.6	1.0	0.44
PLA10A7420R8R12	7.4	0.8	0.64	PLA10A2021R3D12	2.0	1.3	0.25
PLA10A5521R0R12	5.5	1.0	0.46	PLA10A1821R5D12	1.8	1.5	0.21
PLA10A3521R2R12	3.5	1.2	0.32	PLA10A1321R7D12	1.3	1.7	0.16
PLA10A3021R3R12	3.0	1.3	0.26	PLA10A9012R0D12	0.9	2.0	0.12
PLA10A2221R5R12	2.2	1.5	0.22				
PLA10A1821R7R12	1.8	1.7	0.18				
PLA10A1522R0R12	1.5	2.0	0.15				

**■ INSERTION LOSS CHARACTERISTICS (TYPICAL)**



2