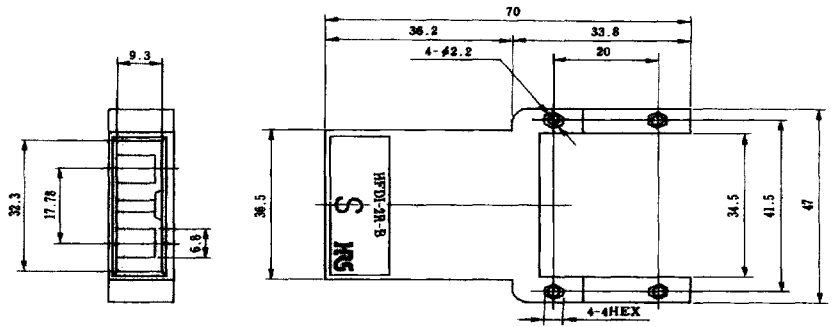
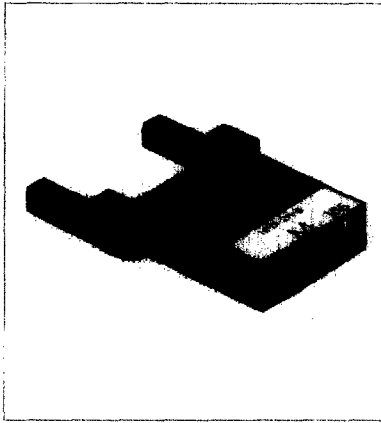
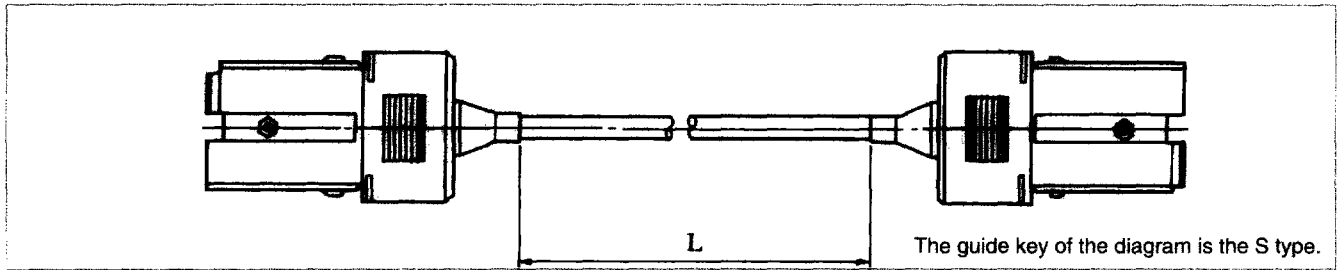


■ Receptacle



HRS No.	Product Number	Guide Key Type
CL705-0002-5	HFDI-2R-B(A)	A
CL705-0003-8	HFDI-2R-B(B)	B
CL705-0004-0	HFDI-2R-B(M)	M
CL705-0005-3	HFDI-2R-B(S)	S

■ Connectors with Cable Attached



Product Number	Connector Mounting End	Suitable Optical Fiber	Type of Polishing
HFDI-FP1-F3BW-L	One end	GI-50/125 φ3mm zip cord	Flat
HFDI-FP2-F3BW-L	Both ends		
HFDI-FP1-F3CW-L	One end	GI-62.5/125 φ3mm zip cord	PC
HFDI-FP2-F3CW-L	Both ends		
HFDI-SP1-F3BW-L	One end	GI-50/125 φ3mm zip cord	PC
HFDI-SP2-F3BW-L	Both ends		
HFDI-SP1-F3CW-L	One end	GI-62.5/125 φ3mm zip cord	PC
HFDI-SP2-F3CW-L	Both ends		

※ The guide key part will be appended.

※ The "L" within the Product Number indicates the length of the cable illustrated in the diagram. Please specify values in meter units.