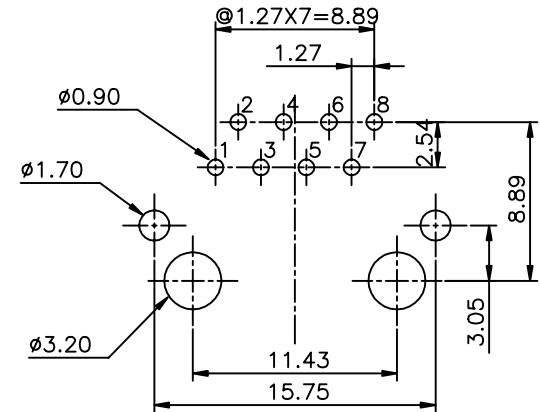
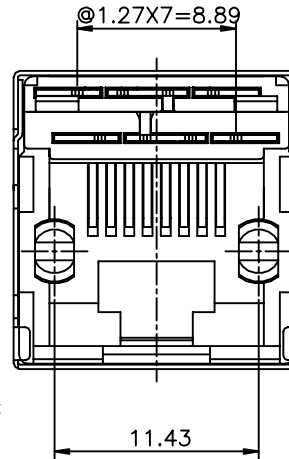
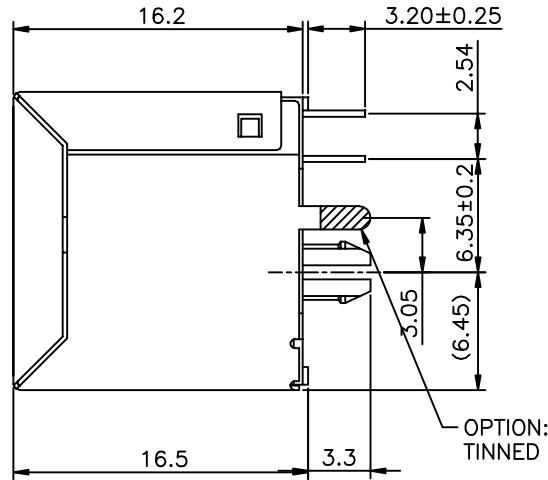
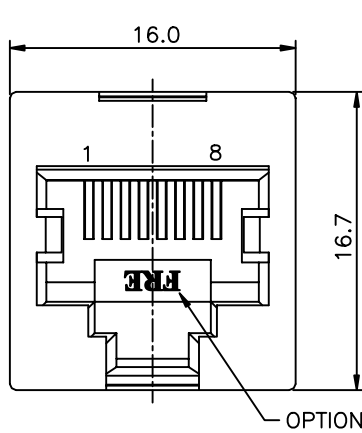


A1RFRD10

REVISION RECORD				
REV	ECO	DESCRIPTION	DRFT	CHKD
△		<b>P/N ADD</b>	John 12/04/02	
△		ADD CHARACTERISTIC	Yuki 12/07/05	
△		Modify Characteristic	Yuki 08/27/08	



PC Board Layout t=1.6mm  
Component Side Show

**NOTES:**

**ELECTRICAL:**

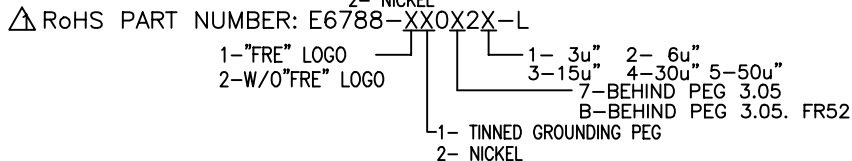
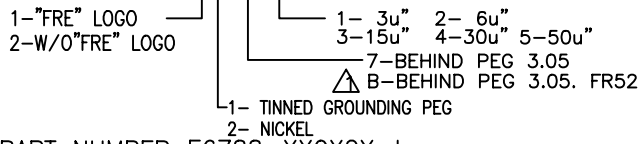
- 1. VOLTAGE RATING : 125 VAC RMS.
- 2. CURRENT RATING : 1.5 AMP.
- 3. CONTACT RESISTANCE : 30 MILLIOHMS MAX.
- 4. INSULATION RESISTANCE: 1000 MEGOHMS MIN @ 500 VDC.
- 5. DIELECTRIC STRENGTH : 750 VAC RMS 60HZ, 1MIN.

**MECHANICAL:**

- 1. SHIELD MATERIAL : BRASS C2680 t=0.25mm.
- 2. HOUSING MATERIAL : GLASS FILLED POLYESTER UL94V-0 COLOR-BLACK.
- 3. CONTACT MATERIAL : PHOSPHOR BRONZE t=0.35mm.
- 4. PLATING : SHIELD PLATING 30u"~50u" NICKEL OR GROUNDING PEG OVER TIN. CONTACT AREA- SELECTIVE GOLD PLATING. TAILS-150u" TIN MIN OVER 50u" NICKEL.
- 5. OPERATING LIFE : 2500 CYCLES MIN.
- 6. PCB RETENTION PRE-SOLDER : 1 LB MIN.
- 7. PCB RETENTION POST-SOLDER: 10 LBS MIN.

**ENVIRONMENTAL:**

- 1. STORAGE : -40°C TO +85°C.
  - 2. OPERATION: -40°C TO +85°C. △
- MATES WITH MODULAR PLUG CONFORMING TO FCC PART 68, SUBPART F.  
CUL FILE NO. E163191  
W/TIN PART NUMBER: E6788-XXOX2X



△ CATEGORY 5 CHARACTERISTIC: △

Frequency	Near-End Cross Talk dB, MIN.	Return Loss dB, MIN.	Attenuation dB, MAX.
1.0 MHZ	65.0	23.0	0.1
4.0 MHZ	65.0	23.0	0.1
8.0 MHZ	62.0	23.0	0.1
10.0 MHZ	60.0	23.0	0.1
16.0 MHZ	56.0	23.0	0.2
20.0 MHZ	54.0	23.0	0.2
25.0 MHZ	52.0	14.0	0.2
31.25 MHZ	50.0	14.0	0.2
62.5 MHZ	44.0	14.0	0.3
100.0 MHZ	40.0	14.0	0.4

DETACHED LIST	← MM (INCH) →	DFTO JACK	DATE 12/04/02'	<b>FULL RISE ELECTRONIC CO., LTD</b>	
	TOLERANCES EXCEPT AS NOTED	CHKD ANKUE	DATE 2008/8/28		
		MFO	DATE		
		APPVL WSHENG	DATE 2008/8/28		
	MM ± 0.2 .00 ± 0.15 .000 ± 0.075			TITLE	
	ANGLES ± 0.5	QT'Y :		W/SHIELD	
	THIRD ANGLE PROJECTION	FINISH :		HIGH SPEED TOP ENTRY MODULE JACK	
		SCALE : 1:1		DRAWING NO. GE673A06	SIZE A3
				/PART NO. SEE NOTE	REV 3
				DO NOT SCALE DRAWING	SHEET 1 OF 1