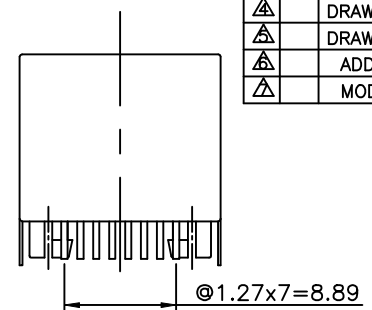
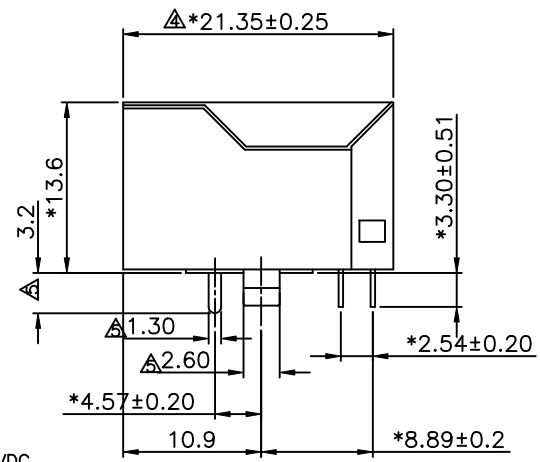
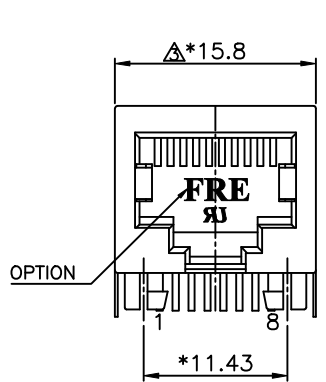


A1RFRD10

REVISION RECORD				
REV	ECO	DESCRIPTION	DRFT	CHKD
△		ADD PART NO.	Garvey 6/20/00	
△		ADD PART NO.	SHI 5/03/02	
△		DRAWING MODIFY	YELIN 8/9/02	
△		DRAWING MODIFY	Syng 7/18/03	
△		DRAWING MODIFY	GIANGU 5/12/04	
△		ADD PART NO.	SAMMY 08/10/04	
△		MODIFY NOTE	QUILER 12/22/04	



NOTES:
ELECTRICAL:

- VOLTAGE RATING : 125 VAC RMS. △
- CURRENT RATING : 1.5AMP. △
- CONTACT RESISTANCE : 40 MILLIOHMS MAX.
- INSULATION RESISTANCE: 1000 MEGOHMS MIN @ 500 VDC.
- DIELECTRIC STRENGTH : 1000 VAC RMS 60Hz, 1MIN.
- CATEGORY 5 CHARACTERISTIC:

Frequency	Near-End Cross Talk dB, MIN.	Return Loss dB, MIN.	Attenuation dB, MAX.
1.0 MHZ	65	23	0.1
4.0 MHZ	65	23	0.1
8.0 MHZ	62	23	0.1
10.0 MHZ	60	23	0.1
16.0 MHZ	56	23	0.2
20.0 MHZ	54	23	0.2
25.0 MHZ	52	14	0.2
31.25 MHZ	50	14	0.2
62.5 MHZ	44	14	0.3
100.0 MHZ	40	14	0.4

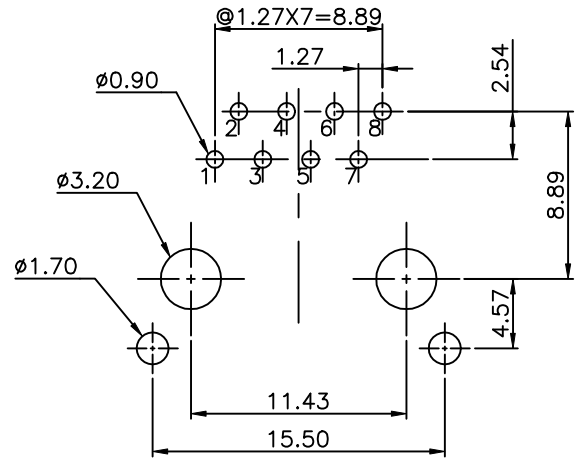
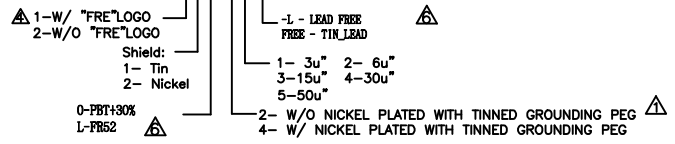
MECHANICAL:

- HOUSING MATERIAL : GLASS FILLED POLYESTER UL94V-0.
- CONTACT MATERIAL : PHOSPHOR BRONZE t=0.35mm.
- PLATING : GOLD PLATING OVER NICKEL.
- OPERATING LIFE : 750 CYCLES MIN.
- PCB RETENTION PRE-SOLDER : 1 LB MIN.
- PCB RETENTION POST-SOLDER: 10 LBS MIN.

ENVIRONMENTAL:

- STORAGE : -40°C TO +85°C.
 - OPERATION: 0°C TO +70°C.
- MATES WITH MODULAR PLUG CONFORMING TO FCC PART 68, SUBPART F.

PART NUMBER: E6588-XXX1XXXX



PC Board Layout Component Side Shown

DETACHED LISTS	MM (INCH)	DFTO ANITA	DATE 3/10/00'	FULL RISE ELECTRONIC CO., LTD	
	TOLERANCES EXCEPT AS NOTED	CHKD GIANGU	DATE 2005/1/10		
	MM	MFO	DATE	TITLE CAT.5 SHIELDED PCB JACK	
	.0 ±0.2	APPVLLUSHENG	DATE 2005/1/10		
.000 ±0.075	MATERIAL :	QT'Y :	DRAWING NO. GE653A06	SIZE A3	REV 7
ANGLES ± 0.5	FINISH :	SCALE : 2.5 : 1	/PART NO. SEE NOTE		DO NOT SCALE DRAWING
THIRD ANGLE PROJECTION			SHEET OF		