

**NEW**



Micro-USB Connector

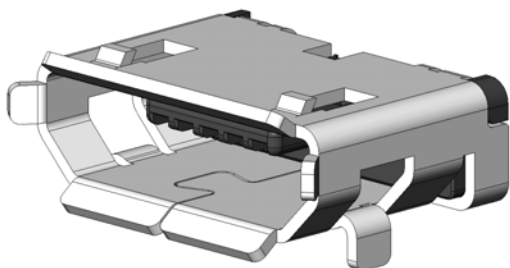
CONNECTOR

# DX4 Series

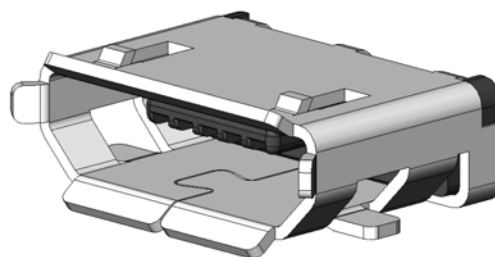
MB-0187-1

August 2008

**RoHS Compliant**



[Through-hole mount Type]



[Surface mount Type]

The DX4 Series is a compact and slim connector that is compatible with the Micro-USB type USB connector, newly standardized by the USB Implementers Forum, Inc.

## Features

- Compatible with Universal Serial Bus Micro-USB Cables and Connectors Specification, Revision 1.01
- Connector type: Type B
- Slim, space saving connector with 2.35mm height, 5mm depth
- Available in through-hole mount type and surface mount type
- Structure with enhanced resistant to twisting through use of high strength stainless steel.

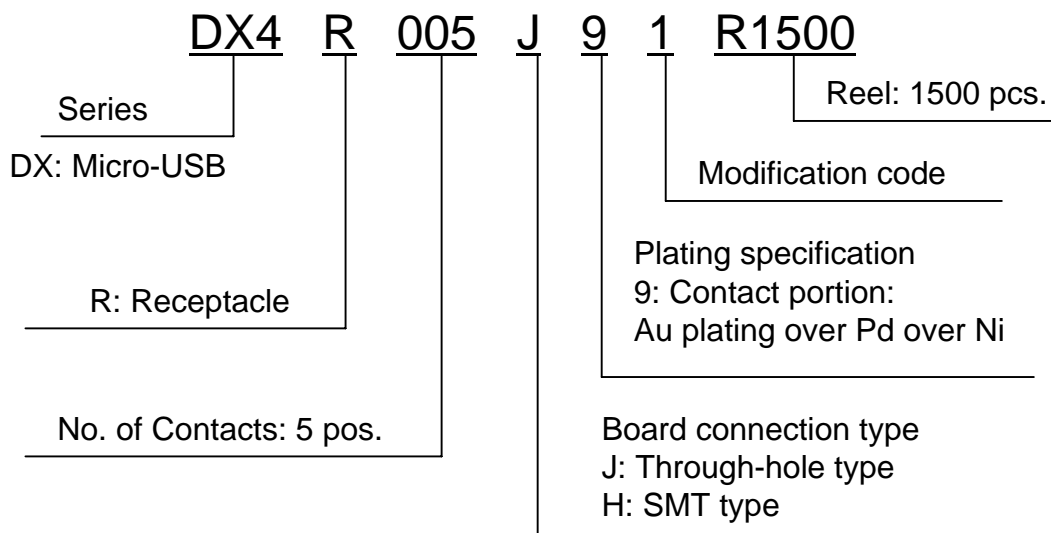
## General Specifications

- |   |                                  |
|---|----------------------------------|
| ■No. of contacts: 5 pos.                    | ■Rated voltage: 1.8A (Vbus, GND) |
| ■Contact resistance:                        | Others 0.5A                      |
| 30m ohm max. (initial)                      | ■Rated Voltage: AC30Vrms         |
| ■Dielectric withstanding voltage:           | ■Operating temperature:          |
| DC500 per minute                            | -30 Deg. C to +80 Deg. C         |
| ■Insulation resistance: 1000M ohm (initial) | ■Durability: 10,000 times        |

Materials and Finishes

Component	Material/ Finish
Insulator	Glass filled nylon resin UL94V-0
Contact	Copper alloy/ Contact area: Au plating over Pd over Ni Terminal area: Au flash plating over Ni
Shell	Stainless steel/ Sn plating over Ni

Ordering Information

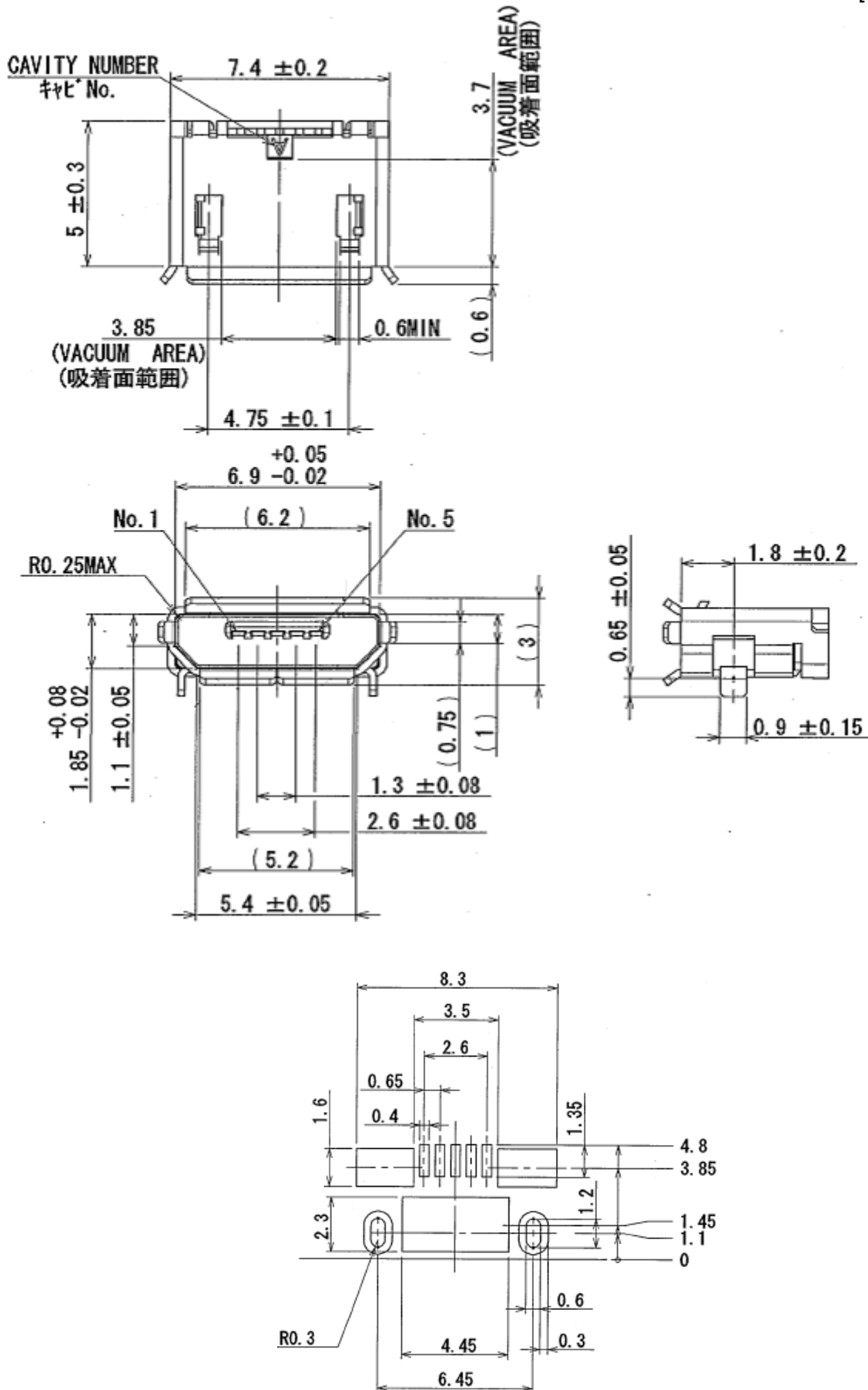


Micro-USB Connector Type	Part Number	SJ Drawing	Specifications
Type B	Individual Product (Through-hole Type): DX4R005J91	SJ107045	JACS-30097
	Reel (Through-hole Type): DX4R005J91R1500	SJ107053	
	Individual Product (SMT Type): DX4R005H91	SJ107089	
	Reel (SMT Type): DX4R005H91R1500	SJ107387	

Note: Please place your order in reel units.

Through-hole Type: DX4R005J91

Unit: [mm]



Applicable Dimensions of Board (for Reference)

