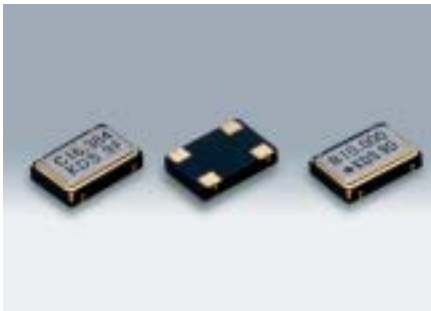


# SMD Type Crystal Oscillators

## DS0751S SERIES



### ■ Features

- For visual application,  $\Delta f/F_0 \leq \pm 30 \times 10^{-6}$  is available.  
28.636MHz, 28.375MHz, 14.318MHz.
- Achieved highest reliability with seam seal technology.
- Good for automatic mounting and reflow soldering.

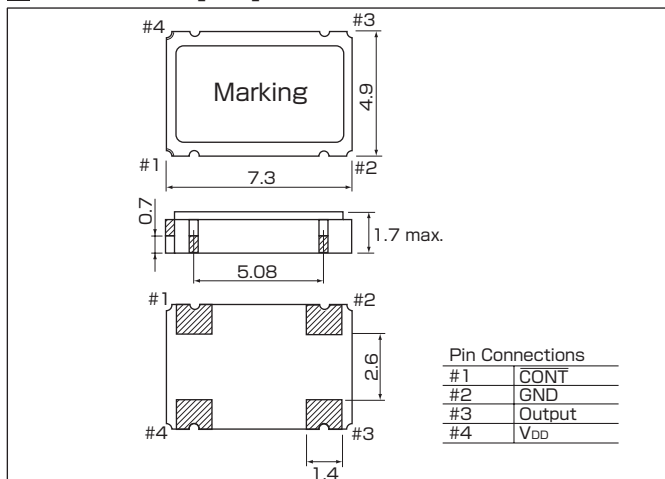
### ■ Generic Specification

Item	Type	Legend	DS0751SB	DS0751SA	Condition
Generic Characteristics	Output Frequency Range	F <sub>0</sub>	1.8MHz~90MHz	1.8MHz~50MHz	
	Frequency Stability	$\Delta f/F_0$	$\pm 50 \times 10^{-6}, \pm 100 \times 10^{-6}$		-10~+70°C Includes frequency tolerance at room temperature.
	Supply Voltage	V <sub>DD</sub>	+5V±0.5V		
	Operating Temperature Range	T <sub>opr</sub>	-10~+70°C		
	Current Consumption 1	I <sub>DD1</sub>	30mA max. (F <sub>0</sub> ≤50MHz) 45mA max. (50MHz<F <sub>0</sub> ≤75MHz) 60mA max. (75MHz<F <sub>0</sub> )	30mA max.	When no load is applied.
	Current Consumption 2 (1 pin, "L" Level)	I <sub>DD2</sub>	20mA max. (F <sub>0</sub> ≤50MHz) 30mA max. (50MHz<F <sub>0</sub> ≤70MHz) 40mA max. (F <sub>0</sub> >70MHz)	15mA max.	Output high impedance.
Output Characteristics	Output Disable Time	T <sub>PLZ</sub>	100nsec. max.		
	Output Enable Time	T <sub>PZL</sub>	100nsec. max.		
	Symmetry of Wave Form	Symmetry	45%~55% (F <sub>0</sub> ≤10MHz) 40%~60% (F <sub>0</sub> >10MHz)	45%~55% (F <sub>0</sub> ≤10MHz) 40%~60% (F <sub>0</sub> >10MHz)	SB : V <sub>DD</sub> ×0.5 Level SA : 1.4V Level
	Rise and Fall Time	T <sub>r</sub> ,T <sub>f</sub>	10nsec. max. (F <sub>0</sub> ≤50MHz) 8nsec. max. (50MHz<F <sub>0</sub> ≤70MHz) 5nsec. max. (F <sub>0</sub> >70MHz)	10nsec. max. (F <sub>0</sub> ≤20MHz) 5nsec. max. (20MHz<F <sub>0</sub> ≤50MHz)	SB : V <sub>DD</sub> ×0.1~V <sub>DD</sub> ×0.9 SA : +0.5V~+2.4V
	"0"Level	V <sub>OL</sub>	+0.5V max.		
	"1"Level	V <sub>OH</sub>	V <sub>DD</sub> ×0.9V min.		
	Load Condition(TTL)	N	10LS-TTL max.	10TTL max.	SB : R <sub>L</sub> =1.5kΩ SA : R <sub>L</sub> =390Ω
	Load Condition(C-MOS)	CL	50pF max. (F <sub>0</sub> ≤50MHz) 15pF max. (F <sub>0</sub> >50MHz)	15pF max.	
Input Characteristics	Input Voltage Level	V <sub>IL</sub> V <sub>IH</sub>	V <sub>IL</sub> =+0.8V max. / V <sub>IH</sub> =+2.2V min.		
	Input Current	I <sub>IL</sub> I <sub>IH</sub>	I <sub>IL</sub> =-150μA max. / I <sub>IH</sub> =+100μA max.		

Packing Unit : 1000pcs./reel

Consult our sales representative for other specifications or special specifications.

### ■ Dimensions[mm]



### ■ Recommended Land Pattern

[mm]

