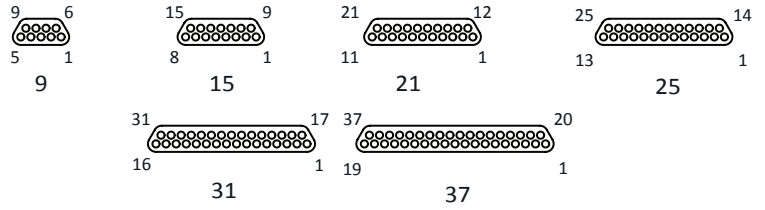
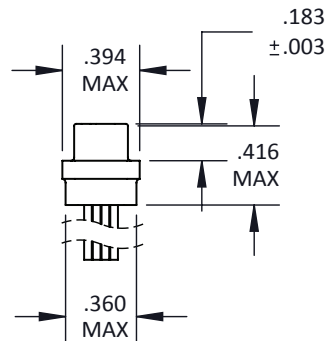
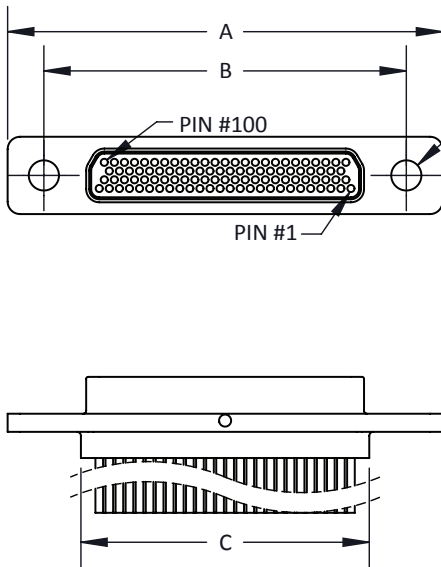
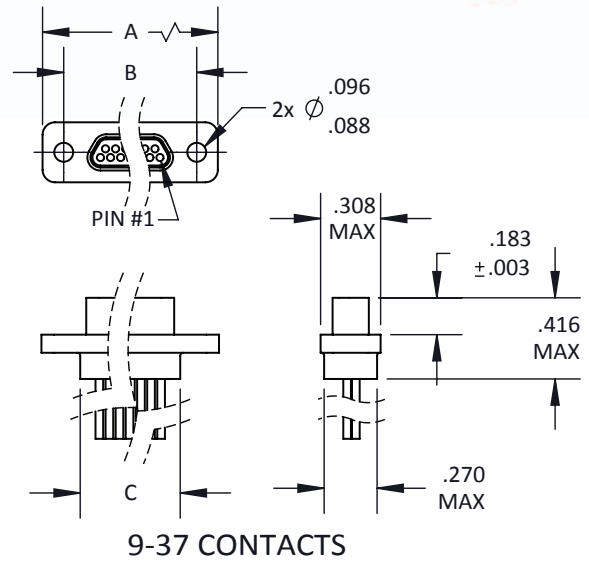
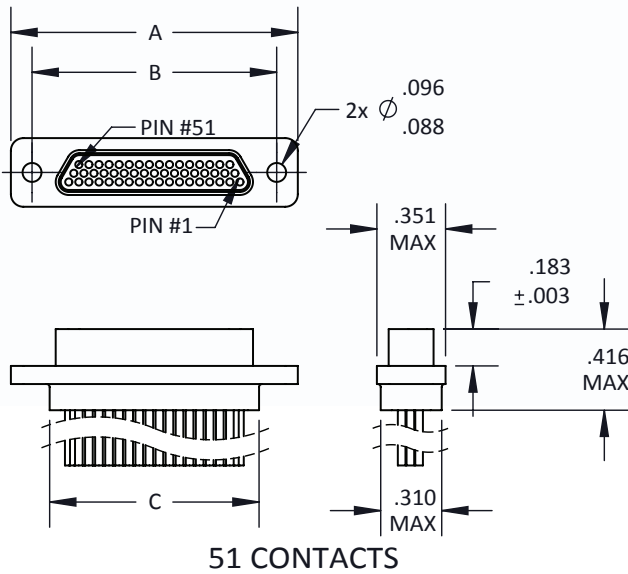
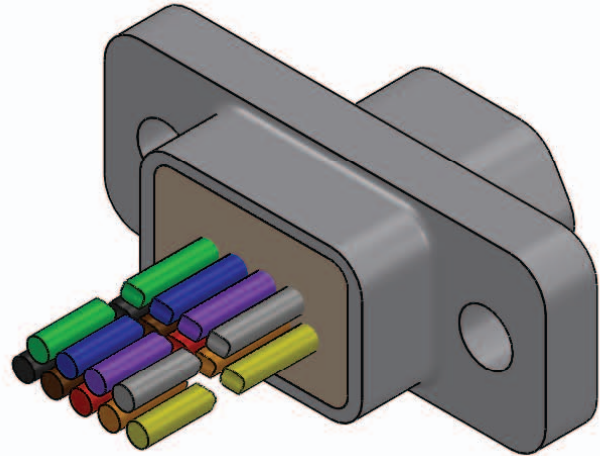


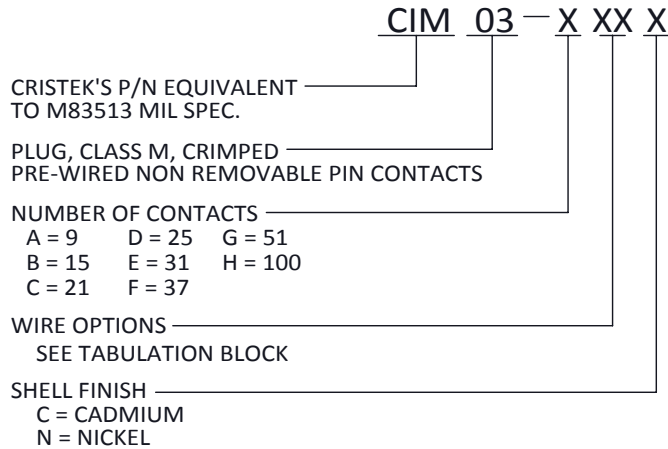
NO. OF CONTACTS	A MAX	B BSC	C MAX
9	.785	.565	.400
15	.935	.715	.550
21	1.085	.865	.700
25	1.185	.965	.800
31	1.335	1.115	.950
37	1.485	1.265	1.100
51	1.435	1.215	1.050
100	2.170	1.800	1.442



MATING FACE



WIRE OPTIONS TABULATION BLOCK						
LENGTH	+1.00 -0.00			+0.020 -.000		WIRE TYPE
	18"	36"	72"	.5"	1.0"	
DASH NUMBER	01	02	13	/	/	M22759/11-26-9 (ALL WHITE)
	03	04	14	/	/	M22759/11-26-*** COLOR CODE PER M83513
	09	10	15	/	/	M22759/33-26-9 (ALL WHITE)
	11	12	16	/	/	M22759/33-26-*** COLOR CODE PER M83513
	/	/	/	05	/	QQ-W-343, TYPE S 25 AWG GOLD PLATE .000010" MIN
	/	/	/	/	06	QQ-W-343, TYPE S 25 AWG GOLD PLATE .000010" MIN
	/	/	/	/	07	QQ-W-343, TYPE S 25 AWG TIN/LEAD PLATE .000100" MIN
	/	/	/	/	08	QQ-W-343, TYPE S 25 AWG TIN/LEAD PLATE .000100" MIN



MATERIAL AND FINISHES ARE IAW MIL-DTL-83513 FOR DETAILS SEE MIL SPEC OR WWW.CRISTEK.COM

1. MATERIALS:

SHELL - ALUMINUM ALLOY
 INSULATOR - GLASS FILLED THERMOPLASTIC
 PIN CONTACT - COPPER ALLOY
 WIRE - SEE TABULATION BLOCK

2. FINISH:

SHELL - ELECTROLESS NICKEL OR CADMIUM OVER ELECTROLESS NICKEL
 PIN CONTACT - GOLD OVER NICKEL

3. SPECIFICATIONS:

CURRENT RATING ----- 3 AMPS MAX
 TEMPERATURE RATING ----- -55° C TO +125° C
 INSULATION RESISTANCE ----- 5000 MEGOHMS MIN
 DWV AT SEA LEVEL ----- 600 VAC
 DWV AT 70,000 FT ALTITUDE ---- 150 VAC
 CONTACT RESISTANCE:
 26 AWG (STRANDED) = 28 MILLIOHMS MAX
 24 & 25 AWG (SOLID) = 25 MILLIOHMS MAX
 CONTACT RETENTION ----- 5 lb MINIMUM AXIAL LOAD
 ENGAGEMENT FORCE ----- 6 oz MAX
 SEPARATION FORCE ----- 0.5 oz MIN

4. ADDITIONAL INFORMATION:

FOR CROSS-REFERENCING CRISTEK PART NUMBERS TO M83513, SEE CROSS REFERENCE INFORMATION IN THE FRONT OF THIS SECTION. FOR MOUNTING HARDWARE OPTIONS, SEE THE HARDWARE PAGES AT THE END OF THIS SECTION