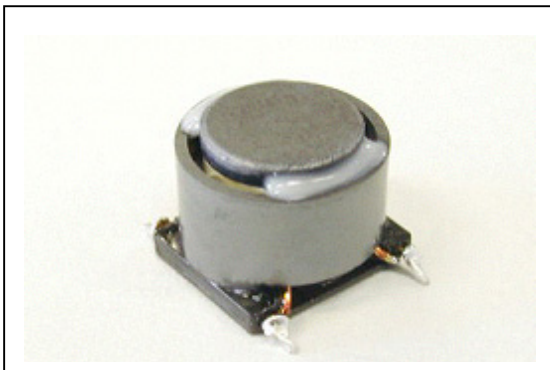


Power inductors (dual type) CD-C-1315WA series



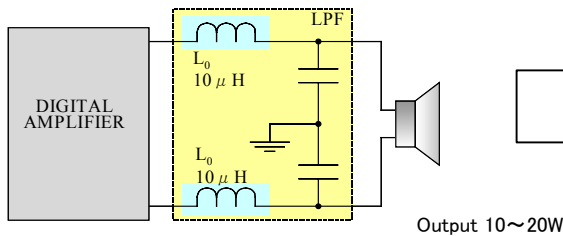
Features

- It can be replaced with one dual type inductor to use two current inductors.(Figure below)
- It is applies to the power output 10~20W type.
- Closed magnetic path type.
- Reflow soldering
- SMT compatibility

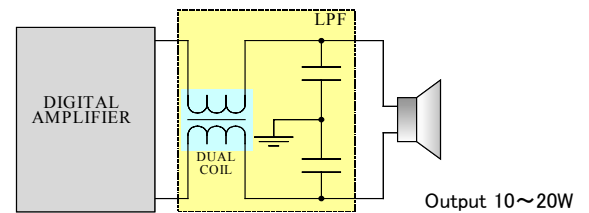
Applications

- Digital amplifier(Output low pass filter)

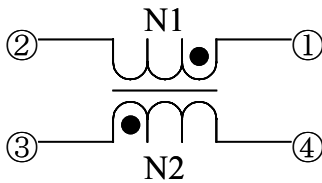
Current



Dual Type

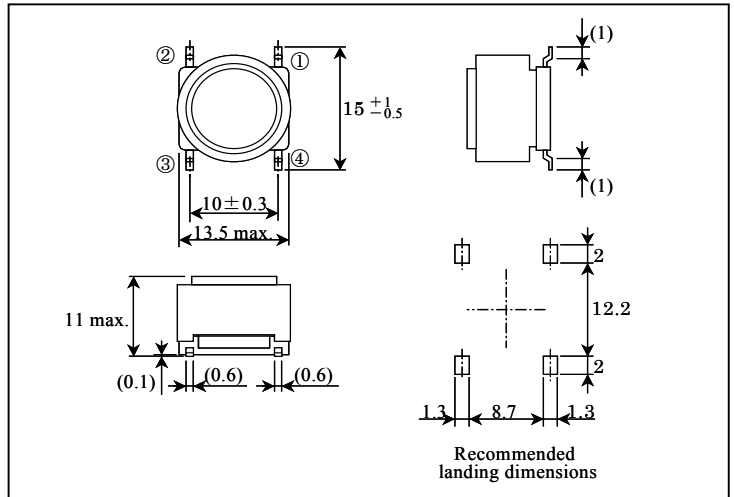


Specifications



Withstand voltage	DC100V 1min. (N1-N2, core-coil)
Insulation resistance	DC100V 100MΩ min. (N1-N2, core-coil)
Operating temperature	-25°C ~ +100°C (including self-temperature rise)

Shapes and dimensions



Standard models

Model No.	Rated current*1 [A]	Rated current*2 [A]	Winding	Inductance [μH]	Inductance tolerance	DC resistance [Ω]
CD-C-1315WA-100	4.5	3.0	N1	20	±20%	22
			N2	(N1+N2)		23
CD-C-1315WA-220	3.2	2.3	N1	44	±20%	36
			N2	(N1+N2)		37
CD-C-1315WA-470	2.1	1.6	N1	94	±20%	74
			N2	(N1+N2)		75

Rated current*1 : The current at which the inductance is 20% below its initial value(Ta=25°C)
 Rated current*2 : The D.C. current at which Δt=40°C

@ 1KHz, 20°C