

Connectors

Rectangular Connectors

FCN-82/83 Series

■ FEATURES

High-density, highly reliable connectors developed for inter connecting a motherboard and a daughterboard.

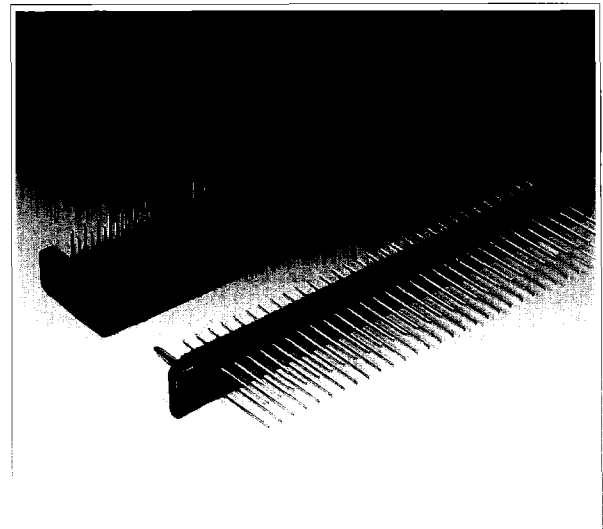
The 82 and 83 series include models with 60, 88, 90, and 120 contacts. Each model has guide pins at both ends to prevent mismatching.

■ SPECIFICATIONS

Item	Specification
Operating temperature range	-55°C to +85°C
Current rating	DC 3 A
Voltage rating	AC 250 V
Contact resistance	25 mΩ max. (DC 6 V, 0.3 A)
Insulation resistance	1000 MΩ min. (DC 500 V)
Dielectric withstanding voltage	AC 500 V for 1 minute

■ MATERIALS

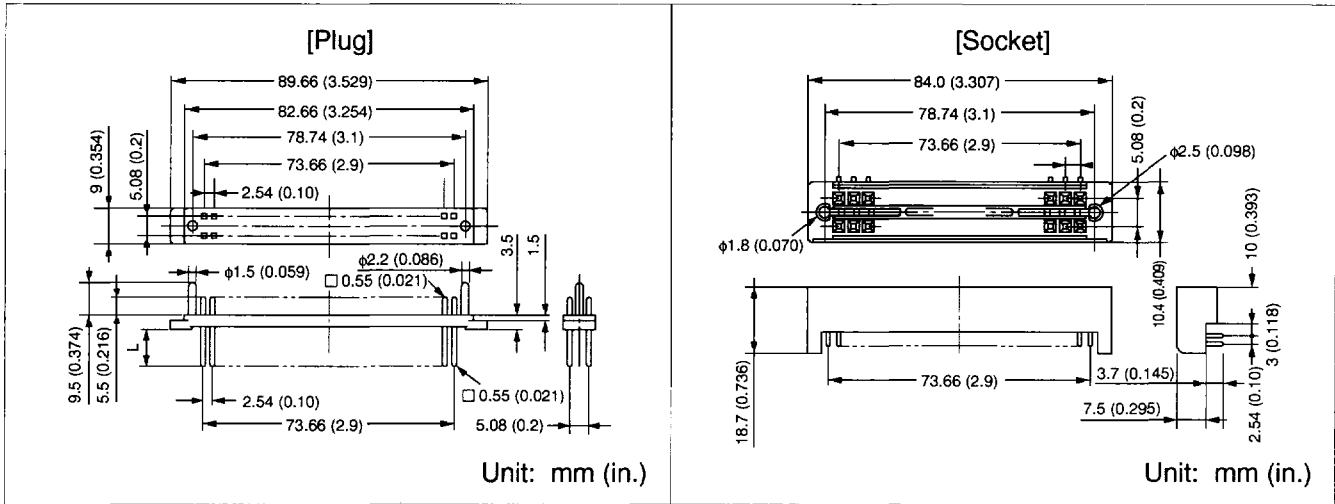
Item	Material
Insulator	Polyester
Conductor	Copper alloy
Plating	Gold plating



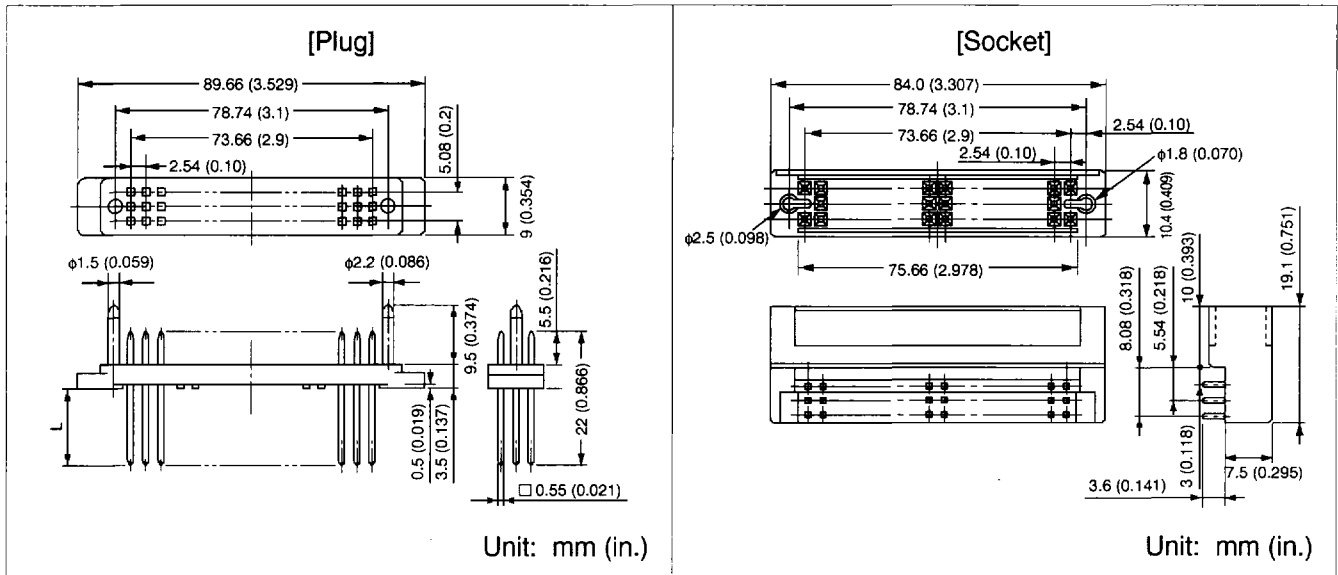
FCN-82/83 Series

■ DIMENSIONS

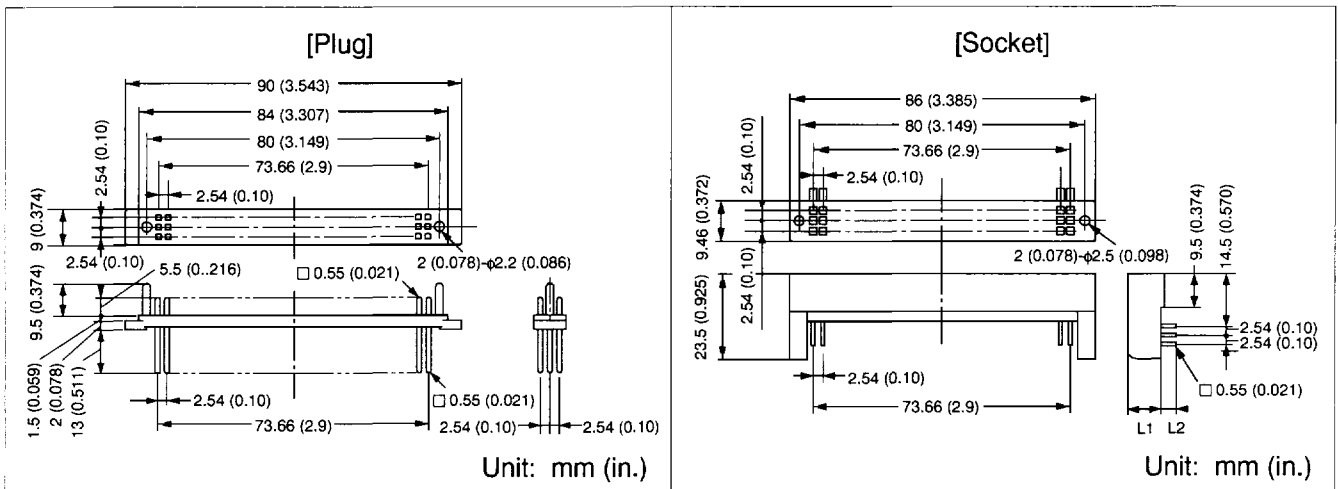
1. 82 Series Connector (60 Contacts)



2. 82 Series Connector (88 Contacts)

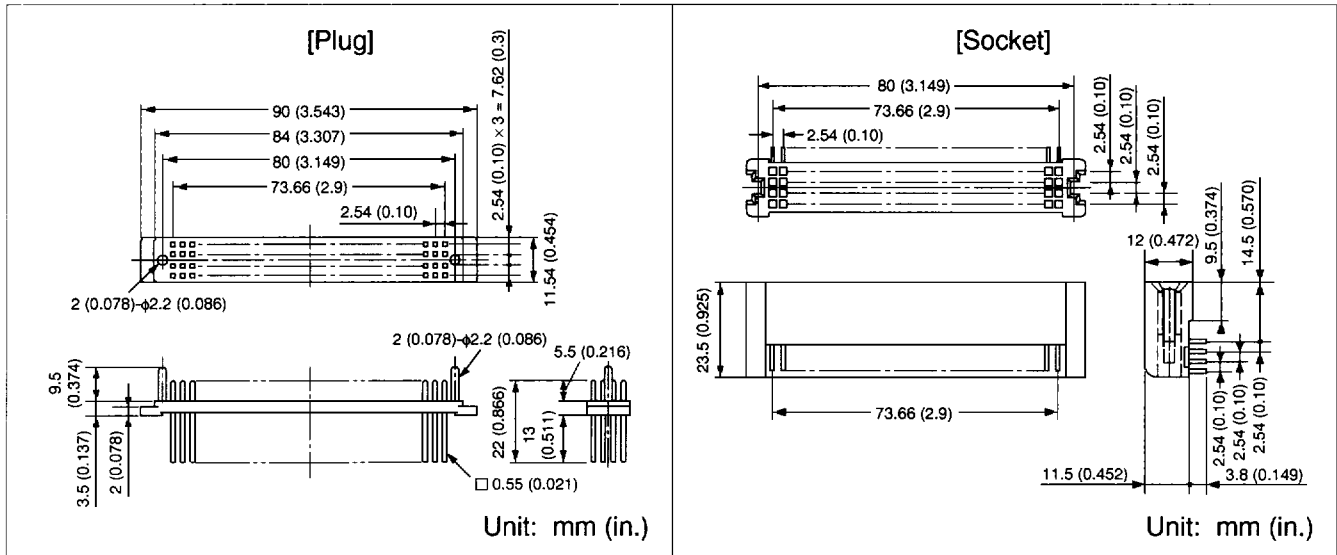


3. 83 Series Connector (90 Contacts)



FCN-82/83 Series

4. 83 series connector (120 contacts)



■ PART NUMBERS AND DIMENSIONS

Number of contacts		Part number	Dimensions: mm (in.)	
			L	
60	Plug	C630-5200-T002	13 (0.511)	
	Socket	C630-5200-T003	4 (0.157)	
88	Plug	C630-5200-T012	13 (0.511)	
	Socket	C630-5200-T011	—	

Number of contacts		Part number	Dimensions: mm (in.)	
			L ₁	L ₂
90	Plug	C630-5210-T012	—	—
	Socket	C630-5210-T002	8.96 (0.352)	3.8 (0.149)
		C630-5210-T102	9.56 (0.376)	3.2 (0.125)
120	Plug	C630-5210-T011	—	—
	Socket	C630-5210-T001	—	—

A special model, C630-5210-T101, is also available.