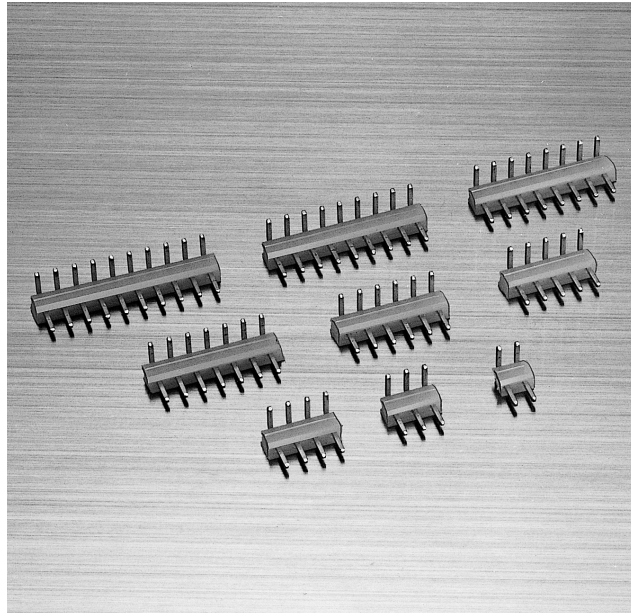
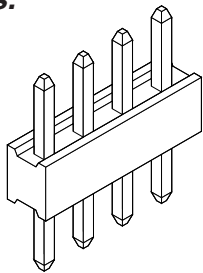


BC HEADER

Headers



Measuring 2.0mm in pitch, this compact header is designed for direct board-to-board connection. Available in two types: the top entry type and the side entry type. In addition to the BC header, JST also offers the SB header having 2.5mm and 2.54mm pitches. Only the standard specifications are listed in this catalog. Contact JST for special specifications.



Specifications

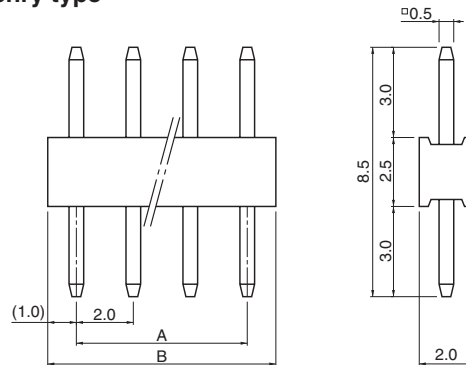
- Temperature range: -25°C to +85°C (including temperature rise in applying electrical current)
- Material and finish: Post/Brass, copper-undercoated, tin-plated (reflow treatment)
Wafer/PA 66, UL94V-0
- Applicable PC board thickness: 1.6mm
- * Compliant with RoHS.
- * Refer to "General Instruction and Notice when using Terminals and Connectors" at the end of this catalog.
- * Contact JST for details.

Standards

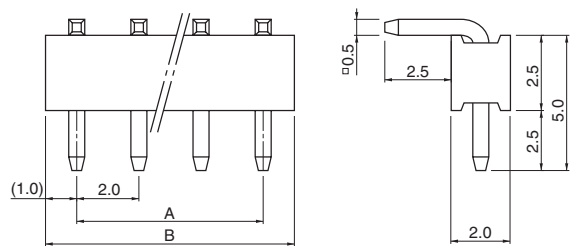
Recognized E60389

Header

Top entry type



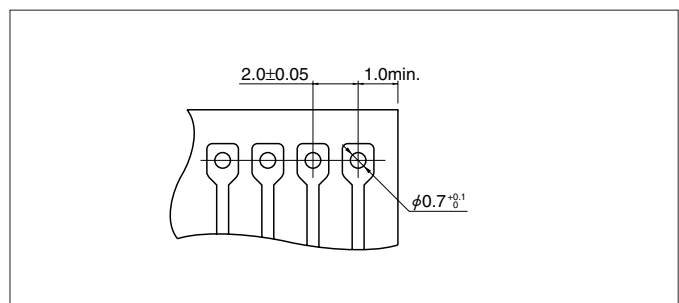
Side entry type



Circuits	Model No.		Dimensions (mm)	
	Top entry type	Side entry type	A	B
2	B 2P-BC-2	B 2PS-BC-1	2.0	4.0
3	B 3P-BC-2	B 3PS-BC-1	4.0	6.0
4	B 4P-BC-2	B 4PS-BC-1	6.0	8.0
5	B 5P-BC-2	B 5PS-BC-1	8.0	10.0
6	B 6P-BC-2	B 6PS-BC-1	10.0	12.0
7	B 7P-BC-2	B 7PS-BC-1	12.0	14.0
8	B 8P-BC-2	B 8PS-BC-1	14.0	16.0
9	B 9P-BC-2	B 9PS-BC-1	16.0	18.0
10	B10P-BC-2	B10PS-BC-1	18.0	20.0

RoHS compliance This product displays (LF)(SN) on a label.

PC board layout (viewed from soldering side)



Note:

1. Tolerances are non-cumulative: ±0.05mm for all centers.
2. Hole dimensions differ according to the kind of PC board and piercing method. The dimensions above should serve as a guideline. Contact JST for details.