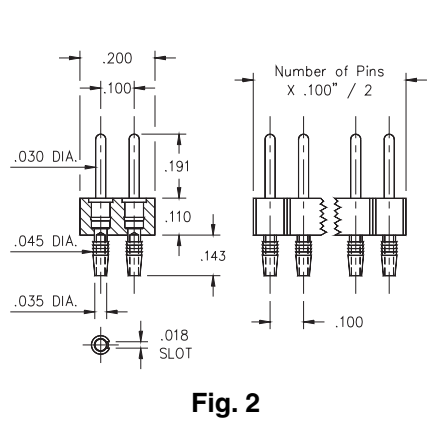


- The unique compliant tail pins conform to .040" ±.003 finished hole without stressing inner layers.
- Pin headers are offered in two tail lengths for .060"-.100" (M-M# 5601) and .090"-.130" (M-M# 5602) thick panels. (See page 178 for details)
- Sockets use Hi-Rel, six-finger clips which accept .030" dia. pins and also .025" square pins. (M-M# 4614 or 4615). (See page 147 for details)



Ordering Information

Fig. 1	Compliant Tail Pin Header for .060 - .100" thick boards	
	802-XX-0 __ -61-001	Specify # of pins → 02-64
Fig. 2	Compliant Tail Pin Header for .090 - .130" thick boards	
	802-XX-0 __ -62-001	Specify # of pins → 02-64

XX=
Plating Code See Below

SPECIFY PLATING CODE XX=	10	90		
Pin Plating	10μ" Au	200μ" Sn/Pb		

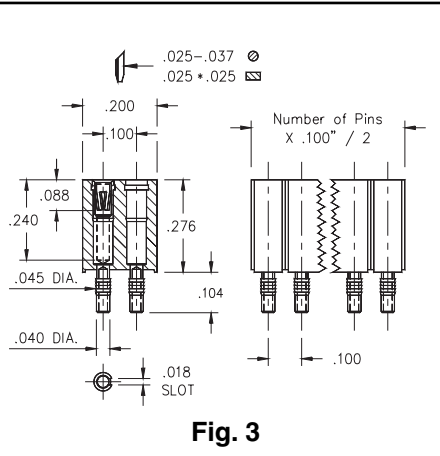


Fig. 3	Compliant Tail Socket for .060 - .100" thick boards	
	803-XX-__ -61-001	Specify # of pins → 002-100

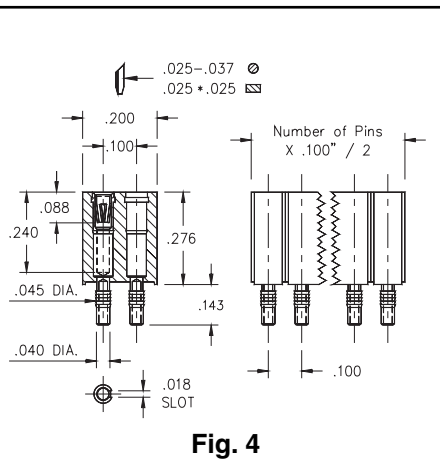


Fig. 4	Compliant Tail Socket for .090 - .130" thick boards	
	803-XX-__ -62-001	Specify # of pins → 002-100

XX=
Plating Code See Below

SPECIFY PLATING CODE XX=		93	99
Sleeve (Pin)		200μ" Sn/Pb	200μ" Sn/Pb
Contact (Clip)		30μ" Au	200μ" Sn/Pb