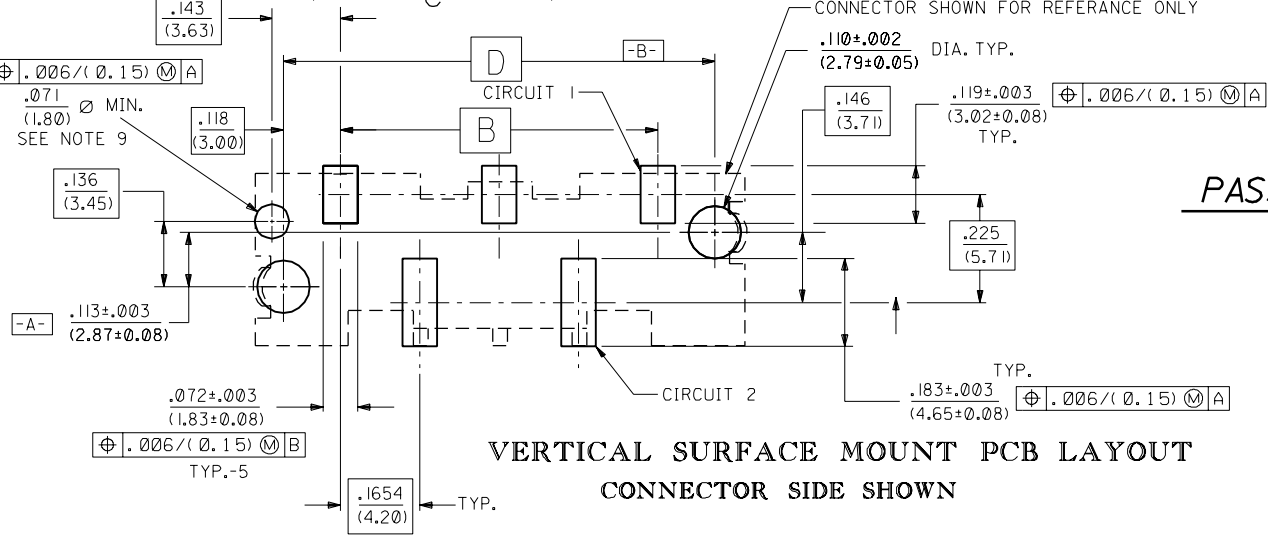
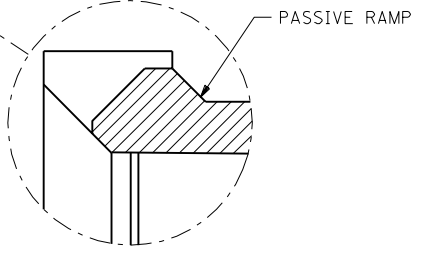
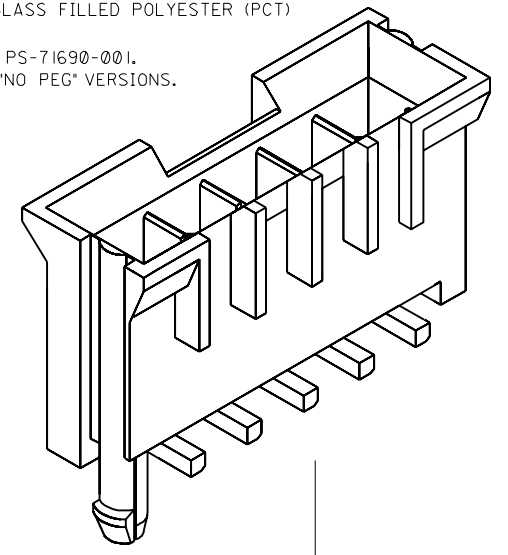
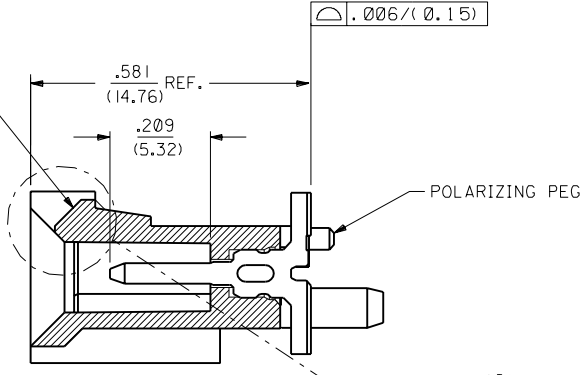
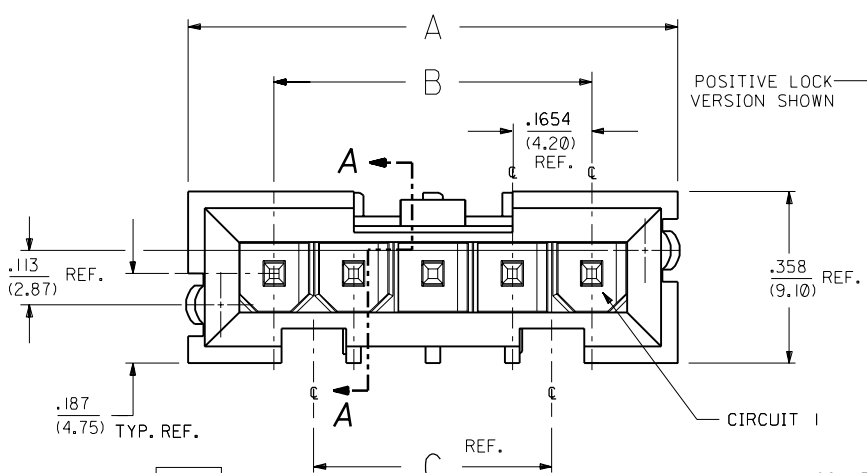


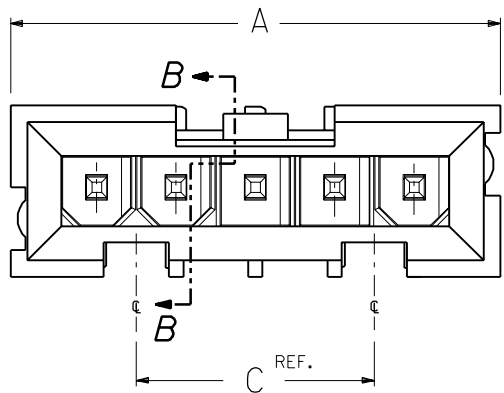
- NOTES:**
1. ASSEMBLY NO. 71233-0007 SHOWN FOR ILLUSTRATION.
  2. MATES WITH PART NO. 71694-\*\*\*\* AND 5557-\*
  3. SEE FOLLOWING PAGES FOR PART NOS. & CONFIGURATIONS.
  4. PLATINGS (PER SDES-88):
    - (164) .000150/(0.0038) MIN. TIN/LEAD OVERALL, OVER .000050/(0.00127) MIN. NICKEL OVERALL.
    - (569) .000030/(0.00076) MIN. SELECT GOLD AND .000100/(0.00254) MIN. SELECT TIN/LEAD OVER .000050/(0.00130) MIN. NICKEL OVERALL.
    - (578) .000015/(0.00038) MIN. SELECT GOLD AND .000150/(0.0038) MIN. SELECT TIN/LEAD OVER .000050/(0.00130) MIN. NICKEL OVERALL.
  5. ITEM NO'S PRECEDED BY AN 'X' IN THE CHARTS ARE NOT AVAILABLE.
  6. HOUSING MATERIAL: HIGH TEMP. 94V-0 GLASS FILLED POLYESTER (PCT)
  7. PIN MATERIAL: BRASS.
  8. PART CONFORMS TO SPECIFICATION NO. PS-71690-001.
  9. THIS HOLE IS NOT REQUIRED FOR THE 'NO PEG' VERSIONS.
  10. PACKAGE PER PK-71232-0000.



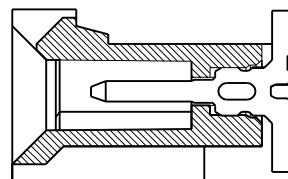
H	REVISED PCB LAYOUT ECR UDT2000-1113 KMS 5/17/2000
G	REV/ADD PLATINGS PER ECR U60547 11/07/95 sas
F	REV PEGS PER ECR U50189 08/11/95 sas
E	ADD NOTE 9 PER ECR U50939 04/24/95 sas
D	REV VIEW/PCB PER ECR U50607 01/26/95 sas
C	REC CKT PLATING INDICATOR U50005 08/02/94 MURPHY

4	G	REVISE DWG ECR U40711 6/27/94 sas
3	G	
2	H	FINAL RELEASE PER ECR U50897 4/15/94 sas
1	H	

DIMENSIONS SHOWN (METRIC) INCH UNLESS OTHERWISE SPECIFIED TOLERANCES ANGULAR ± 1/2°		TITLE SINGLE ROW MINI-FIT HEADER BLIND MATE, VERTICAL, SMT SALES ASSEMBLY	
3 PLACE ± .010	INCH	MOLEX INCORPORATED	DATE
2 PLACE ± .015 ± 0.38	METRIC	L1SLE.JLL 60532	1 OF 4 07/19/93
1 PLACE --- ± ---		DRWG. NO.	
DRAFT WHERE APPLICABLE MUST REMAIN WITHIN DIMENSIONS		SEE CHART	SDA-71232-****
DRWG. BY: RWB	CHK'D BY: PAR	FILE NAME: 571232P1	DIV. 512E
APP'D BY: FAH	SCALE: 5: 1	THIS DRAWING CONTAINS INFORMATION THAT IS PROPRIETARY TO MOLEX INC. AND SHOULD NOT BE USED WITHOUT WRITTEN PERMISSION.	



SEE SHEET 1 FOR ALL OTHER INFORMATION



SECTION B-B

NO PEG OPTION

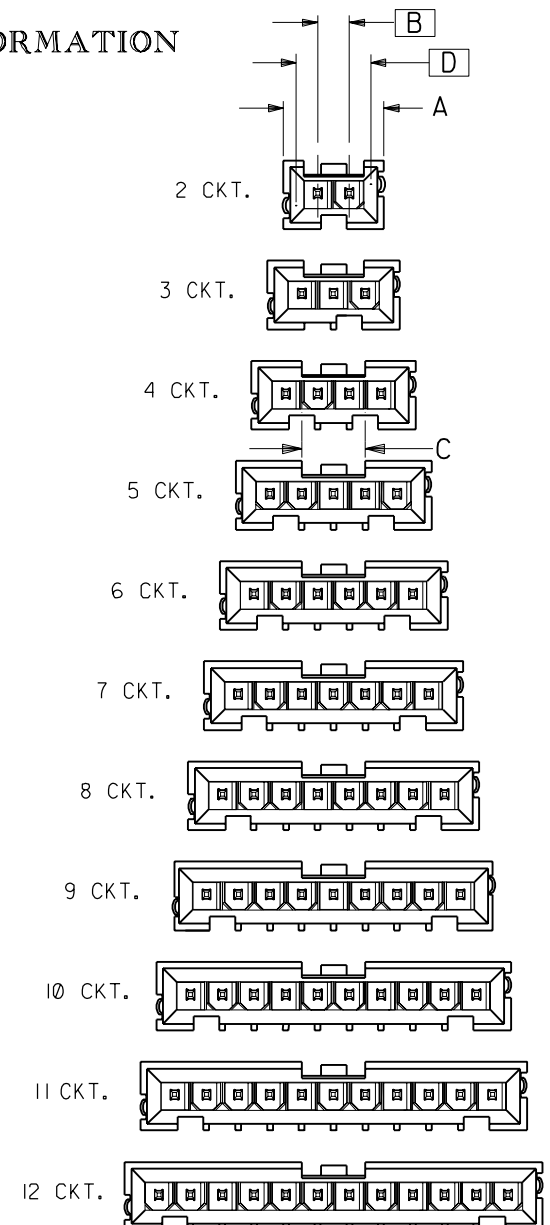
OVERALL DIMENSIONS

ASSEMBLIES WITH PEGS

SIZE	DIM. "A"		DIM. "B" BASIC		DIM. "C" REF.		DIM. "D" BASIC	
	INCH	(MM)	INCH	(MM)	INCH	(MM)	INCH	(MM)
2	0.524	(13.31)	0.1654	(4.200)	N/A	N/A	.403	(10.24)
3	0.689	(17.51)	0.3307	(8.400)	N/A	N/A	.569	(14.44)
4	0.855	(21.71)	0.4961	(12.600)	0.330	(8.40)	.734	(18.64)
5	1.020	(25.91)	0.6614	(16.800)	0.496	(12.60)	.899	(22.84)
6	1.185	(30.11)	0.8268	(21.000)	0.661	(16.80)	1.064	(27.04)
7	1.351	(34.31)	0.9921	(25.200)	0.826	(21.00)	1.230	(31.24)
8	1.516	(38.51)	1.1575	(29.400)	0.992	(25.20)	1.395	(35.44)
9	1.682	(42.71)	1.3228	(33.600)	1.157	(29.40)	1.561	(39.64)
10	1.847	(46.91)	1.4882	(37.800)	1.322	(33.60)	1.726	(43.84)
11	2.012	(51.11)	1.6535	(42.000)	1.488	(37.80)	1.891	(48.04)
12	2.177	(55.31)	1.8189	(46.200)	1.653	(42.00)	2.057	(52.24)

ASSEMBLIES WITHOUT PEGS

SIZE	DIM. "A"		DIM. "B" BASIC		DIM. "C" REF.	
	INCH	(MM)	INCH	(MM)	INCH	(MM)
2	0.524	(13.31)	0.1654	(4.200)	N/A	N/A
3	0.689	(17.51)	0.3307	(8.400)	N/A	N/A
4	0.855	(21.71)	0.4961	(12.600)	0.330	(8.40)
5	1.020	(25.91)	0.6614	(16.800)	0.496	(12.60)
6	1.185	(30.11)	0.8268	(21.000)	0.661	(16.80)
7	1.351	(34.31)	0.9921	(25.200)	0.826	(21.00)
8	1.516	(38.51)	1.1575	(29.400)	0.992	(25.20)
9	1.682	(42.71)	1.3228	(33.600)	1.157	(29.40)
10	1.847	(46.91)	1.4882	(37.800)	1.322	(33.60)
11	2.012	(51.11)	1.6535	(42.000)	1.488	(37.80)
12	2.177	(55.31)	1.8189	(46.200)	1.653	(42.00)



VERTICAL CONFIGURATIONS

H SEE SHEET 1		DIMENSIONS SHOWN (METRIC) INCH		REVISE ONLY ON CAD SYSTEM	
F SEE SHEET 1		UNLESS OTHERWISE SPECIFIED TOLERANCES ANGULAR 1/2°		TITLE	
E SEE SHEET 1		INCH METRIC		SINGLE ROW MINI-FIT HEADER	
D SEE SHEET 1		3 PLACE ± .010 ---		BLIND MATE, VERTICAL, SMT,	
C SEE SHEET 1		2 PLACE ± .015 ± 0.38		SALES ASSEMBLY	
B SEE SHEET 1		1 PLACE --- ± ---		MOLEX INCORPORATED SHEET NO. DATE	
A SEE SHEET 1		DRAFT WHERE APPLICABLE MUST REMAIN WITHIN DIMENSIONS		L15LEJLL 69532 U.S.A. 2 08/02/93	
LTR. REVISIONS		DRWG. NO. SDA-71232-*****		PART NO. DRWG. NO.	
LTR. REVISIONS		DRWG. BY: RWB CHK'D BY: PAR		FILE NAME: 571232P2	
LTR. REVISIONS		APP'D BY: FAH SCALE: 5: 1		MOLEX INC. AND SHOULD NOT BE USED WITHOUT WRITTEN PERMISSION	

# HOUSINGS WITH PEGS

# HOUSINGS WITHOUT PEGS

SIZE	STAT	ASSEMBLY ITEM NUMBER	PLATING STYLE	LOCKING OPTION
2		71232-0401	578	POSITIVE
2		71232-0402	578	PASSIVE
3		71232-0403	578	POSITIVE
3		71232-0404	578	PASSIVE
4		71232-0405	578	POSITIVE
4		71232-0406	578	PASSIVE
5		71232-0407	578	POSITIVE
5		71232-0408	578	PASSIVE
6		71232-0409	578	POSITIVE
6		71232-0410	578	PASSIVE
7		71232-0411	578	POSITIVE
7		71232-0412	578	PASSIVE
8		71232-0413	578	POSITIVE
8		71232-0414	578	PASSIVE
9		71232-0415	578	POSITIVE
9		71232-0416	578	PASSIVE
10		71232-0417	578	POSITIVE
10		71232-0418	578	PASSIVE
11		71232-0419	578	POSITIVE
11		71232-0420	578	PASSIVE
12		71232-0421	578	POSITIVE
12		71232-0422	578	PASSIVE

SIZE	STAT	ASSEMBLY ITEM NUMBER	PLATING STYLE	LOCKING OPTION
2		71232-0501	578	POSITIVE
2		71232-0502	578	PASSIVE
3		71232-0503	578	POSITIVE
3		71232-0504	578	PASSIVE
4		71232-0505	578	POSITIVE
4		71232-0506	578	PASSIVE
5		71232-0507	578	POSITIVE
5		71232-0508	578	PASSIVE
6		71232-0509	578	POSITIVE
6		71232-0510	578	PASSIVE
7		71232-0511	578	POSITIVE
7		71232-0512	578	PASSIVE
8		71232-0513	578	POSITIVE
8		71232-0514	578	PASSIVE
9		71232-0515	578	POSITIVE
9		71232-0516	578	PASSIVE
10		71232-0517	578	POSITIVE
10		71232-0518	578	PASSIVE
11		71232-0519	578	POSITIVE
11		71232-0520	578	PASSIVE
12		71232-0521	578	POSITIVE
12		71232-0522	578	PASSIVE

71232

DIMENSIONS SHOWN (METRIC) INCH  
UNLESS OTHERWISE SPECIFIED  
TOLERANCES ANGULAR ± 1/2°

	INCH	METRIC
3 PLACE	± ---	---
2 PLACE	± ---	± ---
1 PLACE	---	± ---

DRAFT WHERE APPLICABLE MUST REMAIN WITHIN DIMENSIONS

DRWG. BY: RWB CHK'D. BY: PAR  
APP'D. BY: FAH SCALE: ;

REVISE ONLY ON CAD SYSTEM

TITLE: SINGLE ROW MINI-FIT HEADER  
BLIND MATE, VERTICAL, SMT,  
SALES ASSEMBLY

MOLEX INCORPORATED U.S.A.  
L15LE.ILL. 69532

PART NO. SHEET NO. DATE  
SDA-71232-4 4 11/07/95

SEE CHART SDA-71232-\*\*\*\*\*

THIS DRAWING CONTAINS INFORMATION THAT IS PROPRIETARY TO MOLEX INC. AND SHOULD NOT BE USED WITHOUT WRITTEN PERMISSION.

LTR.	REVISIONS	LTR.	REVISIONS
		G	SEE SHEET 1