

PRODUCT NO.

61729

PRODUCT NUMBER CODE

61729- X 0 X X P S LF

BASE PRODUCT NUMBER

HOUSING COLOR OPTION

0 - WHITE  
1 - BLACK

SHIELD OPTION

1 - FULL BACK  
2 - PARTIAL BACK  
S - FULL BACK (SPECIAL MATERIAL FOR 12,000 DURABILITY CYCLES)  
P - PARTIAL BACK (SPECIAL MATERIAL FOR 12,000 DURABILITY CYCLES)

TERMINAL PLATING OPTION

0 - 50u" NI UNDERPLATED  
30U" GXT CONTACT AREA  
100u" PURE TIN TAIL AREA  
1 - 50u" NI UNDERPLATED  
30U" GOLD CONTACT AREA  
100u" PURE TIN TAIL AREA

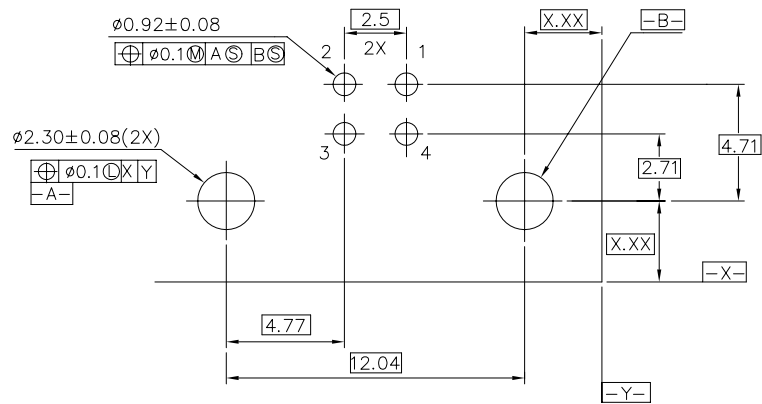
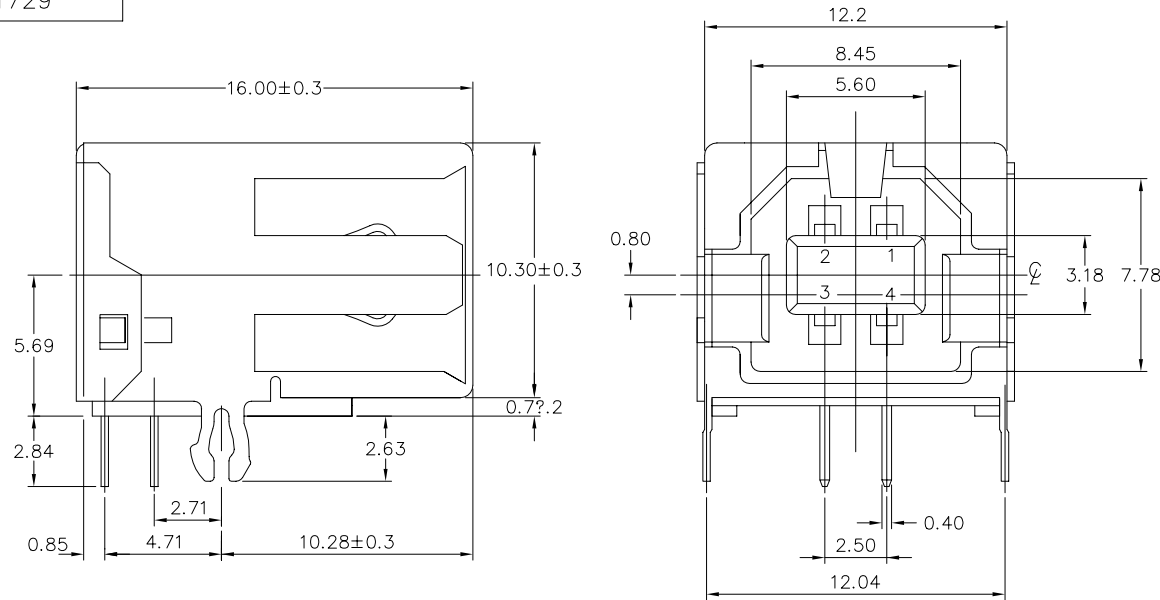
PACKAGING OPTION

B-TUBES  
R-TAPE & REEL

DATE CODE OPTION

ONLY FOR PANASONIC

LEAD FREE OPTION



P.C. BOARD LAYOUT

mat'l. code			tolerances unless otherwise specified		CUSTOMER COPY	FCJ		www.fciconnect.com		
ltr	ecn no	dr	date	linear	.0 ± 0.30	projection	title			
S	N05-0242	PH	08/22/05		.00 ± 0.20		USB RECEPTACLE B TYPE			
T	N06-0103	HB	04/15/06		.000 ± 0.10					
U	N08-0238	R.B	2008/11/03	angles	± 2°	MM/INCH ←→ scale 4 : 1 A3	product family USB		code	
V	N08-0264	R.B	2008/12/08	dr	SHIRLEY HSU 03/03/97		size		dwg no	sheet
				enr	R Y LIU 03/03/97		61729		1 of 2	
				chr	R Y LIU 03/03/97					
				appd	JENN TSAO 03/03/97					
sheet index	revision sheet									

PDM: Rev:V

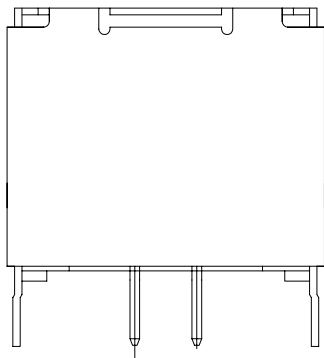
STATUS: Released

Printed: Jul 28, 2010

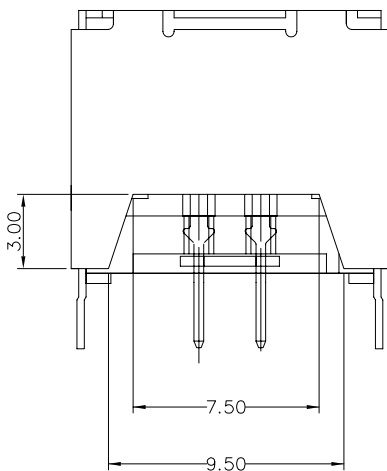
6

PRODUCT NO.

61729



TYPE "1" FULL BACK



TYPE "2" PARTIAL BACK

NOTES:

- MATERIAL:  
SHIELD & CONTACTS: COPPER ALLOY  
HOUSING: UL 94V-0 THERMOPLASTIC. COLOR: SEE PRODUCT NUMBER CODE.
- PLATING: SEE PRODUCT NUMBER CODE.  
SHIELD: BRIGHT TIN  
NICKEL UNDERPLATE.
- DATUMS & BASIC DIMENSIONS TO BE DETERMINED BY CUSTOMER
- RECOMMENDED BOARD THICKNESS IS 1.57 mm (.062)
- PACKING STANDARD GS-14-920 WILL BE APPLIED FOR LEAD FREE P/N'S
- FOR LEAD FREE P/N, THE PRODUCT MEET EUROPEAN UNION DIRECTIVES AND OTHER COUNTRY REGULATION AS DESCRIBED IN GS-22-008
- FOR LEAD FREE P/N'S, THE HOUSING WILL WITHSTAND EXPOSURE TO 260°C PEAK TEMPERATURE FOR 40 SECONDS IN A CONVECTION, INFRO-RED OR VAPOR PHASE REFLOW OVEN.
- THE PART CAN BE USED FOR PIP PROCESS.

mat'l. code				tolerances unless otherwise specified		CUSTOMER COPY		 www.fciconnect.com	
ltr	ecn no	dr	date	linear	.0 ± 0.20	projection	title		
v					.00 ± 0.10		USB RECEPTACLE B TYPE		
					.000 ± 0.05				
				angles	± 2°	 MM/INCH ← → scale 5 : 1 A3	product family USB		code
		dr	SHIRLEY HSU	03/03/97	size		61729	sheet	
		enr	R Y LIU	03/03/97	dwg no		61729	2 of 2	
		chr	R Y LIU	03/03/97					
		appd	JENN TSAO	03/03/97					
sheet	revision								
index	sheet								

All rights are reserved. Reproduction or use in third parties is not permitted without written authority from the proprietor.  
 Copyright © 2010 FCJ ELECTRONICS BY  
 FCJ ELECTRONICS

All rights are reserved. Reproduction or use in third parties is not permitted without written authority from the proprietor.  
 Copyright © 2010 FCJ ELECTRONICS BY  
 FCJ ELECTRONICS

All rights are reserved. Reproduction or use in third parties is not permitted without written authority from the proprietor.  
 Copyright © 2010 FCJ ELECTRONICS BY  
 FCJ ELECTRONICS

Tous droits réservés. Toute réimpression ou communication à des tiers sans autorisation écrite du propriétaire.  
 Copyright © 2010 FCJ ELECTRONICS BY  
 FCJ ELECTRONICS