

93.8	88.9	87.5	85.3	78.74	53319-064*	64
76.02	71.12	69.72	67.52	60.96	-050*	50
68.4	63.5	62.1	59.9	53.34	-044*	44
53.16	48.26	46.86	44.66	38.1	-032*	32
45.54	40.64	39.24	37.04	30.48	-026*	26
37.92	33.02	31.62	29.42	22.86	-020*	20
32.84	27.94	26.54	24.34	17.78	-016*	16
25.22	20.32	18.92	16.72	10.16	53319-010*	10
E	D	C	B	A	ENG. NO.	極致 CIRCUI T

注記 NOTES

I. 材質 MATERIAL

ヘッダー : ガラス入り P.B.T.P (白色), UL94V-0
 HEADER : GLASS FILLED PBTP (WHITE), UL94V-0

ピン : 黄銅 (t=0.58)
 PIN : BRASS (t=0.58)

金属ペグ : リン青銅、銅下地半田メッキ (t=0.48)
 METAL PEG : PHOSPHOR BRONZE (t=0.48), TIN-LEAD OVER COPPER PLATING

メッキ仕様及び仕様番号 PLATING AND PLATING INDICATION NUMBER

53319-***3	0.76	1.0	1.0	3
53319-***2	0.5			2
53319-***1	0.3			1
53319-***0	0.1			0
ENG. NO.	接点部 金メッキ [µm以上]	半田付け部 半田メッキ [µm以上]	下地メッキ ニッケルメッキ [µm以上]	メッキ 仕様番号 PLATING INDICATION NUMBER
	CONTACT AREA GOLD PLATING [µmMIN.]	SOLDER AREA TIN-LEAD PLATING [µmMIN.]	UNDER PLATE NICKEL PLATING [µmMIN.]	

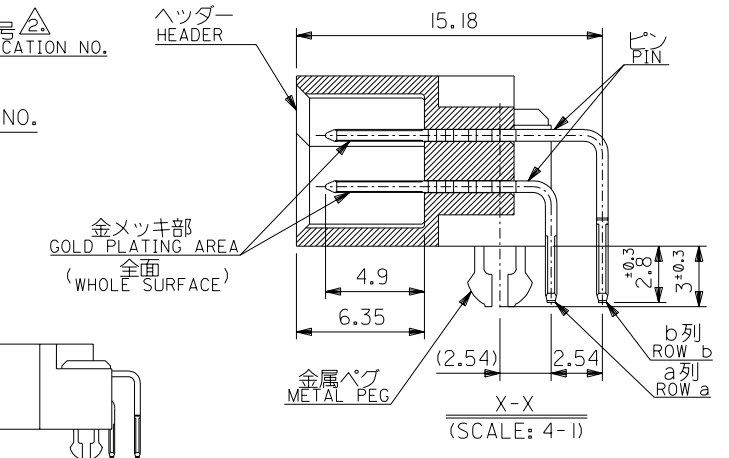
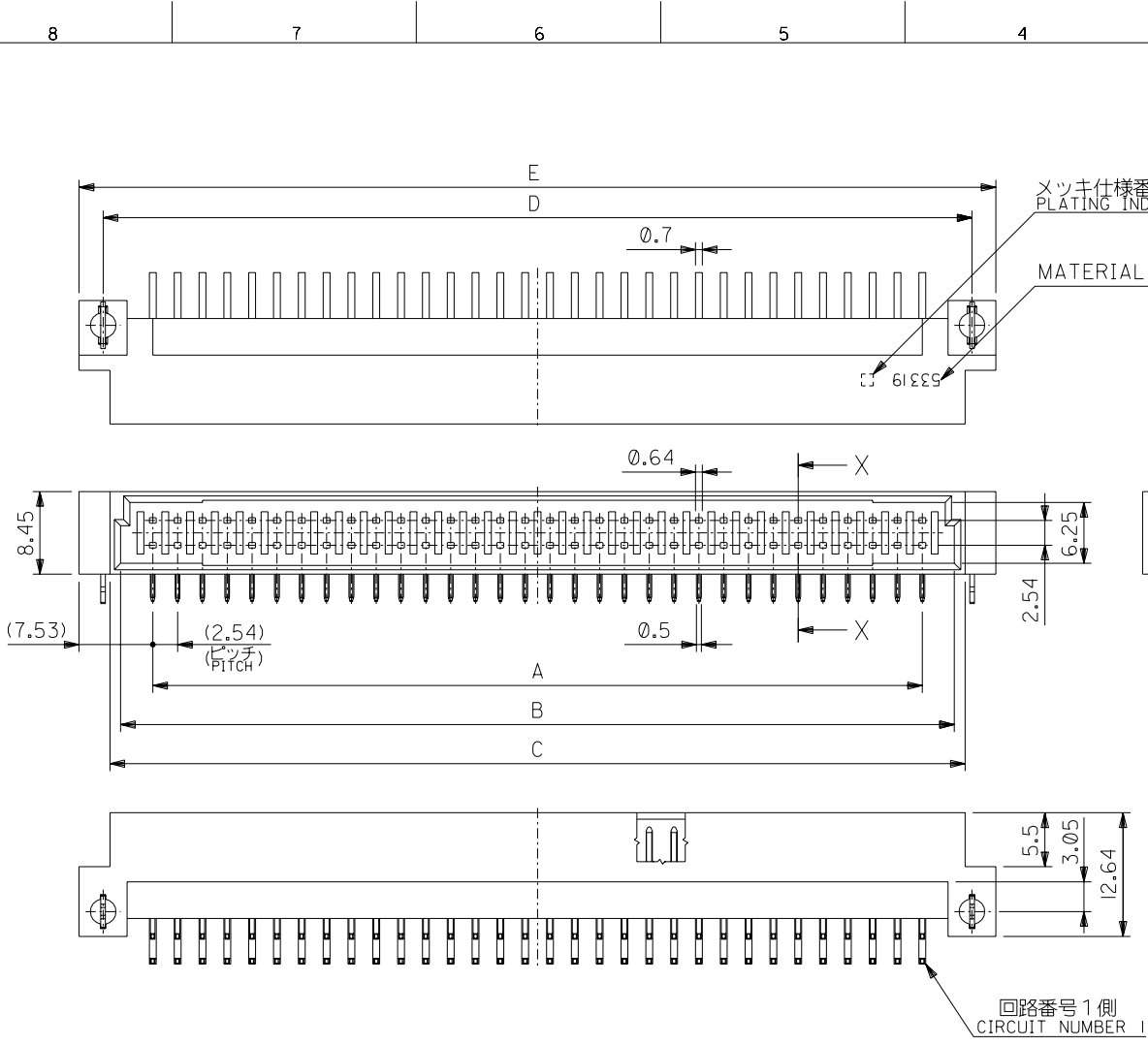
3. 嵌合相手: 52299, 52385, 52479, 52482 シリーズ
 MATES WITH : 52299, 52385, 52479, 52482 SERIES

角度 ANGLE	±3°	変更 REVISI O N (T50020)	S.M.S.	95/01/13
30°以上 OVER	+0.3	変更 REVISI O N (J10956)	H.H.	91/11/07
10°以上 OVER 30° UNDER	+0.25	変更 REVISI O N (J01197)	H.H.	91/02/28
10° UNDER	+0.2	新規作成 RELEASED (J00922)	S.M.	90/08/27
一般公差 GENERAL TOLERANCES	0	変更内容 REVISI O N RECORD	DR. CHK.	日付 DATE

材料 MATERIAL	注記参照 SEE NOTES
仕上げ FINISH	注記参照 SEE NOTES
適用電線範囲 WIRE RANGE	—
被覆外径 INS. RANGE	—
DRAWN BY 90/8/27 CHK'D BY S.MOCHIZUKI	H. Saito
APP'D BY 90/8/27	尺度 SCALE 2 - 1

molex MOLEX-JAPAN CO.,LTD. 日本モレックス株式会社	
REVISE ONLY ON CAD SYSTEM	
TITLE 名称 2.54 B TO B CONN. RIGHT ANGLE HEADER ASS'Y WITH METAL PEG (DUAL ROW)	
DWG. NO. SD-53319-****	REV D

DWG. NO. SD-53319-001



無鉛
LEAD FREE

93.8	88.9	87.5	85.3	78.74	53319-0645	64
76.02	71.12	69.72	67.52	60.96	-0505	50
68.4	63.5	62.1	59.9	53.34	-0445	44
53.16	48.26	46.86	44.66	38.1	-0325	32
45.54	40.64	39.24	37.04	30.48	-0265	26
37.92	33.02	31.62	29.42	22.86	-0205	20
32.84	27.94	26.54	24.34	17.78	-0165	16
25.22	20.32	18.92	16.72	10.16	53319-0105	10
E	D	C	B	A	MATERIAL NO.	極数 CIRCUIT

DO NOT SCALE DRAWING

EC NO. DRWN: CHK: APPR:	EC NO. DRWN: CHK: APPR:	EC NO. DRWN: CHK: APPR:	EC NO. DRWN: CHK: APPR:	EC NO. DRWN: CHK: APPR:	RELEASED ECN NO. J2003-1441 DRWN: K. AKUTSU '02/11/28 CHK: K. KASAHARA '02/11/28 APPR: T. YAMAGUCHI '02/11/28	MATERIAL 材料 注記参照 SEE NOTES	GENERAL TOLERANCES: (UNLESS SPECIFIED) 一般公差	SCALE 2-1	DESIGN UNITS mm INCH	THIRD ANGLE PROJECTION	TITLE: 2.54 B TO B CONN. RIGHT ANGLE HEADER ASS'Y WITH METAL PEG (DUAL ROW)	DIMENSIONS: mm INCH mm ONLY	SHT REV	REVISE ON CAD ONLY
						FINISH 仕上げ 注記参照 SEE NOTES	10 UNDER 未満	±0.2	DRAWN BY & DATE K. AKUTSU '02/11/28					
						WIRE RANGE 適用電線範囲	10 OVER 30 UNDER 未満	±0.25	CHECKED BY & DATE K. KASAHARA '02/11/28					
						INS. RANGE 被覆外径	30 OVER 以上	±0.3	APPROVED BY & DATE T. YAMAGUCHI '02/11/28					
							ANGLE 角度	±3°	CAD FILENAME SD-53319-001.S01	MATERIAL NO. SEE CHART	DRAWING NO. SD-53319-001	SHEET NO. 1 OF 2		
THIS DRAWING CONTAINS INFORMATION THAT IS PROPRIETARY TO MOLEX INCORPORATED AND SHOULD NOT BE USED WITHOUT WRITTEN PERMISSION.											SIZE B			