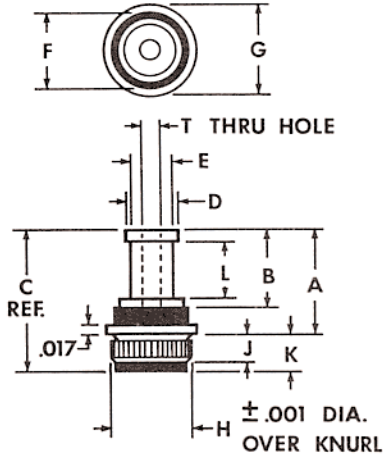




**EMC® Product "STS" Series**



Thru Hole

**Type 10**

**Plating:**

- 14: 400µ" Tin terminal, 200µ" Cadmium Chromate base/eyelet
- 4: 30µ" Gold terminal, 200µ" Cadmium Chromate base/eyelet
- 17: 400µ" Tin terminal, 200µ" Nickel base/eyelet
- 52: 400µ" Tin terminal, 200µ" Cadmium Chromate base/eyelet

**Material:**

Terminal: Brass, 1/2 hard, QQ-B-626  
 Base/Eyelet: Brass, 1/2hard, QQ-B-626  
 Insulator: Diallyl Phthalate, MIL-M-14F Type SDG

Type	EMC Part #	Flash-over volt.	A	B	C	D	E	F	G	H	J	K	L	T	Mtg. Hole Dia.	Mtg. tool
10	4666-14-1	1500	.190 (4.83)	.125 (3.18)	.235 (5.97)	.062 (1.57)	.040 (1.02)	.170 (4.32)	.198 (5.03)	.186 (4.72)	.045 (1.14)	.045 (1.14)	.108 (2.74)	.020 (.51)	.182 (4.62)	4624
10	4340-14-1	1500	.225 (5.72)	.125 (3.18)	.345 (8.76)	.075 (1.91)	.060 (1.52)	.156 (3.96)	.187 (4.75)	.160 (4.06)	.075 (1.91)	.120 (3.05)	.105 (2.67)	.030 (.76)	.156 (3.96)	4556
10	4658-14-1	1500	.250 (6.35)	.205 (5.21)	.310 (7.87)	.092 (2.34)	.080 (2.03)	.130 (3.30)	.155 (3.94)	.140 (3.56)	.045 (1.14)	.060 (1.52)	.170 (4.32)	.030 (.76)	.136 (3.45)	2873-3
10	2894-14-1	1000	.193 (4.90)	.148 (3.76)	.298 (7.57)	.094 (2.39)	.080 (2.03)	.130 (3.30)	.156 (3.96)	.140 (3.56)	.075 (1.91)	.105 (2.67)	.113 (2.87)	.059 (1.50)	.136 (3.45)	2873-3
10	2925-14-1	1500	.171 (4.34)	.126 (3.20)	.276 (7.01)	.093 (2.36)	.060 (1.52)	.130 (3.30)	.156 (3.96)	.140 (3.56)	.075 (1.91)	.105 (2.67)	.091 (2.31)	.030 (.76)	.136 (3.45)	2873-3
10	3082-14-1	1500	.192 (4.88)	.147 (3.73)	.254 (6.45)	.078 (1.98)	.054 (1.37)	.130 (3.30)	.156 (3.96)	.140 (3.56)	.045 (1.14)	.060 (1.52)	.108 (2.74)	.020 (.51)	.136 (3.45)	2873-2
10	3009-14-1	1000	.192 (4.88)	.139 (3.53)	.254 (6.45)	.093 (2.36)	.080 (2.03)	.130 (3.30)	.156 (3.96)	.140 (3.56)	.046 (1.17)	.062 (1.57)	.113 (2.87)	.059 (1.50)	.136 (3.45)	2873-3
10	2926-14-1	1500	.171 (4.34)	.126 (3.20)	.246 (6.25)	.093 (2.36)	.060 (1.52)	.130 (3.30)	.156 (3.96)	.140 (3.56)	.060 (1.52)	.075 (1.91)	.091 (2.31)	.030 (.76)	.136 (3.45)	2873-3
10	4193-14-1	1500	.172 (4.37)	.127 (3.23)	.232 (5.89)	.093 (2.36)	.060 (1.52)	.130 (3.30)	.156 (3.96)	.140 (3.56)	.045 (1.14)	.060 (1.52)	.095 (2.41)	.030 (.76)	.136 (3.45)	2873-3
10	2927-14-1	1500	.171 (4.34)	.126 (3.20)	.231 (5.87)	.093 (2.36)	.060 (1.52)	.130 (3.30)	.156 (3.96)	.140 (3.56)	.045 (1.14)	.060 (1.52)	.091 (2.31)	.030 (.76)	.136 (3.45)	2873-3
10	3097-14-1	1500	.150 (3.81)	.105 (2.67)	.225 (5.72)	.093 (2.36)	.045 (1.14)	.130 (3.30)	.156 (3.96)	.140 (3.56)	.060 (1.52)	.075 (1.91)	.073 (1.85)	.021 (.53)	.136 (3.45)	2873-3
10	5147-14-1	1300	.170 (4.32)	.125 (3.18)	.220 (5.59)	.093 (2.36)	.060 (1.52)	.130 (3.30)	.156 (3.96)	.140 (3.56)	.045 (1.14)	.050 (1.27)	.108 (2.74)	.033 (.84)	.136 (3.45)	2873-3
10	4479-14-1	1300	.170 (4.32)	.125 (3.18)	.217 (5.51)	.093 (2.36)	.060 (1.52)	.130 (3.30)	.156 (3.96)	.140 (3.56)	.045 (1.14)	.050 (1.27)	.108 (2.74)	.023 (.58)	.136 (3.45)	2873-3
10	3410-14-1	1500	.150 (3.81)	.105 (2.67)	.210 (5.33)	.070 (1.78)	.045 (1.14)	.130 (3.30)	.155 (3.94)	.140 (3.56)	.045 (1.14)	.060 (1.52)	.073 (1.85)	.026 (.66)	.136 (3.45)	2873-1
10	4536-14-1	1500	.125 (3.18)	.080 (2.03)	.200 (5.08)	.092 (2.34)	.075 (1.91)	.130 (3.30)	.156 (3.96)	.140 (3.56)	.060 (1.52)	.075 (1.91)	.048 (1.22)	.025 (.64)	.136 (3.45)	2873-3
10	5047-14-1	1300	.120 (3.05)	.077 (1.96)	.180 (4.57)	.083 (2.11)	.060 (1.52)	.130 (3.30)	.156 (3.96)	.140 (3.56)	.045 (1.14)	.060 (1.52)	.060 (1.52)	.031 (.79)	.136 (3.45)	2873-2
10	2930-14-1	1500	.115 (2.92)	.070 (1.78)	.175 (4.45)	.083 (2.11)	.054 (1.37)	.130 (3.30)	.156 (3.96)	.140 (3.56)	.045 (1.14)	.060 (1.52)	.038 (.97)	.025 (.64)	.136 (3.45)	2873-2
10	4487-14-1	1300	.080 (2.03)	.035 (.89)	.130 (3.30)	.093 (2.36)	.060 (1.52)	.130 (3.30)	.156 (3.96)	.140 (3.56)	.045 (1.14)	.050 (1.27)	.020 (.51)	.023 (.58)	.136 (3.45)	2873-3
10	4547-14-1	750	.160 (4.06)	.105 (2.67)	.250 (6.35)	.052 (1.32)	.040 (1.02)	.080 (2.03)	.098 (2.49)	.090 (2.29)	.060 (1.52)	.090 (2.29)	.075 (1.91)	.023 (.58)	.086 (2.18)	4126
10	4943-14-1	750	.160 (4.06)	.105 (2.67)	.235 (6.35)	.052 (1.32)	.040 (1.02)	.080 (2.03)	.098 (2.49)	.090 (2.29)	.060 (1.52)	.075 (1.91)	.075 (1.91)	.023 (.58)	.086 (2.18)	4126

inch  
(mm)