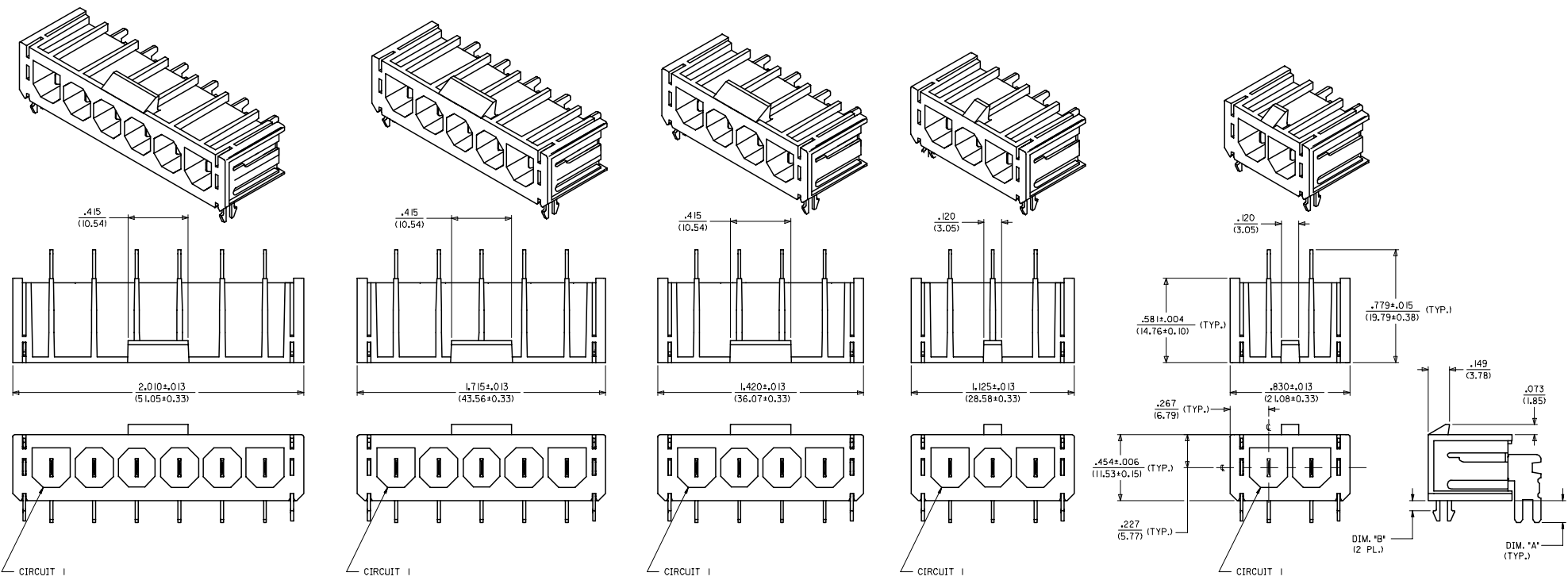


20 19 18 17 16 15 14 13 12 11 10 9 8 7 6 5 4 3 2 1

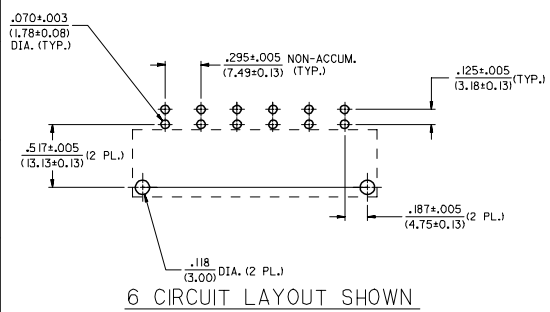
M
L
K
J
I
H
G
F

M
L
K
J
I
H
G
F



SEE SHEET 5 AND 6 FOR ITEM NUMBER CHART

RECOMMENDED P.C. BOARD LAYOUT FOR RIGHT ANGLE HEADERS
SCALE 2:1



6 CIRCUIT LAYOUT SHOWN

NOTES:

- INSULATOR MATERIAL (SEE CHART)
A = 30% GLASS-FILLED 46 NYLON, 94V-0, COLOR: BLACK
B = UNFILLED 66 NYLON, 94BV-2, COLOR: NATURAL (TRANSLUCENT)
NOTE: HEADER ASSEMBLIES IN 94V-2, 66 NYLON, ARE ONLY APPROVED FOR WAVE SOLDERING PROCESSES.
- TERMINAL MATERIAL: C26000 BRASS
TERMINAL FINISH: 35 MICRONCH (0.88 MICROMETER) MINIMUM TIN OVER 20 MICRONCH (0.50 MICROMETER) MINIMUM COPPER.
• THE PRIMARY SHIPPING CARTON WILL BE LABELED "COMPLIANT TO ROHS DIRECTIVE 2002/95/EC AND ELV ANNEX II OF DIRECTIVE 2000/53/EC." CARTONS WITHOUT THIS LABEL MAY CONTAIN PRODUCT WITH TIN-LEAD IN THE PC TAILS.
- PRODUCT SPECIFICATION: PSX-44441-9999.
- PACKAGING: SEE CHART.
- THESE HEADERS MATE WITH 43179, 43335, OR 44441 RECEPTACLE HOUSINGS.
- SEE SHEETS 1, 2, AND 3 FOR VERTICAL HEADER ASSEMBLIES AND THEIR RESPECTIVE PART NUMBERS.
- SEE SHEETS 4, 5 AND 6 FOR RIGHT ANGLE HEADER ASSEMBLIES AND THEIR RESPECTIVE PART NUMBERS.
- TERMINALS ARE ON .295/(7.49) CENTERLINE SPACING.
- DIMENSIONS ARE FOR REFERENCE ONLY UNLESS INDICATED OTHERWISE.
- WHERE APPLICABLE, A .048/(1.22) DIAMETER THRU HOLE, PER NEMA STANDARD DC2-1982, FOR THE PURPOSE OF LOCKING TO A MATING FEMALE TERMINAL.

SOLDER TAIL	DIM. "A" ±.01/(0.28)
SHORT	.150/(3.81)
LONG	.210/(5.33)

BOARD LOCK	DIM. "B" ±.004/(0.10)
.062	.070/(1.78)
.094	.102/(2.59)
.125	.133/(3.38)

SEE SHEET ONE E.C. NO. UCP2006-0200 DRAWN BY: JDRWLNSTENHART CHECKED BY: MFKRUBENRUS APPROVED BY: MFKRUBENRUS DATE: 2005/08/19 2005/08/22 2005/08/22	QUALITY SYMBOLS ▽=0 ▽=0	GENERAL TOLERANCES (UNLESS SPECIFIED) mm INCH 4 PLACES ±.005 ±.005 3 PLACES ±.010 ±.010 2 PLACES ±.015 ±.015 1 PLACE ±.025 ±.025 ANGULAR ±1/2°	DIMENSION STYLE IN/MM DRAWN BY: GC DATE: 11/30/95 CHECKED BY: KBP DATE: 11/30/95 APPROVED BY: RAS DATE: 11/30/95	SCALE: 3:1 DESIGN UNITS: INCH THIRD ANGLE PROJECTION	TITLE: SABRE HEADER ASSY RT. ANGLE, 2-6 & 8 CIR. .125/(3.18)X.020/(0.51) MOLEX INCORPORATED	MATERIAL NO. SDA-43160-**** DOCUMENT NO. SDA-43160-**** SHEET NO. 4 OF 6
	DRAFT WHERE APPLICABLE MUST REMAIN WITHIN DIMENSIONS			SEE CHART		THIS DRAWING CONTAINS INFORMATION THAT IS PROPRIETARY TO MOLEX INCORPORATED AND SHOULD NOT BE USED WITHOUT WRITTEN PERMISSION
	SEE CHART			SEE CHART		
	THIS DRAWING CONTAINS INFORMATION THAT IS PROPRIETARY TO MOLEX INCORPORATED AND SHOULD NOT BE USED WITHOUT WRITTEN PERMISSION					

1b_Frame 0_P_ME_T Rev. D 2004/GC/02 19 18 17 16 15 14 13 12 11 10 9 8 7 6 5 4 3 2 1

20		19		18		17		16		15		14		13		12		11		10		9		8		7		6		5		4		3		2		1																																																																																																																																																																																																																																																																																																																																																																																																																																																																																																																																																																																																																																																																																																																																																																																																																																		
M	RT. ANGLE HEADER ASSEMBLY ITEM NO.	PART CHARACTERISTICS FOR RIGHT ANGLE HEADER					PACKAGING SPECIFICATIONS	RT. ANGLE HEADER ASSEMBLY ITEM NO.	PART CHARACTERISTICS FOR RIGHT ANGLE HEADER					PACKAGING SPECIFICATIONS	RT. ANGLE HEADER ASSEMBLY ITEM NO.	PART CHARACTERISTICS FOR RIGHT ANGLE HEADER					PACKAGING SPECIFICATIONS	RT. ANGLE HEADER ASSEMBLY ITEM NO.	PART CHARACTERISTICS FOR RIGHT ANGLE HEADER					PACKAGING SPECIFICATIONS	RT. ANGLE HEADER ASSEMBLY ITEM NO.	PART CHARACTERISTICS FOR RIGHT ANGLE HEADER					PACKAGING SPECIFICATIONS	RT. ANGLE HEADER ASSEMBLY ITEM NO.	PART CHARACTERISTICS FOR RIGHT ANGLE HEADER					PACKAGING SPECIFICATIONS																																																																																																																																																																																																																																																																																																																																																																																																																																																																																																																																																																																																																																																																																																																																																																																																																														
		CIRCUIT SIZE	HSG. MAT'L (SEE NOTE 1)	SOLDER TAIL	LOCK NOTE 10	BOARD LOCK			CIRCUIT SIZE	HSG. MAT'L (SEE NOTE 1)	SOLDER TAIL	LOCK NOTE 10	BOARD LOCK			CIRCUIT SIZE	HSG. MAT'L (SEE NOTE 1)	SOLDER TAIL	LOCK NOTE 10	BOARD LOCK			CIRCUIT SIZE	HSG. MAT'L (SEE NOTE 1)	SOLDER TAIL	LOCK NOTE 10	BOARD LOCK			CIRCUIT SIZE	HSG. MAT'L (SEE NOTE 1)	SOLDER TAIL	LOCK NOTE 10	BOARD LOCK			CIRCUIT SIZE	HSG. MAT'L (SEE NOTE 1)	SOLDER TAIL	LOCK NOTE 10	BOARD LOCK		CIRCUIT SIZE	HSG. MAT'L (SEE NOTE 1)	SOLDER TAIL	LOCK NOTE 10	BOARD LOCK																																																																																																																																																																																																																																																																																																																																																																																																																																																																																																																																																																																																																																																																																																																																																																																																																									
	43160-1102	2	A	SHORT	NO	N/A	PK-43160-0010	43160-1104	4	A	SHORT	NO	N/A	PK-43160-0010	43160-1106	6	A	SHORT	NO	N/A	PK-43160-0010	43160-1202	2	B	SHORT	NO	N/A	PK-43160-0010	43160-1204	4	B	SHORT	NO	N/A	PK-43160-0010	43160-1206	6	B	SHORT	NO	N/A	PK-43160-0010	43160-1302	2	A	LONG	NO	N/A	PK-43789-001	43160-1304	4	A	LONG	NO	N/A	PK-43789-001	43160-1306	6	A	LONG	NO	N/A	PK-43789-001	43160-1402	2	B	LONG	NO	N/A	PK-43789-001	43160-1404	4	B	LONG	NO	N/A	PK-43789-001	43160-1406	6	B	LONG	NO	N/A	PK-43789-001	43160-1502	2	A	SHORT	YES	N/A	PK-43160-0010	43160-1504	4	A	SHORT	YES	N/A	PK-43160-0010	43160-1506	6	A	SHORT	YES	N/A	PK-43160-0010	43160-1602	2	B	SHORT	YES	N/A	PK-43160-0010	43160-1604	4	B	SHORT	YES	N/A	PK-43160-0010	43160-1606	6	B	SHORT	YES	N/A	PK-43160-0010	43160-1702	2	A	LONG	YES	N/A	PK-43789-001	43160-1704	4	A	LONG	YES	N/A	PK-43789-001	43160-1706	6	A	LONG	YES	N/A	PK-43789-001	43160-1802	2	B	LONG	YES	N/A	PK-43789-001	43160-1804	4	B	LONG	YES	N/A	PK-43789-001	43160-1806	6	B	LONG	YES	N/A	PK-43789-001	43160-3102	2	A	SHORT	NO	.062	PK-43789-001	43160-3104	4	A	SHORT	NO	.062	PK-43789-001	43160-3106	6	A	SHORT	NO	.062	PK-43789-001	43160-3202	2	B	SHORT	NO	.062	PK-43789-001	43160-3204	4	B	SHORT	NO	.062	PK-43789-001	43160-3206	6	B	SHORT	NO	.062	PK-43789-001	43160-3502	2	A	SHORT	YES	.062	PK-43789-001	43160-3504	4	A	SHORT	YES	.062	PK-43789-001	43160-3506	6	A	SHORT	YES	.062	PK-43789-001	43160-3602	2	B	SHORT	YES	.062	PK-43789-001	43160-3604	4	B	SHORT	YES	.062	PK-43789-001	43160-3606	6	B	SHORT	YES	.062	PK-43789-001	43160-5102	2	A	SHORT	NO	.094	PK-43789-001	43160-5104	4	A	SHORT	NO	.094	PK-43789-001	43160-5106	6	A	SHORT	NO	.094	PK-43789-001	43160-5202	2	B	SHORT	NO	.094	PK-43789-001	43160-5204	4	B	SHORT	NO	.094	PK-43789-001	43160-5206	6	B	SHORT	NO	.094	PK-43789-001	43160-5302	2	A	LONG	NO	.094	PK-43789-001	43160-5304	4	A	LONG	NO	.094	PK-43789-001	43160-5306	6	A	LONG	NO	.094	PK-43789-001	43160-5402	2	B	LONG	NO	.094	PK-43789-001	43160-5404	4	B	LONG	NO	.094	PK-43789-001	43160-5406	6	B	LONG	NO	.094	PK-43789-001	43160-5502	2	A	SHORT	YES	.094	PK-43789-001	43160-5504	4	A	SHORT	YES	.094	PK-43789-001	43160-5506	6	A	SHORT	YES	.094	PK-43789-001	43160-5602	2	B	SHORT	YES	.094	PK-43789-001	43160-5604	4	B	SHORT	YES	.094	PK-43789-001	43160-5606	6	B	SHORT	YES	.094	PK-43789-001	43160-5702	2	A	LONG	YES	.094	PK-43789-001	43160-5704	4	A	LONG	YES	.094	PK-43789-001	43160-5706	6	A	LONG	YES	.094	PK-43789-001	43160-5802	2	B	LONG	YES	.094	PK-43789-001	43160-5804	4	B	LONG	YES	.094	PK-43789-001	43160-5806	6	B	LONG	YES	.094	PK-43789-001	43160-7302	2	A	LONG	NO	.125	PK-43789-001	43160-7304	4	A	LONG	NO	.125	PK-43789-001	43160-7306	6	A	LONG	NO	.125	PK-43789-001	43160-7402	2	B	LONG	NO	.125	PK-43789-001	43160-7404	4	B	LONG	NO	.125	PK-43789-001	43160-7406	6	B	LONG	NO	.125	PK-43789-001	43160-7702	2	A	LONG	YES	.125	PK-43789-001	43160-7704	4	A	LONG	YES	.125	PK-43789-001	43160-7706	6	A	LONG	YES	.125	PK-43789-001	43160-7802	2	B	LONG	YES	.125	PK-43789-001	43160-7804	4	B	LONG	YES	.125	PK-43789-001	43160-7806	6	B	LONG	YES	.125	PK-43789-001	43160-1103	3	A	SHORT	NO	N/A	PK-43160-0010	43160-1105	5	A	SHORT	NO	N/A	PK-43160-0010	43160-1203	3	B	SHORT	NO	N/A	PK-43160-0010	43160-1205	5	B	SHORT	NO	N/A	PK-43160-0010	43160-1303	3	A	LONG	NO	N/A	PK-43789-001	43160-1305	5	A	LONG	NO	N/A	PK-43789-001	43160-1403	3	B	LONG	NO	N/A	PK-43789-001	43160-1405	5	B	LONG	NO	N/A	PK-43789-001	43160-1503	3	A	SHORT	YES	N/A	PK-43160-0010	43160-1505	5	A	SHORT	YES	N/A	PK-43160-0010	43160-1603	3	B	SHORT	YES	N/A	PK-43160-0010	43160-1605	5	B	SHORT	YES	N/A	PK-43160-0010	43160-1703	3	A	LONG	YES	N/A	PK-43789-001	43160-1705	5	A	LONG	YES	N/A	PK-43789-001	43160-1803	3	B	LONG	YES	N/A	PK-43789-001	43160-1805	5	B	LONG	YES	N/A	PK-43789-001	43160-3103	3	A	SHORT	NO	.062	PK-43789-001	43160-3105	5	A	SHORT	NO	.062	PK-43789-001	43160-3203	3	B	SHORT	NO	.062	PK-43789-001	43160-3205	5	B	SHORT	NO	.062	PK-43789-001	43160-3503	3	A	SHORT	YES	.062	PK-43789-001	43160-3505	5	A	SHORT	YES	.062	PK-43789-001	43160-3603	3	B	SHORT	YES	.062	PK-43789-001	43160-3605	5	B	SHORT	YES	.062	PK-43789-001	43160-5103	3	A	SHORT	NO	.094	PK-43789-001	43160-5105	5	A	SHORT	NO	.094	PK-43789-001	43160-5203	3	B	SHORT	NO	.094	PK-43789-001	43160-5205	5	B	SHORT	NO	.094	PK-43789-001	43160-5303	3	A	LONG	NO	.094	PK-43789-001	43160-5305	5	A	LONG	NO	.094	PK-43789-001	43160-5403	3	B	LONG	NO	.094	PK-43789-001	43160-5405	5	B	LONG	NO	.094	PK-43789-001	43160-5503	3	A	SHORT	YES	.094	PK-43789-001	43160-5505	5	A	SHORT	YES	.094	PK-43789-001	43160-5603	3	B	SHORT	YES	.094	PK-43789-001	43160-5605	5	B	SHORT	YES	.094	PK-43789-001	43160-5703	3	A	LONG	YES	.094	PK-43789-001	43160-5705	5	A	LONG	YES	.094	PK-43789-001	43160-5803	3	B	LONG	YES	.094	PK-43789-001	43160-5805	5	B	LONG	YES	.094	PK-43789-001	43160-7303	3	A	LONG	NO	.125	PK-43789-001	43160-7305	5	A	LONG	NO	.125	PK-43789-001	43160-7403	3	B	LONG	NO	.125	PK-43789-001	43160-7405	5	B	LONG	NO	.125	PK-43789-001	43160-7703	3	A	LONG	YES	.125	PK-43789-001	43160-7705	5	A	LONG	YES	.125	PK-43789-001	43160-7803	3	B	LONG	YES	.125	PK-43789-001	43160-7805	5	B	LONG	YES	.125	PK-43789-001

SEE SHEET ONE EC NO. UCP2005-2388 2005/05/25 G'DRINKS/STEWART CHK'D/BI/RIOUS 2005/05/25 APPR:BI/RIOUS 2005/05/25	QUALITY SYMBOLS $\nabla=0$ $\nabla=0$	GENERAL TOLERANCES (UNLESS SPECIFIED) 4 PLACES ± .005 3 PLACES ± .01 2 PLACES ± 0.13 1 PLACE ± 0.25 ANGULAR ±1/2°	DIMENSION STYLE IN/MM DRAWN BY DATE GC 11/30/95 CHECKED BY DATE KBP 11/30/95 APPROVED BY DATE RAS 11/30/95	SCALE 1:1 DESIGN UNITS INCH THIRD ANGLE PROJECTION	TITLE SABRE HEADER ASSY RT. ANGLE, 2-6 & 8 CIR. .125/(3.18)X.020/(0.51)	MATERIAL NO. SEE CHART MUST REMAIN WITHIN DIMENSIONS	DOCUMENT NO. SDA-43160-****	SHEET NO. 5 OF 6
	THIS DRAWING CONTAINS INFORMATION THAT IS PROPRIETARY TO MOLEX INCORPORATED AND SHOULD NOT BE USED WITHOUT WRITTEN PERMISSION							
	DRAFT WHERE APPLICABLE MUST REMAIN WITHIN DIMENSIONS							
	SEE CHART							