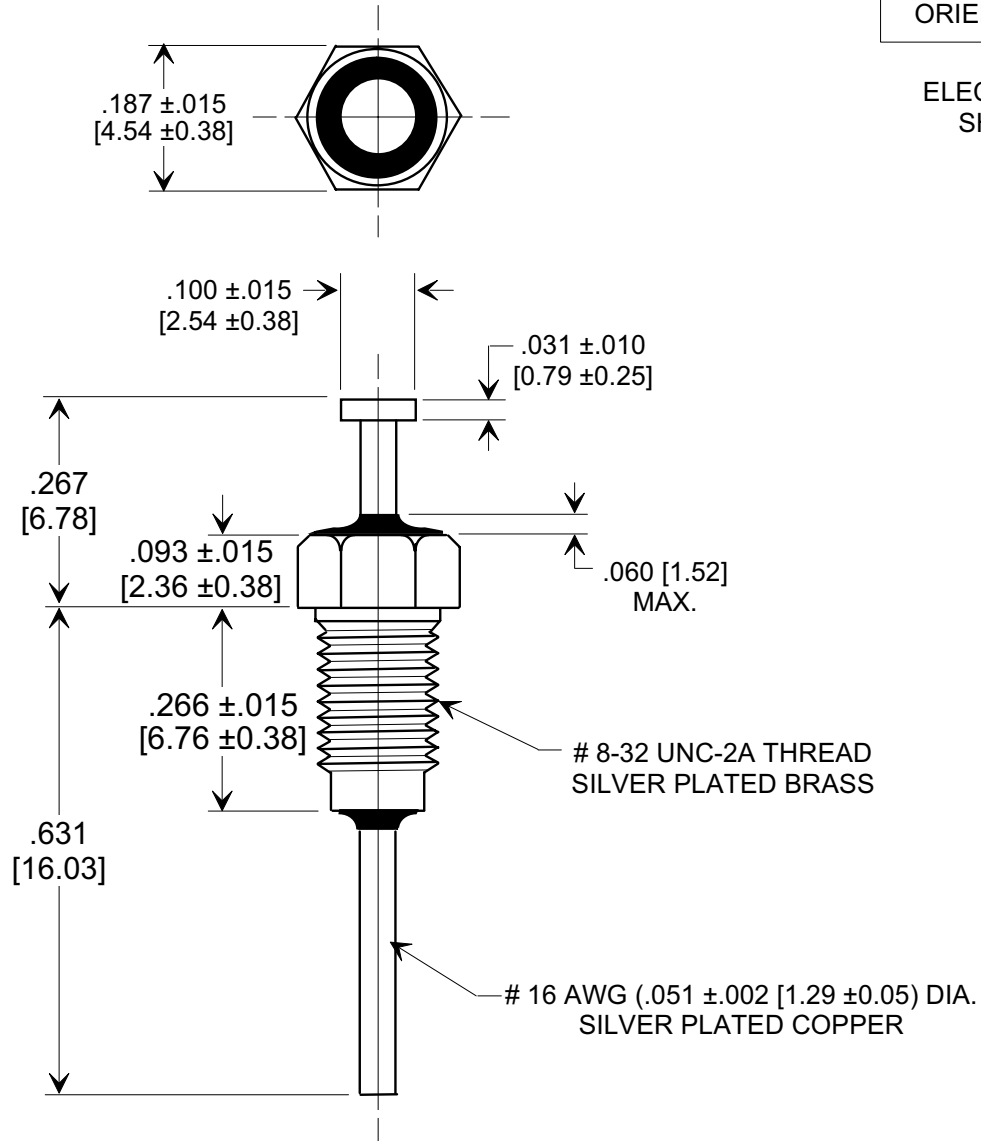
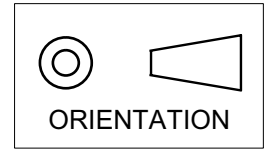


Electrical Testing  
per Tusonix standard  
test plans and Mil-Std-202  
Test Methods.

**MARKETING SALES DRAWING**  
DIMENSIONS IN INCHES - DO NOT SCALE THIS DRAWING  
DIMENSIONS IN METRIC - [ ]



ELECTRICAL  
SHORT

ELECTRICAL SHORT

NOTES:

1. SUPPLIED WITH SILVER PLATED HEX NUT AND LOCKWASHER.
2. TUSONIX STANDARD PART NUMBER: 4201-067.  
TUSONIX RoHS COMPLIANT PART NUMBER: 4201-067 LF.  
CUSTOMER MUST SPECIFY STANDARD OR RoHS PART NUMBER WHEN ORDERING.
3. PART MARKING: TRADEMARK AND VARIATION NUMBER ON HEX FLATS.  
STANDARD PART: BLACK INK. RoHS PART: GREEN INK.

<b>REVISION RECORD</b>	Original Release C.O. <b>970626-3</b>	0	<b>TUSONIX</b> TUCSON, ARIZONA	--TOLERANCES-- Unless Otherwise Specified	Title <b>BUSHING STYLE EMI FILTER</b>		
	ADDED NOTES 2 & 3 AND METRIC. S.M. 07-28-05			1	DECIMAL ± .031 [0.79]	Drawn <b>S.M. 06-26-97</b>	
	<b>20050726-2-33</b>			1	ANGLES ±	Approved <b>H.R. 06-26-97</b>	
	<b>20050726-2-33</b>			1	<b>A</b>		<b>4201-067</b>